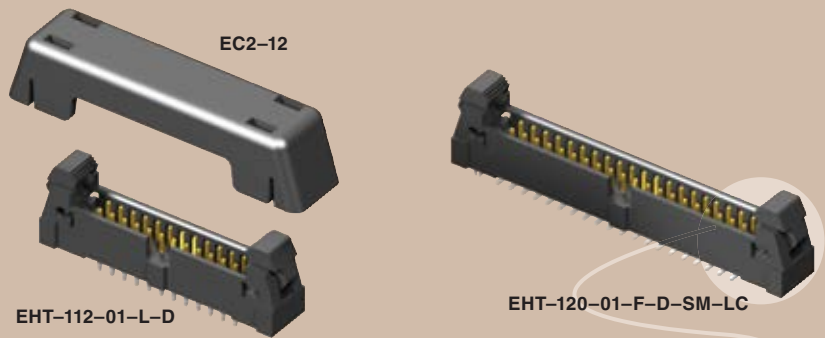


(2,00 mm) .0787"

EHT, EC2 SERIES



SHROUDED IDC EJECTOR HEADER

SPECIFICATIONS

For complete specifications and recommended PCB layouts see www.samtec.com?EHT

Insulator Material: Black Liquid Crystal Polymer



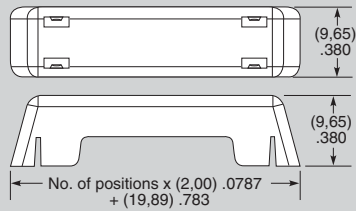
Terminal Material: Phosphor Bronze
Plating: Sn or Au over 50µ" (1,27 µm) Ni
Current Rating: 3A per contact @ 80°C ambient
Operating Temp Range: -55°C to +125°C
RoHS Compliant: Yes

Processing:
Lead-Free Solderable: Yes
SMT Lead Coplanarity: (0,10 mm) .004" max

Mates with: TCSD

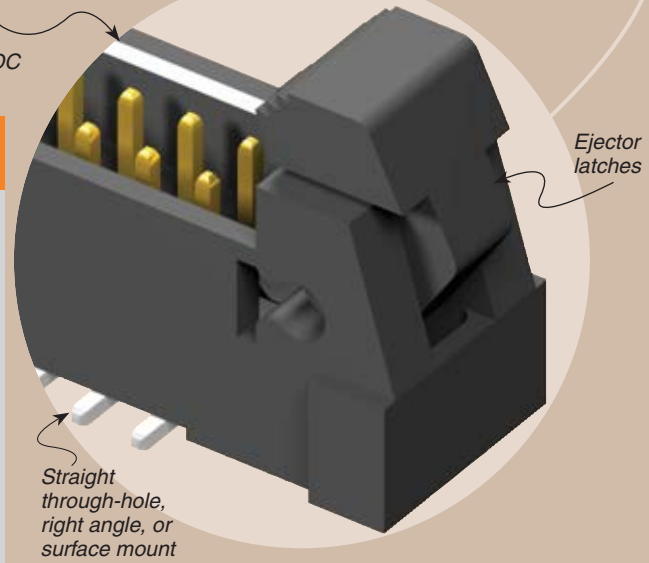
Ten standard sizes mate with common 2 mm IDC cable assemblies

EJECTOR HEADER CAP (Locks TCSD cable to EHT header)



EC2 — **NO. PINS PER ROW**

05, 08, 10, 12, 13, 15, 17, 20, 22, 25

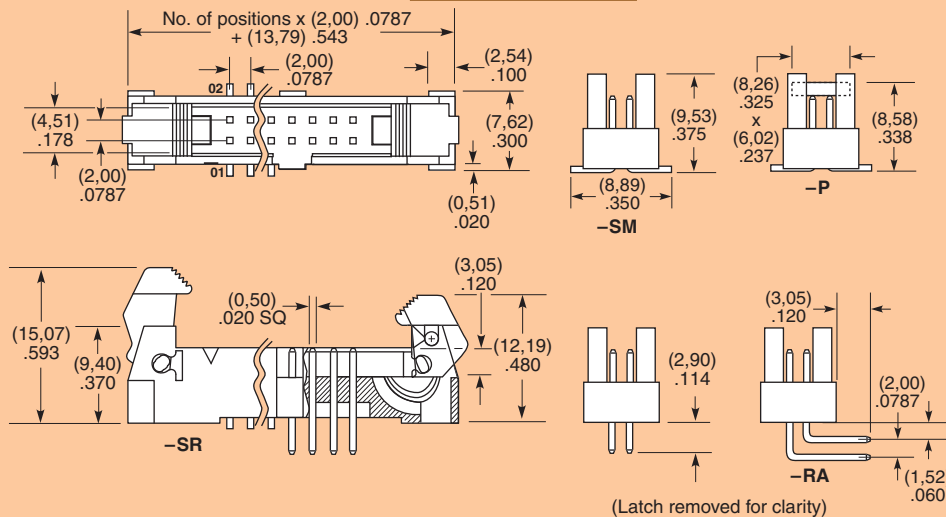


05, 08, 10, 12, 13, 15, 17, 20, 22, 25

-F = Gold flash on post, Matte Tin on tail
-L = 10µ" (0,25 µm) Gold on post, Matte Tin on tail

Leave blank for Through-hole
-RA = Right Angle
-SM = Surface Mount

-“XX” = Polarized Position
-SR = Strain Relief (Leave Blank for no strain relief)
-LC = Locking Clip (-SM only) (Manual placement required)
-K = (6,50 mm) .256" DIA Polyimide Film Pick & Place Pad (-SM only)
-P = Pick & Place Pad (-SM only)
-TR = Tape & Reel (-SM only)



Note: Other Gold plating options available. Contact Samtec.

Note: Some lengths, styles and options are non-standard, non-returnable.

Due to technical progress, all designs, specifications and components are subject to change without notice.

WWW.SAMTEC.COM

X-ON Electronics

Largest Supplier of Electrical and Electronic Components

Click to view similar products for [Headers & Wire Housings](#) category:

Click to view products by [Samtec](#) manufacturer:

Other Similar products are found below :

[95000-104TRLF](#) [10135584-644402LF](#) [DF62W-EP2022PCA](#) [95000-106TRLF](#) [DF62W-2022SCA](#) [DF62W-EP2022PC](#) [2203348](#) [DF62W-2022SC](#) [1084018](#) [1029039](#) [1084017](#) [802-10-012-10-002000](#) [1112640](#) [1112639](#) [891-007-9SS-BST1T](#) [000-34000](#) [0008550134](#) [0009482033](#) [0009507031](#) [57102-F02-18ULF](#) [57102-S06-03LF](#) [57202-S52-04LF](#) [PCN6-15S-2.5E](#) [0039019024](#) [58102-G61-06LF](#) [582553-1](#) [0009485154](#) [0009508121](#) [0022285053](#) [0050291907](#) [018731A](#) [LY20-4P-DT1-P1E-BR](#) [02.125.8002.8](#) [60101931](#) [60598-1 \(Cut Strip\)](#) [M1625-3R/100](#) [61062-3](#) [61082-181009](#) [CSU011177004](#) [636-1427](#) [638009-1](#) [641938-9](#) [641991-4](#) [644168-1](#) [644827-2](#) [647662-1](#) [65039-019ELF](#) [65692-001LF](#) [65781-018](#) [65781-047](#)