

Dialight

POWERWHITE

CIRCULAR LED MODULES

AR111/AR111-LV



APPLICATION

- ▲ Spot lighting
- ▲ Accent lighting
- ▲ General illumination
- ▲ Interior use only
- ▲ Architectural lighting
- ▲ Machine vision
- ▲ Display cases

Product designed to fit the majority of AR111 housings.
Depth of housing should be checked for compatibility.

ORDERING INFORMATION

AR111-LV-AA-BB	
<p>Typical Colour (AA) Temperature</p> <p>CW = 5000K – 6350K</p> <p>NW = 3800K – 4100K</p> <p>WW = 2850K – 3250K</p>	<p>Options</p> <p>Blank = no onboard driver</p> <p>LV = with onboard driver</p>
<p>Optic (BB)</p> <p>SP = 7 degree spot</p> <p>WD = 13 degree wide</p> <p><i>All angles are half divergence</i></p>	

Dialight Europe Ltd

Exning Road • Newmarket • Suffolk, United Kingdom, CB8 0AX
Tel :+44 (0)1638 666541 • www.dialight.com

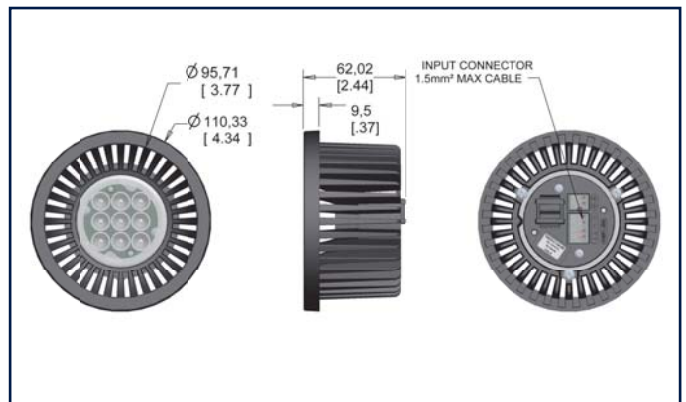
FEATURES / BENEFITS

- ▲ Utilizes 9 premium flux LUXEON® Rebel™ LEDs, 100+ lumens for cool white, 100+ lumens for neutral white and 50+ lumens for warm white
- ▲ ETL recognized to UL standards (pending)
- ▲ Available in choice of colours & colour temperatures
- ▲ Quick connect terminal blocks for easy installation
- ▲ >70% lumen maintenance @ 50,000 hours at max operating temperature. Better at lower operating temps!

MATERIALS / FINISH

- ▲ **Connection** - Cage Clamp Connectors
- ▲ **Optics** - Dialight-Lumidrives Optics
- ▲ **Lens Cover** - Polycarbonate 143R
- ▲ **Rear Cover** - Polycarbonate 143R
- ▲ **Heatsink** - ADC10 Aluminum Alloy, Black Anodised Finish

MECHANICAL DIMENSIONS



Diameter x H
110.33mm x 62.02mm (4.34" x 2.44")
Maximum Cable Dia - 1.5mm² / 16 AWG

Dialight Corporation

1501 Route 34 South • Farmingdale, NJ 07727 USA
Tel: (1) 732-919-3119 • Fax: (1) 732-751-5778 • www.dialight.com

MDEXLUMAR111_A

OPERATING CHARACTERISTICS

Model / Color	Typical Total Lumen Output		Power Consumption		Drive Current / Operating Current	Input Voltage
	350mA / LV	700mA	350mA / LV	700mA	mA	
AR111 / CW	900	1620	10.8W	21.6W	350 - 700	*30 -36VDC
AR111 / NW	900	1620				
AR111 / WW	450	855				
AR111-LV / CW	900	-	11.0W	-	**1.0A - 500mA	12-24VDC 11-16VAC
AR111-LV / NW	900	-				
AR111-LV / WW	450	-				

Note: Lumen output based on manufacturers data

*Based on max Vf of 4.0V

**1.2A for initial switch on

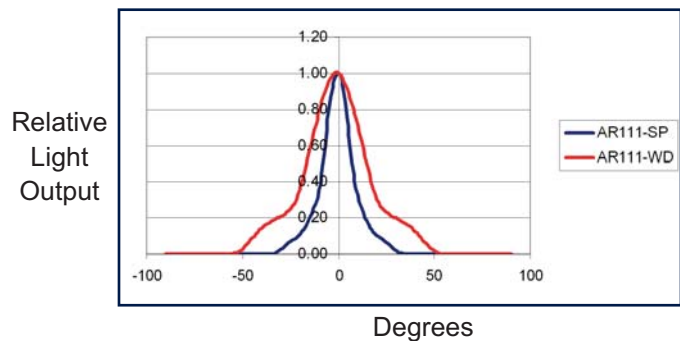
COMPATIBLE DRIVERS

Compatible Dialight Lumidrive Constant Current Drivers:-				Compatible Dialight Lumidrive Constant Voltage AC/DC Drivers:-			
Driver	350mA	700mA	NO. OF UNITS	Driver	12V	24V	NO. OF UNITS
MDU 9 (MDU9-SC-35-70)	✓	✗	1	MULTIDRIVER (MLD8-C-35-70)	✓	✗	1
MINIDIM 70 (MND70)	✓	✗	1	MVDU100-12-P	✓	N/A	1— 8
36W 700mA IP65 Driver (MCDU36-700-P)	✗	✓	1	MVDU100-24-P	N/A	✓	1— 5

OPERATING CONDITIONS

- ▲ Operating ambient temperature -20°C to +40°C
- ▲ AR111 requires constant current driver
AR111-LV requires constant voltage driver
(See compatibility list)
- ▲ Max drive current 700mA (constant current version)
- ▲ IP20 rating

PHOTOMETRIC DATA



Dialight Europe Ltd

Exning Road • Newmarket • Suffolk, United Kingdom, CB8 0AX

Tel :+44 (0)1638 666541 • www.dialight.com



Dialight Corporation

1501 Route 34 South • Farmingdale, NJ 07727 USA

Tel: (1) 732-919-3119 • Fax: (1) 732-751-5778 • www.dialight.com



Datasheet subject to change without notice.

Please visit www.dialight.com for updates.

MDEXLUMAR111_A

X-ON Electronics

Largest Supplier of Electrical and Electronic Components

Click to view similar products for [dialight](#) manufacturer:

Other Similar products are found below :

[5131701604](#) [568-0103-232F](#) [568-0734-832F](#) [5690101111](#) [5700100111](#) [585-4215](#) [585-4413](#) [586-0012-806F](#) [586-220B-204F](#) [5922121013F](#)
[598-8030-102F](#) [598-8260-102F](#) [598-8310-102F](#) [598-8320-107F](#) [598-8540-202F](#) [5989210102F](#) [004-1830-29-207](#) [607-1312-320F](#) [607-3332-320F](#) [609-1212-130](#) [609-1312-320F](#) [609-2112-130](#) [62031RB](#) [CT2-C](#) [749-0705-001](#) [811-0332-500](#) [812-0971](#) [908-1532](#) [908-1534](#) [123-1235-403](#) [124-0111-403](#) [DLL434CT](#) [181-11A](#) [199-5261](#) [250-1475-500](#) [922-1525-525](#) [LC32WT2](#) [LLT-3B](#) [LML-6LVC-WWD](#) [169-1131-303](#)
[178-0375-500](#) [180-01AB-811](#) [181-11R](#) [181-8536-0937-503](#) [187-1876](#) [239-0334-500](#) [249-4168-3334-504](#) [250-1633-500](#) [252-9951-0973-811](#)
[302-3471](#)