



T O M I C S. A.

ŻUROMIN POLAND

Factory and Sales

TOMIC s.A.

ul. Żeromskiego 76/82

09-300 Żuromin POLAND

tel.: +48 23 657 31 61

fax.: +48 23 657 24 07

www.tomic.pl

Thermal cut – out AR03, AR33



Thermal cut-out type AR offers proven reliability in a compact, cost-effective design. The snap action of the bimetal disc provides excellent contact separation at electrical load 16 A.

DIN EN ISO 9001:2008

VDE Testing and Certification Institute

QUALITY & EXPERIENCE SINCE 1979



Standard Specifications

- Contact configuration: normally closed
- Rated current: 16A
- Range of rated switching temperatures: 60°C - 180°C
- Switching differential: 30 ± 15 K / manual reset
- Switching temperature tolerance: ±5K / ±10K

Sample Applications

- Boilers
- Ovens
- Heaters
- Washing machines
- Dryers
- Steam cleaners

Features

- Available in automatic and manual reset
- Available in various mounting configuration

Marketing & Sales In Western Europe

ALBOL

Albol Electronic & Mechanical Products Ltd.
159 Ravenscroft Road; Beckenham
Kent BR3 4TN England (UK)
tel: 0044 208 776 5280/89
fax: 0044 208 659 7501
e-mail: albol@btconnect.com
www.albol.co.uk

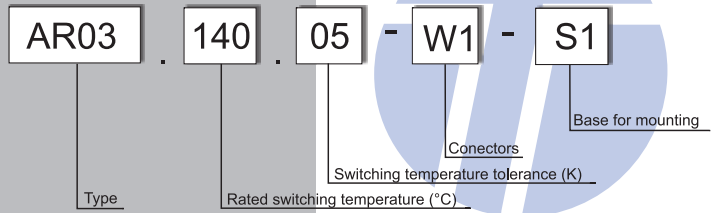


Thermal cut – out AR03, AR33

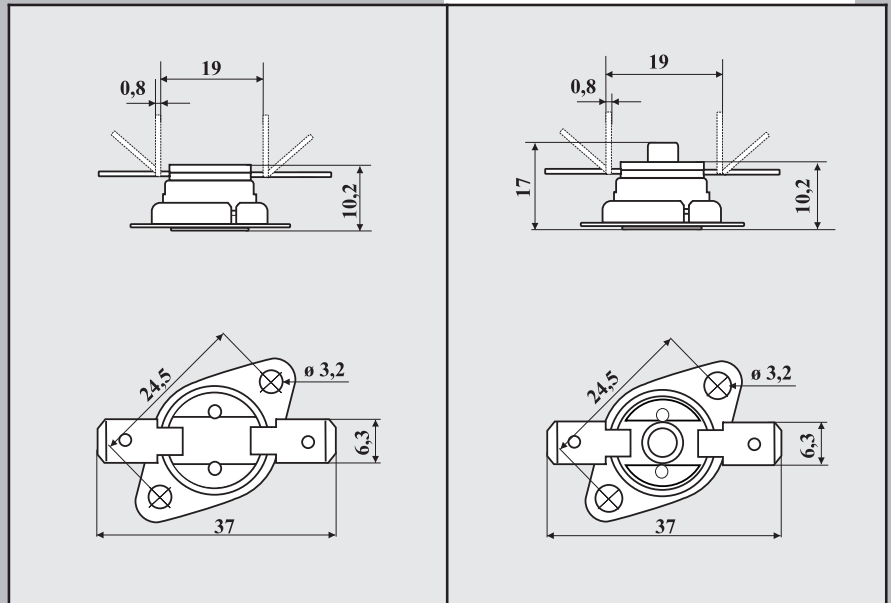
Marking



Ordering example



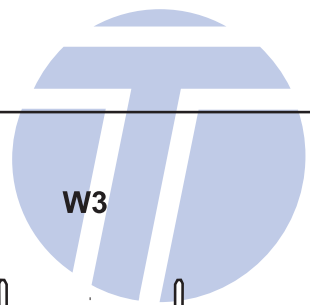
Electrical scheme



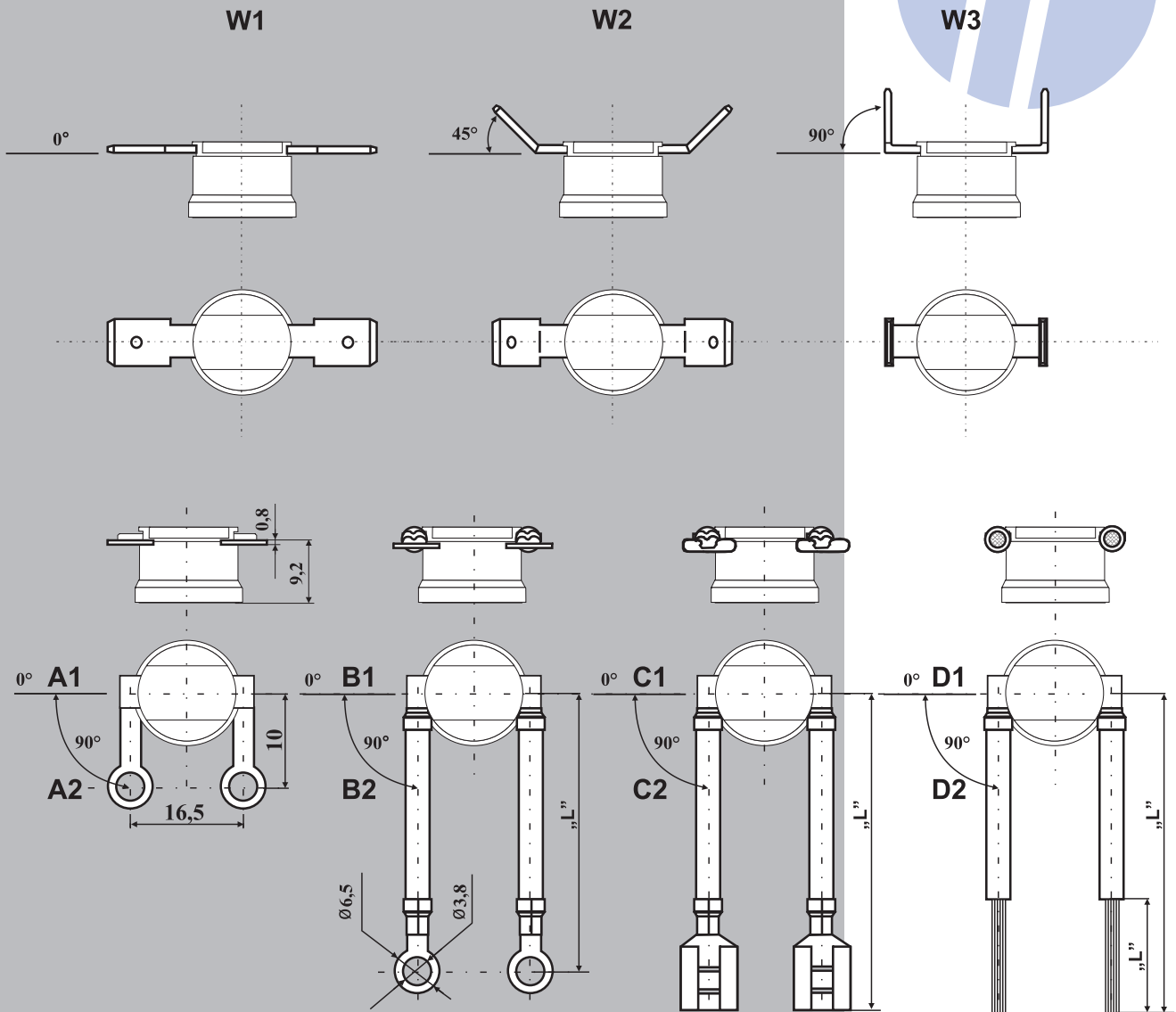
Type of thermal cut-out	AR03	AR33
Contact	SPST, normally closed	
Rated voltage	250V; AC	
Rated current of resistance loading $I_{zn}, \cos\phi = 1,0$ of resistance and induction loading $I_x, \cos\phi = 0,6$	16 A 6 A	
Number of switching cycles at rating loading	3 000 cycles	
Range of rated switching temperatures	50°C - 180°C	
Switching temperature tolerance (standard)	±5K / ±10K	
Switching differential	30 ± 15 K	manual reset
Speed of temperature changes	0,5 ÷ 1K / min	
Thermal resistance	max 210°C / 1min	
Degree of protection	IP 00	
Degree of pollution (acc. to EN-60730-1)	2	
PTI of material used for insulation	250 V	
Rated impulse voltage	2500 V; 50 Hz	
Contact resistance	max 20 mΩ	
Construction	for incorporation in class I equipment	

Thermal cut – out AR03, AR33

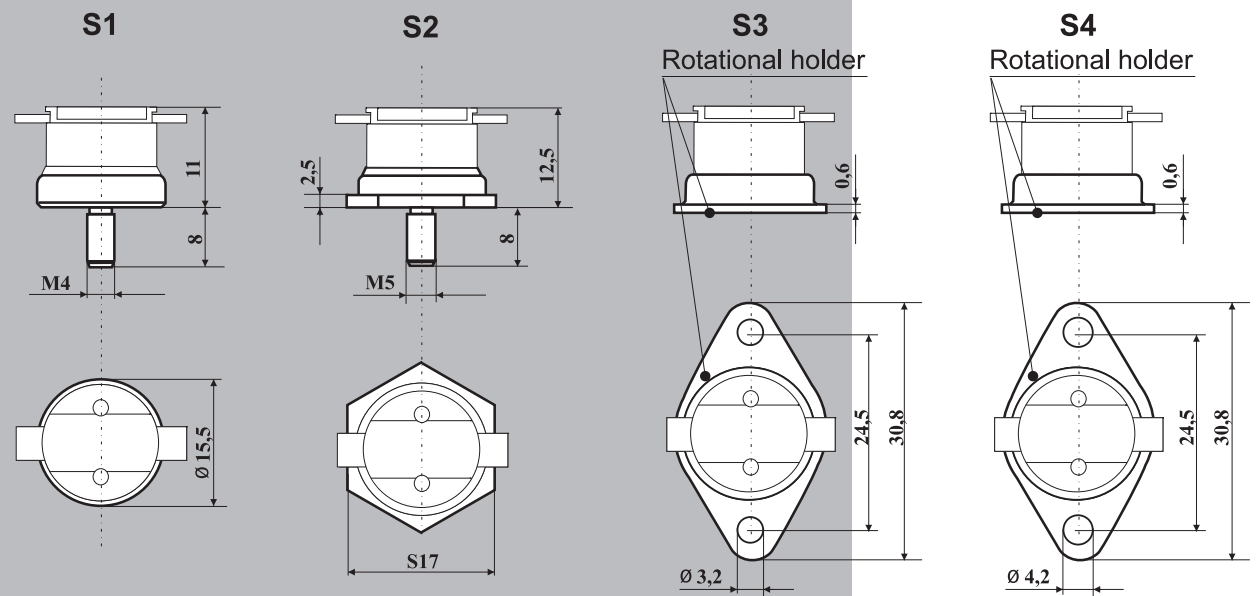
Options:



Connectors:



Base:





TOMIC s.A.
ul.Żeromskiego 76/82
09-300 Żuromin POLAND
tel.:+48 23 657 31 61
fax.:+48 23 657 24 07
www.tomic.pl

X-ON Electronics

Largest Supplier of Electrical and Electronic Components

Click to view similar products for [Thermostats](#) category:

Click to view products by [Tomic](#) manufacturer:

Other Similar products are found below :

[66F060-0099](#) [66F060-0396](#) [66L085-0477](#) [67F080-0356](#) [67L060-0368](#) [67L080-0038](#) [77877-00](#) [ASP200-22](#) [22636-00](#) [2450 00210626](#) [2450 00880010](#) [2450RC 79080002](#) [2455R--01000844](#) [2455R 80580176](#) [2455R 81610172](#) [2455R--90820376](#) [2455RA-94170955](#) [2455RC-00980620](#) [2455RCG81170352](#) [2455RM03090005](#) [2455RM 80820736](#) [2455RM-90980499](#) [2455RP-91000430](#) [2455RP-91000433](#) [2455RP-91000436](#) [2455RP-91000442](#) [300004530001](#) [300100140436](#) [300100630004](#) [3001 00830006](#) [2450G 83950014](#) [2450RC-90820307](#) [2455R--00030829](#) [2455R--01000140](#) [2455R 80820813](#) [2455R 80820815](#) [2455R 86890009](#) [2455R--99130436](#) [2455RA-04170929](#) [2455RBV00290011](#) [2455RC-01000545](#) [2455RM 80820767](#) [300000460015](#) [300005510124](#) [300100240048](#) [310000011390](#) [310000030602](#) [310000031798](#) [310000560067](#) [310000010552](#)