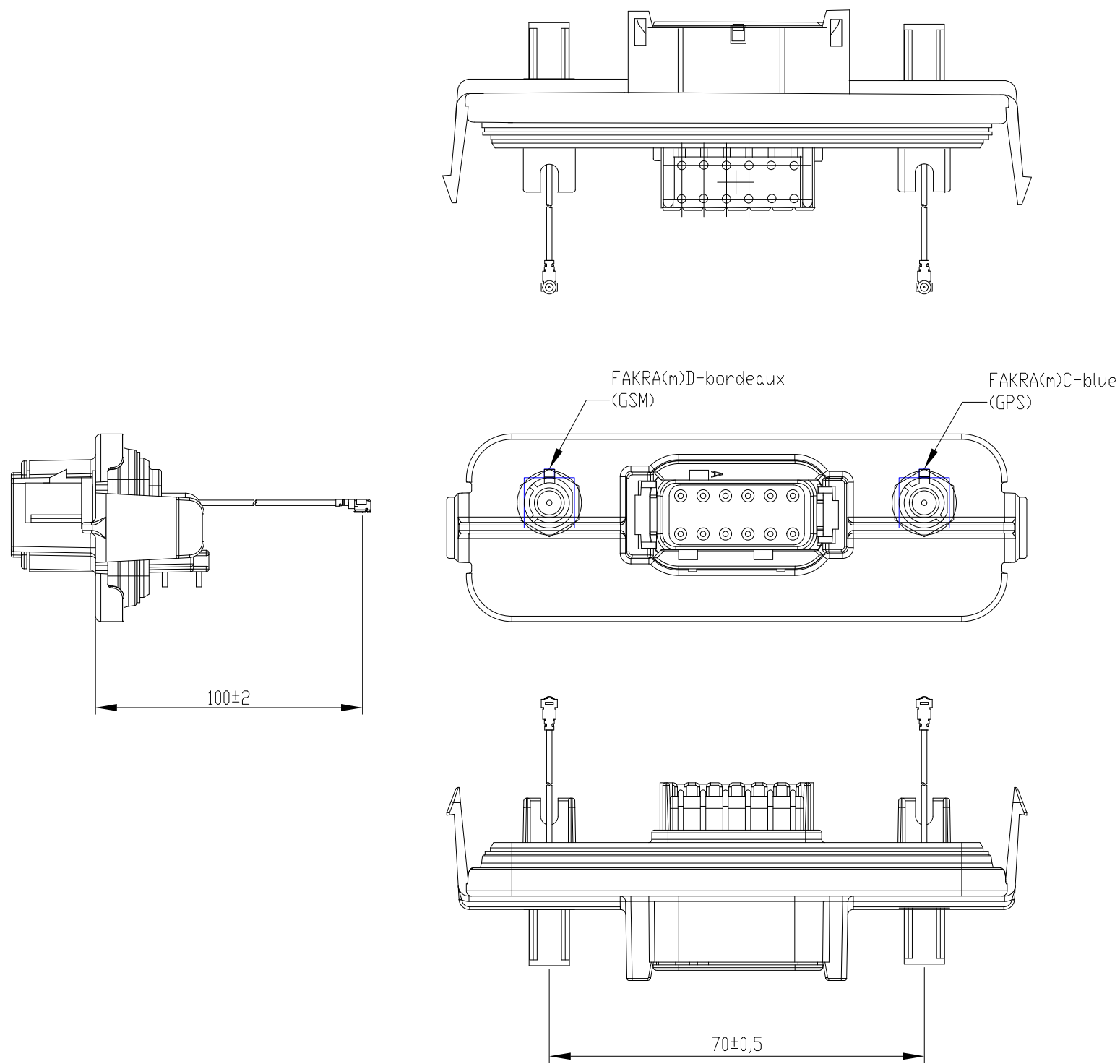


Offenders will be held liable for the payment of damages. All rights reserved in the event of the grant of a patent, utility model or ornamental design registration.

The copying, distribution and utilization of this document as well as the communication of its contents to others without expressed authorization is prohibited.



1. Dimensions are in mm
2. Dimension tolerance ± 0.025 mm
3. Contact plating - mating side: nickel; PCB side: tin
4. Material- black plastic; seals: rubber
5. This EEC Box receptacle mates with DTM06-12SA-*** plug
6. This receptacle is used with EEC-325X4(A or B)-****
7. Contacts #20 rating: 7.5A continuous each
8. For detailed dimensions see drawing ENG_CD_DTM13-12PX-R008

Applicable for:		Tolerances		Surface		Scale 1:1		Projection		
EEC Box System for profi electronics		DIN 16 901 - 140				---				
			Date	Name		Title description				
			Drawn	21.9.2015	JKI		Receptacle 12 contacts #20 with 2xFAKRA connectors integrated for GSM/GPS telemetry			
			Chk.							
			Modified	30.01.2017	JKI					
							Drawing No.		Sheet /Sheets	
							DTM13-12PA-R201		1/1	
Rev	Change	Date	Name		File: dtm13 pro EEC_Incon.dwg					

X-ON Electronics

Largest Supplier of Electrical and Electronic Components

Click to view similar products for [Automotive Connectors](#) category:

Click to view products by [TE Connectivity](#) manufacturer:

Other Similar products are found below :

[003-018-000](#) [600858](#) [60403001](#) [60993906-B](#) [60993913-B](#) [629515004020001](#) [M902-2131](#) [M902-2161](#) [M902-2344](#) [72.330.1035.1](#)
[73.353.4028.0](#) [F118010](#) [F119300-B](#) [F132210](#) [F132210-B](#) [F166900](#) [F180100](#) [F258300](#) [F258300-B](#) [F294300-B](#) [F339100](#) [F339700](#) [F358300-](#)
[B](#) [F374110](#) [F407400](#) [F412210](#) [F427600](#) [F444110](#) [F487000](#) [F495100-B](#) [F500900-B](#) [F509500B-B](#) [770444-1](#) [776880-1](#) [827153-1](#) [881735-1](#)
[8N1515-32-24P](#) [9-1326727-8](#) [9-1326729-8](#) [925467-1](#) [925474-1](#) [928905-1](#) [936398-2](#) [964562-1](#) [964562-4](#) [964731-2](#) [965051-1](#) [968782-1](#)
[GT17SA-8DS-HU](#) [GT17VS-10DP-5.2CF](#)