

# TRANSFORMER FOR SPEED CONTROLLER

# ARM



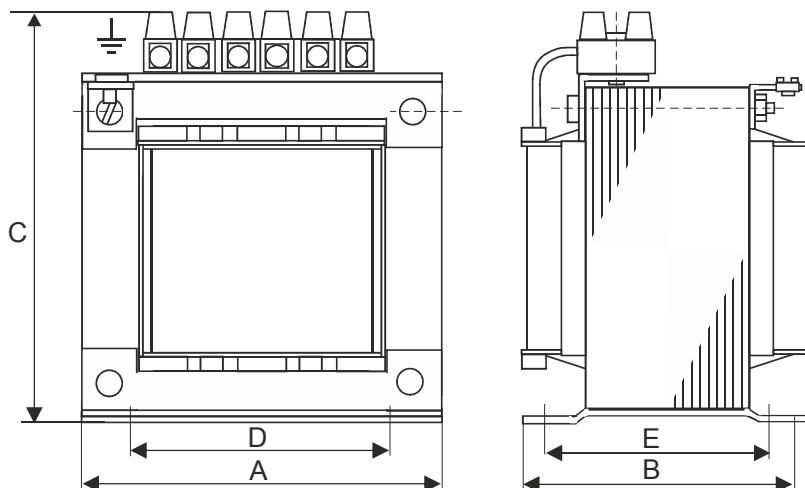
Autotransformer regulators serve the purpose of airflow control, fitted in ventilation and heating systems. The transformers are made with Class I insulation and protection grade IP 00. Maximum ambient temperature 40°C, thermal class of insulation B (130°C). Manufactured in compliance with EN 61558-2-13.



**Rated current SEC:** 1,5 - 14 A

**Supply voltage:** 230 V 50/60 Hz

**Rated voltage SEC:** 5-step regulation (230, 180, 155, 135, 115 V)



Type	Current I <sub>max</sub> [A]	Dimensions [mm]					Mounting	Weight [kg]
		A	B	C	D	E		
ARM 1,5	1,5	84	60	100	64	46	M4	1,60
ARM 2,0	2	84	60	100	64	46	M4	1,60
ARM 3,0	3	84	74	100	64	60	M4	1,90
ARM 5,0	5	96	86	115	84	70	M5	2,60
ARM 7,0	7	120	88	130	90	70	M5	3,80
ARM 10,0	10	120	100	130	90	82	M5	4,70
ARM 12,0	12	135	107	155	104	91	M6	7,20
ARM 14,0	14	150	117	175	122	87	M6	7,80

Because of the constant development of product construction and changes concerning technical requirements, Breve-Tufvassons Company reserves the right to change the parameters mentioned above.



## X-ON Electronics

Largest Supplier of Electrical and Electronic Components

*Click to view similar products for [Autotransformers](#) category:*

*Click to view products by [Breve Tufvassons](#) manufacturer:*

Other Similar products are found below :

[ARM-2.0/3](#) [ESS 104](#) [ESS 120](#) [ARM-3.0/1](#) [ARM-5.0/1](#) [ATS1000VA-230/110V U](#) [ATS1500VA-230/110V U](#) [ATS1500VA-230/110V U+UMS](#) [ATS200VA-230/110V](#) [ATS300VA-230/110V](#) [ATS50VA-230/110V](#) [ATS600VA-230/110V](#) [TS50-230V/115V-001](#) [TS90-230V/115V-002](#) [VP-500VA](#) [OIEA1](#) [OIEA3](#) [OIEA8](#) [VP-2000VA](#) [VP-1000VA](#) [N-1000MG](#) [N-3MG](#) [N-5MG](#) [N-6U](#) [N-150MG](#) [N-2X](#) [N-9MG](#) [110-0F](#) [120-0F](#) [1150-0F](#) [1100-0F](#) [130-0F](#) [125-0F](#) [175-0F](#) [150-0F](#) [115-0F](#) [112-0F](#) [ATS100-230V/115V-001](#) [ATS25-230V/115V-001](#) [ATST1000-230V/115V-001](#) [ATST1000-230V/115V-002](#) [ATST100-230V/115V-001](#) [ATST100-230V/115V-002](#) [ATST1500-230V/115V-002](#) [ATST2000-230V/115V-001](#) [ATST2000-230V/115V-002](#) [ATST200-230V/115V-001](#) [ATST3000-230V/115V-001](#) [ATST3000-230V/115V-002](#) [ATST3500-230V/115V-002](#)