

Fan speed controller with additional functions

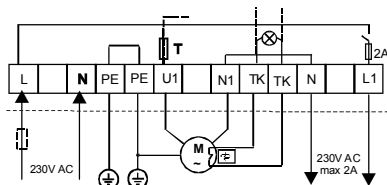
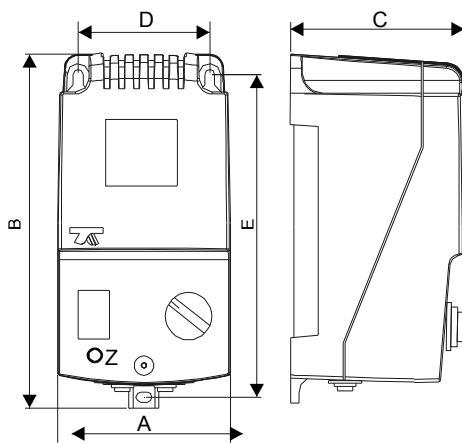
ARW/S

Autotransformer regulators serve the purpose of airflow control, fitted in single-phase ventilation and heating systems. The transformers are made with Class II insulation and protection grade IP 30 or IP 54. The maximum ambient temperature is 40°C and thermal class of insulation B. Manufactured in compliance with EN 61558-2-13.

Notes:

U₁N₁ - fuse protected, regulated output for motor; NL₁ - fuse protected, 2A unregulated 230V voltage; TK - motor protection from overheating (thermal contacts on the motor).

- Rated current SEC : 1,5 - 14A
- Rated voltage PRI : 230 V 50/60 Hz
- Rated voltage SEC : 5step regulation



Type	Art. Nr.	U pri [V]	Current [A]	Step of regulation U _r [V] / I _r [A]					Dimensions [mm]			Weight [kg]
				1	2	3	4	5	A x B x C x D x E x Ø			
ARW 1,5/S	17886-9974	230	1,5	115/1,5	135/1,5	155/1,5	180/1,5	230/1,5	90 x 175 x 95 x 71 x 157 x M4	1,5		
ARW 2,0/S IP54	17886-9959	230	2,0	115/1,2	135/1,4	155/1,8	180/2,0	230/2,0	90 x 175 x 95 x 71 x 157 x M4	2,1		
ARW 3,0/S IP54	17886-9958	230	3,0	115/2,2	135/2,5	155/2,8	180/3,0	230/3,0	90 x 175 x 95 x 71 x 157 x M4	2,5		
ARW 5,0/S	17886-9975	230	5,0	80/4,0	105/4,3	135/4,6	170/5,0	230/5,0	123 x 240 x 125 x 105 x 220 x M6	4,5		
ARW 7,0/S	17886-9971	230	7,0	80/6,0	105/6,3	135/6,6	170/7,0	230/7,0	123 x 240 x 125 x 105 x 220 x M6	5,5		
ARW 10,0/S	17886-9970	230	10,0	80/6,5	105/7,5	135/8,5	170/10,0	230/10,0	147 x 277 x 155 x 113 x 255 x M6	6,2		
ARW 14,0/S	17886-9969	230	14,0	80/8,0	105/9,5	135/11	170/12,5	230/14,0	147 x 277 x 155 x 113 x 255 x M6	10,5		

Because of the constant development of product construction and changes concerning technical requirements, Breve-Tufvassons Company reserves the right to change the parameters mentioned

X-ON Electronics

Largest Supplier of Electrical and Electronic Components

Click to view similar products for [LDO Voltage Regulators](#) category:

Click to view products by [Breve Tufvassons](#) manufacturer:

Other Similar products are found below :

[M38D29FFHP#U1](#) [702103A](#) [717726C](#) [742457H](#) [MP20051DN-LF-Z](#) [R5F111PGGFB#30](#) [AP7363-SP-13](#) [NCP103AMX285TCG](#)
[NCV8664CST33T3G](#) [NCV8752AMX28TCG](#) [L9454](#) [AP7362-HA-7](#) [LX13043CLD](#) [TCR3DF185,LM\(CT](#) [TCR3DF24,LM\(CT](#)
[TCR3DF285,LM\(CT](#) [TCR3DF31,LM\(CT](#) [TCR3DF45,LM\(CT](#) [TLF4949EJ](#) [L9708](#) [L970813TR](#) [030014BB](#) [059985X](#) [EAN61387601](#)
[EAN61573601](#) [NCP121AMX173TCG](#) [NCP4687DH15T1G](#) [NCV8703MX30TCG](#) [701326R](#) [702087BB](#) [755078E](#) [TCR2EN28,LF\(S](#)
[LM1117DT-1.8/NO](#) [LT1086CM#TRPBF](#) [AZ1085S2-1.5TRE1](#) [TLE4279GXUMA2](#) [MAX15101EWL+T](#) [NCV8170AXV250T2G](#)
[SCD337BTG](#) [TCR3DF27,LM\(CT](#) [TCR3DF19,LM\(CT](#) [TCR3DF125,LM\(CT](#) [TCR2EN18,LF\(S](#) [MAX15103EWL+T](#) [TS2937CZ-5.0 C0](#)
[MAX8878EUK30-T](#) [MAX663CPA](#) [NCV4269CPD50R2G](#) [NCV8716MT30TBG](#) [AZ1117IH-1.2TRG1](#)