

**M12 Actuator/Sensor Distribution Boxes**

ASBSV

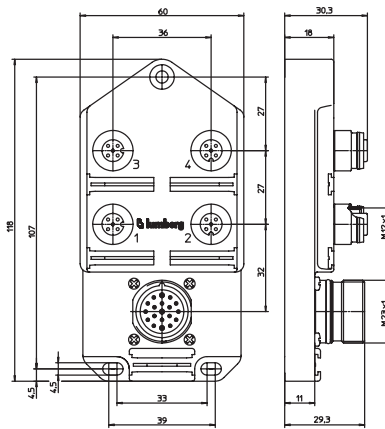


**4-, 6-, and 8-Ports**

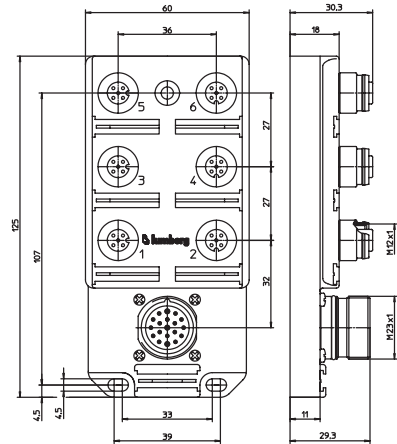
Pluggable actuator/sensor distribution box, 4-, 6-, and 8-ports, top-entry, M12 sockets, 5-poles, 2 signals per socket, with M23 quick-disconnect for the control cable.

– control cable type: 19P: RKU 19-242/...M or RKWU 19-242/...M –

**4-Ports**



**6-Ports**

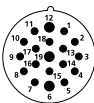


**Pin Assignments**

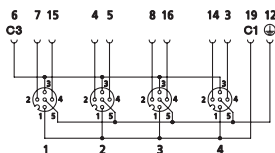
M12 / M23

Wiring Diagrams

**5 P / 19 P**

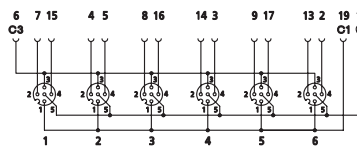


**4-Ports**



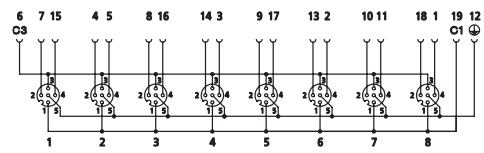
- 1 = 19 (C1)
- 2 = 1 (7)
- 2 = 2 (4)
- 3 = 3 (8)
- 4 = 4 (14)
- 3 = 6 (C3)
- 4 = 1 (15)
- 4 = 2 (5)
- 3 = 3 (16)
- 4 = 4 (3)
- 5 = 12 (PE)

**6-Ports**



- 1 = 19 (C1)
- 2 = 1 (7)
- 2 = 2 (4)
- 3 = 3 (8)
- 4 = 4 (14)
- 5 = 5 (9)
- 6 = 6 (13)
- 3 = 6 (C3)
- 4 = 1 (15)
- 2 = 2 (5)
- 3 = 3 (16)
- 4 = 4 (3)
- 5 = 5 (17)
- 6 = 6 (2)
- 5 = 12 (PE)

**8-Ports**



- 1 = 19 (C1)
- 2 = 1 (7)
- 2 = 2 (4)
- 3 = 3 (8)
- 4 = 4 (14)
- 5 = 5 (9)
- 6 = 6 (13)
- 7 = 7 (10)
- 8 = 8 (18)
- 3 = 6 (C3)
- 4 = 1 (15)
- 2 = 2 (5)
- 3 = 3 (16)
- 4 = 4 (3)
- 5 = 5 (17)
- 6 = 6 (2)
- 7 = 7 (11)
- 8 = 8 (1)
- 5 = 12 (PE)

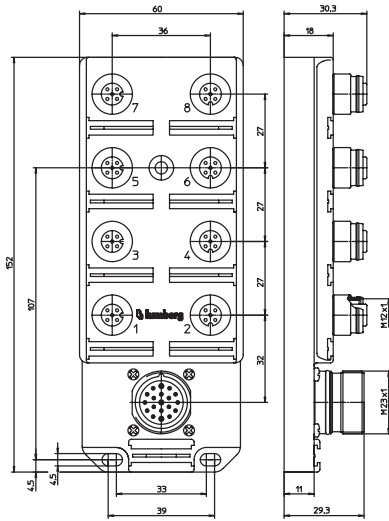


Be Certain with Belden

**M12 Actuator/Sensor Distribution Boxes**

ASBSV 4 5 | ASBSV 6 5 | ASBSV 8 5

**8-Ports**



**Technical Data**

**Environmental**

Degree of protection IP 67 / NEMA 6P  
 Operating temperature range -15°C (+5°F) / +80°C (+176°F)

**Mechanical**

Housing TPU, self-extinguishing  
 Insert PA GF, self-extinguishing  
 Contact CuZn, pre-nickel and 0.8 microns gold-plated  
 Receptacle shell CuZn, nickel-plated  
 O-ring FKM

**Electrical**

Contact resistance  $\leq 5m\Omega$   
 Voltage rating 250 V  
 Current rating 4 A per port / 10 A max. total  
 Insulation resistance  $> 10^9 \Omega$

**Accessories (included)**

ZVK 2 dust covers for unused sockets  
 ZBS 10 attachable labels

| Part Number | Ports | Mating Control Cables               | Characteristics |
|-------------|-------|-------------------------------------|-----------------|
| ASBSV 4 5   | 4     | RKU 19-242/...M or RKWU 19-242/...M |                 |
| ASBSV 6 5   | 6     | RKU 19-242/...M or RKWU 19-242/...M |                 |
| ASBSV 8 5   | 8     | RKU 19-242/...M or RKWU 19-242/...M |                 |

## X-ON Electronics

Largest Supplier of Electrical and Electronic Components

*Click to view similar products for [Sensor Cables / Actuator Cables](#) category:*

*Click to view products by [Lumberg](#) manufacturer:*

Other Similar products are found below :

[1300070444](#) [43-10984](#) [M83513/19-F01CP](#) [704000D02F120](#) [MDM15SH001K](#) [MDM25PH003BF222](#) [802027107404-1](#) [885030A09M010](#)  
[885030A09M020](#) [1200650174](#) [1200651332](#) [1200651713](#) [1200660171](#) [1200660208](#) [1200660343](#) [1200660804](#) [1200660845](#) [1200660926](#)  
[1200660977](#) [1200661173](#) [1200661354](#) [120066-1712](#) [1200720053](#) [1200720099](#) [1200720153](#) [1200720172](#) [1200720217](#) [1200720226](#)  
[1200720251](#) [1200720285](#) [1200720296](#) [1200720404](#) [1200730148](#) [1200730378](#) [1200800231](#) [1200860112](#) [1200860121](#) [1200860125](#)  
[1200860337](#) [1200860365](#) [1200860420](#) [1200870046](#) [1200870123](#) [1200870248](#) [1200980102](#) [1200660181](#) [1200660183](#) [1200660827](#)  
[1200660849](#) [1200661170](#)