

Series 80 Mighty Mouse Strain Relief Clamp Ordering Information

620MS064 and 620MS065



These clamps provide strain relief to open wire bundles. Add tubing or tape to build up smaller diameter wires to fit the clamps.

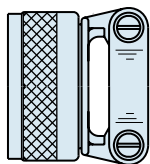
Straight Entry clamps are available with **Rotatable Coupling**. Or, save space with lower profile **Direct Coupling** versions.

MATERIALS

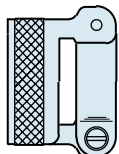
| | |
|-------------------------|--|
| Nut, Clamp, and Saddles | Aluminum Alloy 6061-T6 or 300 Series SST |
| Hardware | 300 Series Stainless Steel |

HOW TO ORDER

Sample Part Number

620MS064
M
07
Part Number
Shell Material / Finish
Size Code

620MS065

Rotatable Coupling


620MS064

Direct Coupling

C
Aluminum / Black Anodize
(Non-Conductive)
RoHS Compliant

M
Aluminum / Electroless Nickel
RoHS Compliant

NF
Aluminum / Cadmium with Olive
Drab Chromate

ZN
Aluminum / Zinc-Nickel with
Olive Drab Chromate

UCR
Aluminum / Zinc-Cobalt with
Black Chromate
RoHS Compliant

ZNU
Aluminum / Zinc-Nickel with
Black Chromate

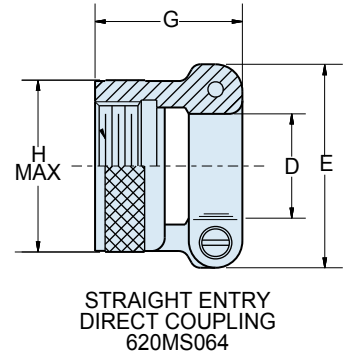
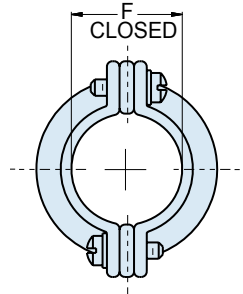
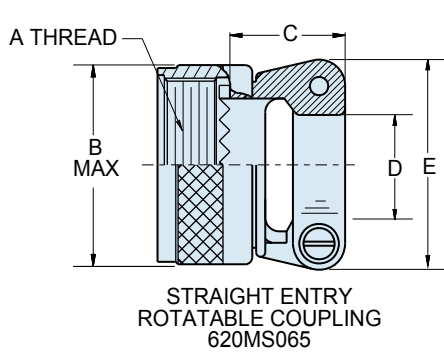
MT
Aluminum / Nickel-PTFE
RoHS Compliant

Z1
Stainless Steel / Passivated
RoHS Compliant

| Size Code | Thread Size | Cable Entry Diameter | Shell Size | |
|-----------|----------------|----------------------|---------------------------|------------|
| | | | Series 800, 801, 803, 804 | Series 805 |
| 05 | .2500-32 UNEF | .11 | 5 | |
| 06 | .3125-32 UNEF | .17 | 6 | |
| 11 | .3750-32 UNEF | .17 | | 8 |
| 07 | .4375-28 UNEF | .23 | 7 | 9 |
| 08 | .5000-28 UNEF | .30 | 8 | 10 |
| 09 | .5625-24 UNEF | .30 | 9 | 11 |
| 10 | .6250-24 UNEF | .36 | 10 | 12 |
| 12 | .6875-24 UNEF | .42 | 12, 13 | |
| 13 | .7500-20 UNEF | .42 | | 15 |
| 14 | .9375-20 UNEF | .48 | 14, 15, 16, 17 | 18, 19 |
| 15 | .9375-20 UNEF | .61 | 14, 15, 16, 17 | 18, 19 |
| 17 | 1.1875-18 UNEF | .86 | 21 | 23 |

Dimensions in inches (millimeters) and are subject to change without notice.

Series 80 Mighty Mouse Strain Relief Clamp Dimensions 620MS064 and 620MS065



DIMENSIONS

| Size Code | A Threads | B Max. | | C Max. | | Ø D | | E | | F | | G Max. | | H Max. | |
|-----------|-------------------|--------|-------|--------|-------|--------|--------|--------|--------|--------|--------|--------|-------|--------|-------|
| | | In. | mm. | In. | mm. | ± .015 | ± 0.38 | ± .015 | ± 0.38 | ± .030 | ± 0.76 | In. | mm. | In. | mm. |
| | | | | | | | | | | | | | | | |
| 05 | .2500-32 UNEF-2B | .470 | 11.94 | .688 | 17.48 | .119 | 3.02 | .496 | 12.60 | .110 | 2.79 | .625 | 15.88 | .350 | 8.89 |
| 06 | .3125-32 UNEF-2B | .530 | 13.46 | .688 | 17.48 | .182 | 4.62 | .582 | 14.78 | .170 | 4.32 | .625 | 15.88 | .415 | 10.54 |
| 11 | .375-32 UNEF-2B | .570 | 14.48 | .688 | 17.48 | .182 | 4.62 | .582 | 14.78 | .170 | 4.32 | .625 | 15.88 | .465 | 11.81 |
| 07 | .4375-28 UNEF-2B | .637 | 16.18 | .688 | 17.48 | .244 | 6.20 | .656 | 16.66 | .230 | 5.08 | .688 | 17.48 | .530 | 13.46 |
| 08 | .5000-28 UNEF-2B | .700 | 17.78 | .688 | 17.48 | .307 | 7.80 | .726 | 18.44 | .300 | 7.62 | .688 | 17.48 | .595 | 15.11 |
| 09 | .5625-24 UNEF-2B | .758 | 19.25 | .750 | 19.05 | .307 | 7.80 | .726 | 18.44 | .300 | 7.62 | .750 | 19.05 | .650 | 16.51 |
| 10 | .6250-24 UNEF-2B | .819 | 20.80 | .750 | 19.05 | .369 | 9.37 | .885 | 22.48 | .360 | 9.14 | .875 | 22.23 | .715 | 18.16 |
| 12 | .6875-24 UNEF-2B | .896 | 22.76 | .750 | 19.05 | .432 | 10.97 | .952 | 24.18 | .420 | 10.67 | .875 | 22.23 | .785 | 19.94 |
| 13 | .750-20 UNEF-2B | .930 | 23.62 | .750 | 19.05 | .432 | 10.97 | .952 | 24.18 | .420 | 10.67 | .875 | 22.23 | .830 | 21.08 |
| 14 | .9375-20 UNEF-2B | 1.137 | 28.88 | .750 | 19.05 | .494 | 12.55 | 1.018 | 25.86 | .480 | 12.19 | 1.000 | 25.40 | 1.020 | 25.91 |
| 15 | .9375-20 UNEF-2B | 1.137 | 28.88 | .750 | 19.05 | .619 | 15.72 | 1.148 | 29.16 | .610 | 15.49 | 1.000 | 25.40 | 1.020 | 25.91 |
| 17 | 1.1875-18 UNEF-2B | 1.397 | 35.48 | .750 | 19.05 | .869 | 22.07 | 1.400 | 35.56 | .860 | 21.84 | 1.125 | 28.58 | 1.280 | 32.51 |

Dimensions in inches (millimeters) and are subject to change without notice.



X-ON Electronics

Largest Supplier of Electrical and Electronic Components

Click to view similar products for [Circular MIL Spec Strain Reliefs & Adapters](#) category:

Click to view products by [Glenair](#) manufacturer:

Other Similar products are found below :

[896227-000](#) [899170S004](#) [6000-063-0022](#) [613751-000](#) [CS6624-000](#) [620AB038Z136](#) [620AS001Z108](#) [620AS038Z112](#) [620AS038Z120](#)
[620AS038Z132](#) [620FB038NF08](#) [620HA038NF13](#) [620HA038NF25](#) [620HA042XM13](#) [620HB049NF17](#) [620HS011NF21](#) [620HS038NF11](#)
[620HS038Z121](#) [620HS042XM19](#) [620HS042XM25](#) [620HS042XW13](#) [620HS048B17](#) [620MS064NF09](#) [620MS064NF12](#) [620MS065M12](#)
[620MS065Z107](#) [620MS065ZNU06](#) [630J041M06H](#) [630J041M20H](#) [637S010NF0212H](#) [640830-000](#) [659943-000](#) [66241-10A](#) [CW0597-000](#)
[CW0598-000](#) [CW0948-000](#) [CY0122-000](#) [M85049/41-6A W/B](#) [M85049/42-12DS](#) [M85049/47N8](#) [M85049/47W18](#) [M85049/51-1-14S](#)
[M85049/51-1-8W](#) [M85049/51S16S](#) [M85049/60-1N16](#) [M85049/60-2G12W](#) [M85049/69-11N](#) [CZ3661-000](#) [D02922-000](#) [70.360.1628.0](#)