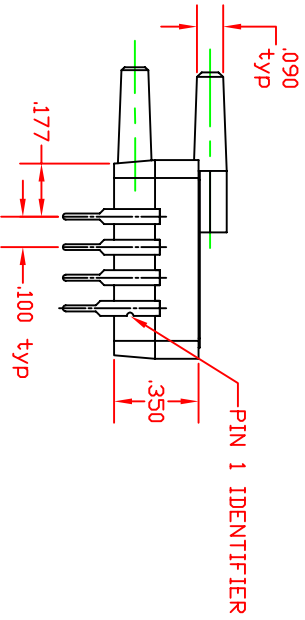
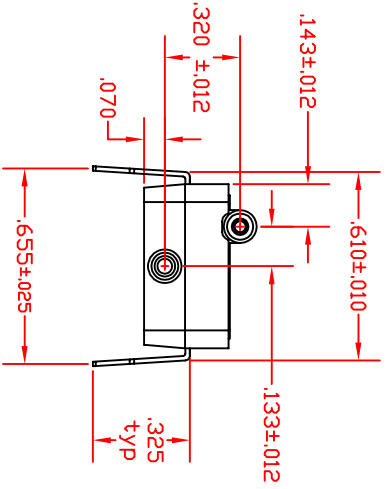
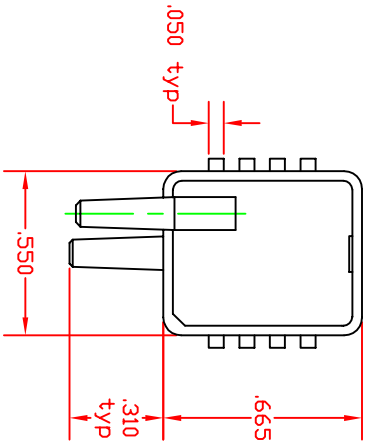


PROPRIETARY DATA
 This document may not be reproduced, disclosed, or otherwise used in whole or in part, without the written permission of **SENSYTA ICT**



NOTES: UNLESS OTHERWISE SPECIFIED
 1. Δ INDICATES CRITICAL DIMENSIONS FOR INCOMING INSPECTION BY Q.A. PER ANSI Z1.4-1993, SINGLE SAMPLING, NORMAL INSPECTION, 0.65% AQL, LEVEL 1

REVISIONS				
LTR	DESCRIPTION	ECN#	DATE	APP'V
A	INITIAL RELEASE	9795	08/16/01	B.D
B	CORRECTED DIMENSION	10506	07/30/02	B.D
C	ADDED TOLERANCES	11020	03/17/03	B.D

THIRD ANGLE PROJECTION		UNLESS OTHERWISE SPECIFIED DIMENSIONS ARE IN INCHES		APPROVALS		DATE			
FINISH: UNLESS OTHERWISE SPECIFIED		TOLERANCES		DRAWN BY		DATE			
MATERIAL: N/A		DESCRIPTORS: .XX=±.01		BRUCE H.		2/28/03		TITLE: SensSys ICT 1804 MCKINNY BLD., MILPITAS, CA 95035	
OTHERWISE SPECIFIED		ANGULAR: ±1°		PRODUCT ENGR.		2/28/03		OUTLINE DRAWING ASDXXXXD4	
DO NOT SCALE DRAWING		ORIGINATOR CHECK		SCALE: B		DRAWING NUMBER: S560239		REV: C	
ASDXXXXXD4		N/A		5:1		CODE IDENT: 67234		SHEET 1 of 1	

4 3 2 1

X-ON Electronics

Largest Supplier of Electrical and Electronic Components

Click to view similar products for [Board Mount Pressure Sensors](#) category:

Click to view products by [Honeywell](#) manufacturer:

Other Similar products are found below :

[80527-25.0H2-05](#) [80541-B00000150-01](#) [80541-B00000200-05](#) [80554-00700100-05](#) [80568-00300050-01](#) [81618-B00000040-01](#) [81739-B00000900-01](#) [81807-B00000020-01](#) [81808-B00000150-14](#) [82903-B00000020-01](#) [93.631.4253.0](#) [93.731.4353.0](#) [93.932.4553.0](#) [136PC150G2](#) [136PC15A1](#) [142PC95AW71](#) [142PC05DW70](#) [MPXV2202DPT1](#) [15PSI-G-4V](#) [1805-01A-L0N-B](#) [2000317-1](#) [26PCBKT](#) [26PCCFA6D26](#) [26PCCFS2G](#) [26PCCVA6D](#) [93.632.7353.0](#) [93.731.3653.0](#) [93.931.4853.0](#) [93.932.4853.0](#) [SCDA120-XSC05DC](#) [SP370-23-156-0](#) [185PC30DH](#) [192992-0059](#) [20INCH-G-MV-MINI](#) [26PCAFJ3G](#) [26PCAFS2G54](#) [26PCCEP5G24](#) [26PCJEU5G19](#) [30INCH-D1-MV-MINI](#) [ASCX15AN-90](#) [TSCSAAN001PDUCV](#) [DCAL401DN](#) [DCAL401GN](#) [XZ202798SSC](#) [XZ203676HSC](#) [SP370-25-116-0](#) [81717-00000050-05](#) [81794-B00001200-01](#) [HSCDLNN100PGAA5](#) [81618-B00000040-05](#)