

# Polyamide Terminal Blocks

## Introduction

The Terminal Block ranges from Elkay offer flexibility and versatility. Suitable for domestic, commercial and industrial applications with.

- **Wide range of approvals**
- **Raised or level base options**
- **With or without wire protector options**
- **Printing & Cutting Service available**

### SPECIFICATIONS

#### Materials

Housings	White Polyamide 6
Terminal Screws	Galvanised Steel

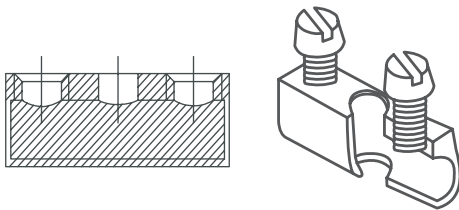
#### Fire Performance

Material Properties	Halogen Free
Flammability	UL94 - VO



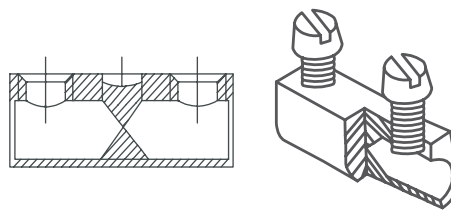
## Terminal Inserts

Available in **Standard Type**, in which the conductor can pass through the complete insert and **'T' Type** in which there is an integral barrier to prevent the over insertion of conductors. Available with or without wire protector, see below.



### Specifications: STANDARD TYPE

<b>Material</b>	Plated Brass
<b>Insert Style</b>	Conductors can be inserted from both ends

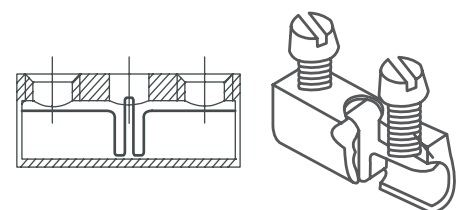


### Specifications: 'T' TYPE

<b>Material</b>	Plated Brass
<b>Insert Style</b>	Integral barrier prevents over insertion of conductors

## Wire Protectors

Wire protectors help to prevent damage to the stranded conductor when the screw is tightened, thereby ensuring a safe and secure connection. Inserts in plated brass.



### Specifications: TYPE 001

<b>Material</b>	Stainless Steel
<b>Insert Style</b>	Wire protector with no integral barrier
<b>Availability</b>	1512, 6012, 10012, 16012

## Terminal Screws

The polyamide range of terminal blocks listed are fitted with zinc plated screws, passivated. Nickel plated brass screws are available to special order.

### Screw Sizes

<b>1512 Series</b>	M2.6x8
<b>4012 Series</b>	M3x8
<b>6012 Series</b>	M3.5x8

### Screw Sizes

<b>10012 Series</b>	M4x8
<b>16012 Series</b>	M5x8.8

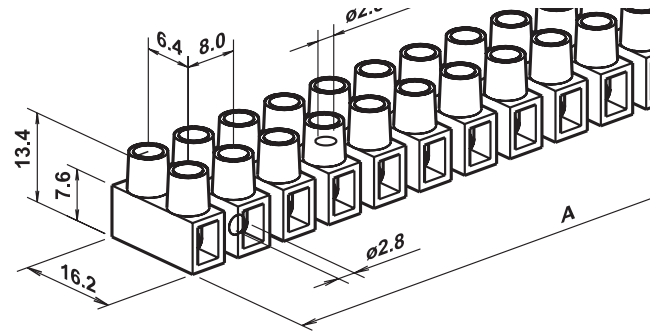
# Polyamide Terminal Blocks



## 1512 - 2.5mm<sup>2</sup> Polyamide Terminal Blocks

### SPECIFICATIONS

Nominal clamping area	2.5mm <sup>2</sup>
Nominal voltage	450V
Max. ambient temperature	PA T85
Inserts	Galvanised Brass
Screws	Galvanised Steel

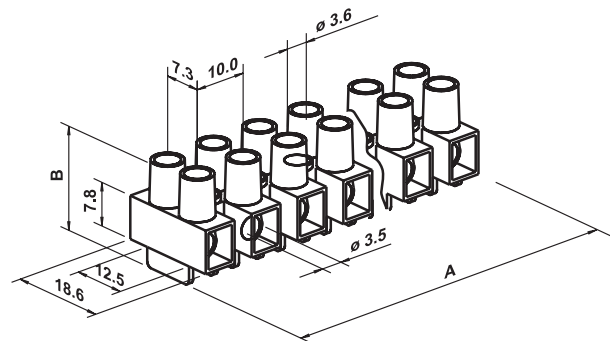


Part No.	Base	Wire Protector	'T' Insert	No. Poles	Width A mm	Rating	Pack Qty
1512LE	LEVEL	-	-	12 POLE	94	14A	10
1512/151E	RAISED	YES	-	12 POLE	94	14A	10
1512LTE	LEVEL	-	YES	12 POLE	94	14A	10
1512TE	RAISED	-	YES	12 POLE	94	14A	10

## 4012 - 4mm<sup>2</sup> Polyamide Terminal Blocks

### SPECIFICATIONS

Nominal clamping area	4mm <sup>2</sup>
Nominal voltage	450V
Max. ambient temperature	PA T85
Inserts	Galvanised Brass
Screws	Galvanised Steel

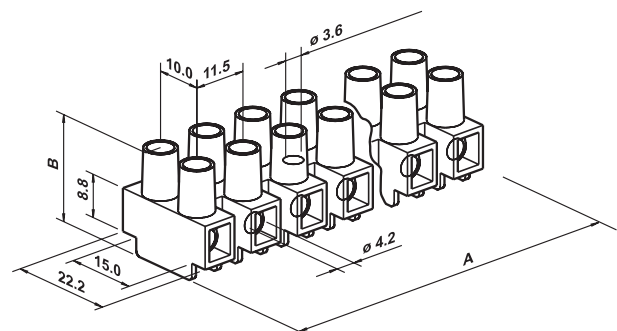


Part No.	Base	Wire Protector	'T' Insert	No. Poles	Width A mm	Height B mm	Rating	Pack Qty
4012LE	LEVEL	-	-	12 POLE	117	15	25A	10
4012/401E	RAISED	YES	-	12 POLE	117	18.5	25A	10
4012LTE	LEVEL	-	YES	12 POLE	117	15	25A	10
4012LT/402E	LEVEL	YES	YES	12 POLE	117	15	25A	10
4012TE	RAISED	-	YES	12 POLE	117	18.5	25A	10

## 6012 - 6mm<sup>2</sup> Polyamide Terminal Blocks

### SPECIFICATIONS

Nominal clamping area	6mm <sup>2</sup>
Nominal voltage	450V
Max. ambient temperature	PA T85
Inserts	Galvanised Brass
Screws	Galvanised Steel



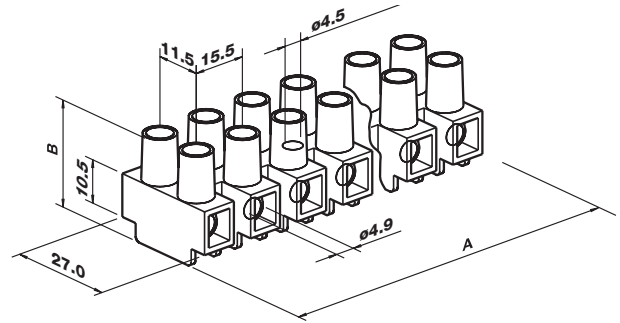
Part No.	Base	Wire Protector	'T' Insert	No. Poles	Width A mm	Height B mm	Rating	Pack Qty
6012/601E	RAISED	YES	-	12 POLE	133.7	20.8	32A	10
6012TE	RAISED	-	YES	12 POLE	133.7	20.8	32A	10
6012L/601E	LEVEL	YES	-	12 POLE	133.7	19.3	32A	10
6012LE	LEVEL	-	-	12 POLE	133.7	19.3	32A	10

# Polyamide Terminal Blocks & Accessories

## 10012 Polyamide Terminal Blocks

### SPECIFICATIONS

Nominal clamping area	10mm <sup>2</sup>
Nominal voltage	450V
Max. ambient temperature	PA T85
Inserts	Galvanised Brass
Screws	Galvanised Steel

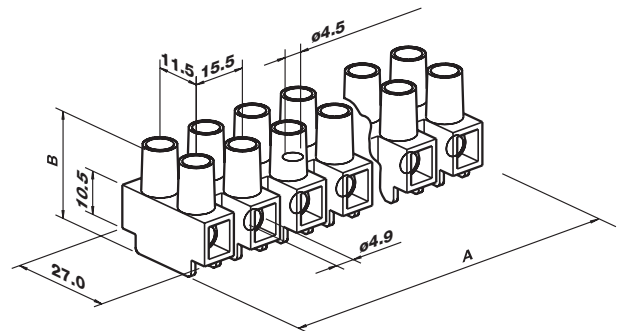


Part No.	Base	Wire Protector	'T' Insert	No. Poles	Width A mm	Height B mm	Rating	Pack Qty
10012/1001	RAISED	YES	-	12 POLE	180	28	45A	10
10012L	LEVEL	-	-	12 POLE	180	22	45A	10
10012L/1001	LEVEL	YES	-	12 POLE	180	22	45A	10
10012	RAISED	-	-	12 POLE	180	28	45A	10

## 16012 - 16mm Polyamide Terminal Blocks

### SPECIFICATIONS

Nominal clamping area	16mm <sup>2</sup>
Nominal voltage	450V
Max. ambient temperature	PA T85
Inserts	Galvanised Brass
Screws	Galvanised Steel



Part No.	Base	Wire Protector	'T' Insert	No. Poles	Width A mm	Height B mm	Rating	Pack Qty
16012	RAISED	-	-	12 POLE	180	28	60A	10
16012LT	LEVEL	-	YES	12 POLE	180	22	60A	10
16012/1601	RAISED	YES	-	12 POLE	180	28	60A	10
16012L/1601	LEVEL	YES	-	12 POLE	180	22	60A	10
16012T	RAISED	-	YES	12 POLE	180	28	60A	10
16012L	LEVEL	-	-	12 POLE	180	22	60A	10

## Fixing Pins

Fixing pins are simply pushed in to secure raised base 4012 & 6012 series terminal blocks to panels of up to 1mm thickness.

Part No.	Descn	Pack Qty
998	Fixing Pins	1000

## X-ON Electronics

Largest Supplier of Electrical and Electronic Components

*Click to view similar products for [Pluggable Terminal Blocks](#) category:*

*Click to view products by [Elkay](#) manufacturer:*

Other Similar products are found below :

[57.404.7553](#) [57.504.0053.7](#) [57.510.0053](#) [57.910.6153](#) [01.112.1453](#) [CTB932VE/6](#) [MC 1.5/ 6-ST-3.5 GY AU](#) [ET02015000J0G](#) [734-104](#) [734-302](#) [734-304](#) [8-141-P](#) [FKCT 2.5/ 3-ST KMGY](#) [860505](#) [860508](#) [860516](#) [860810](#) [861908](#) [GBPACX-12](#) [93.731.4953.0](#) [PV05-5,08-K](#) [PVP02-5,00](#) [PVP04-3,50](#) [PVS02-5,00](#) [1-1986160-3](#) [H-10](#) [1546228-5](#) [ELFH09150](#) [ELFH16150](#) [ELFP03110](#) [ELFT06250](#) [ELFT07250](#) [ELVF09400](#) [ELVP03100](#) [ELXH03100](#) [ELXH071G0E](#) [ELXP041G0](#) [ELXT046G0](#) [1700101](#) [1700410](#) [1700425](#) [1703176](#) [1705229](#) [1710175](#) [1714537](#) [1717806](#) [1719600](#) [1729386](#) [1734692](#) [1734795](#)