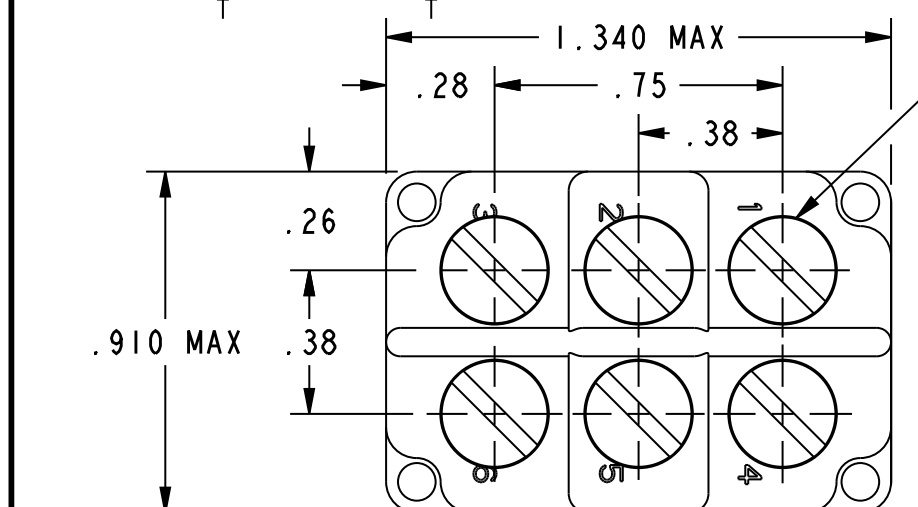
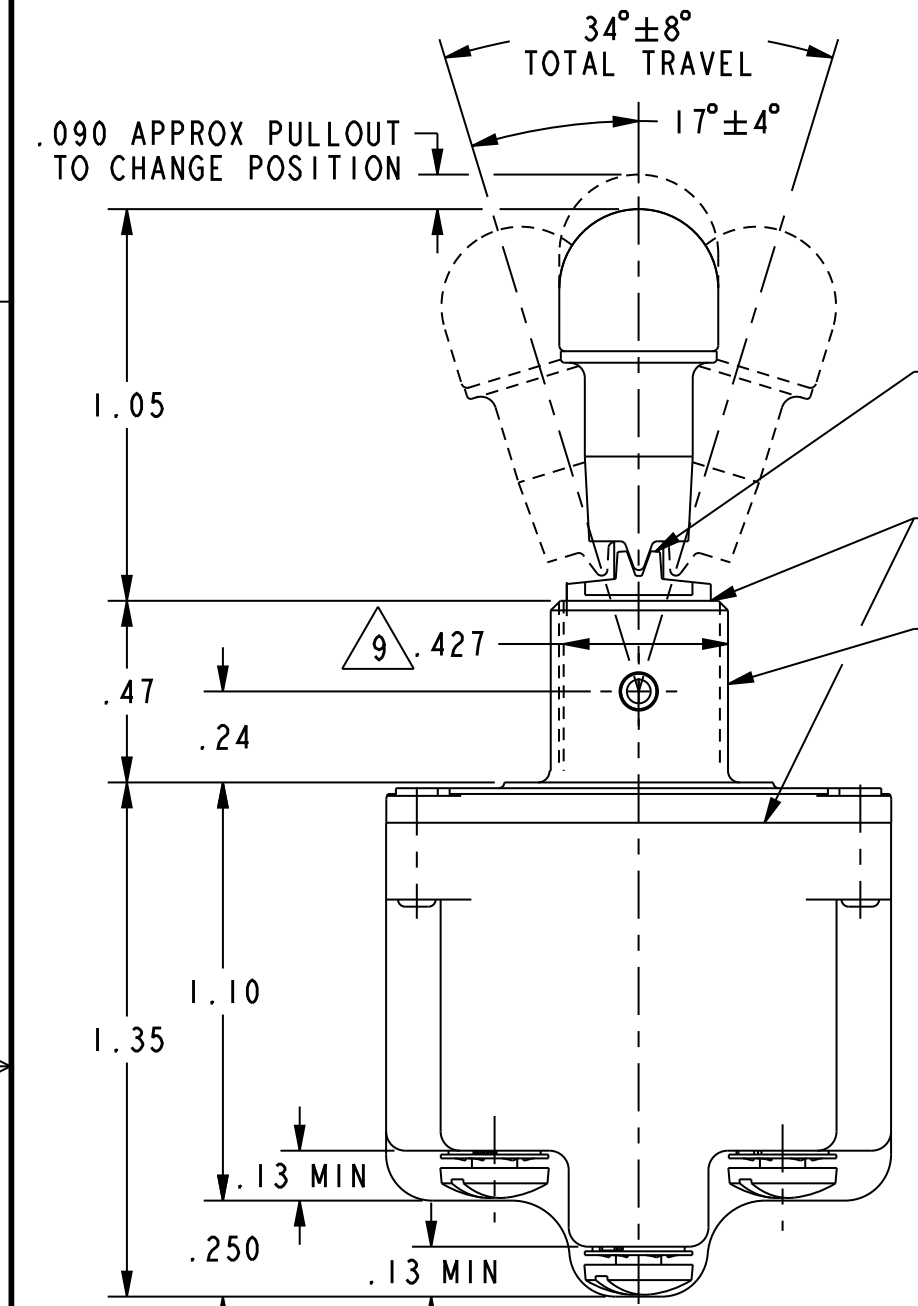
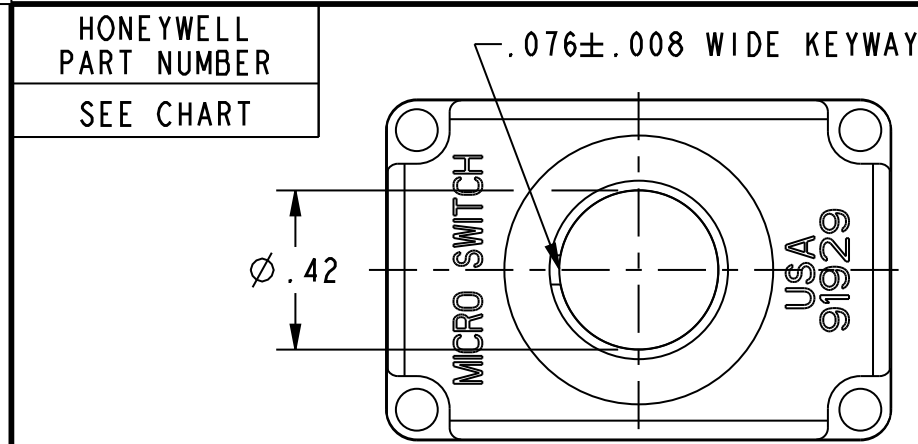


HONEYWELL
PART NUMBER
SEE CHART

REV	DOCUMENT	CHANGED BY	CHECK
33	0056412	SJK IOSEP09	CMH
REDRAWN WITHOUT CHANGE IN PRO-E			



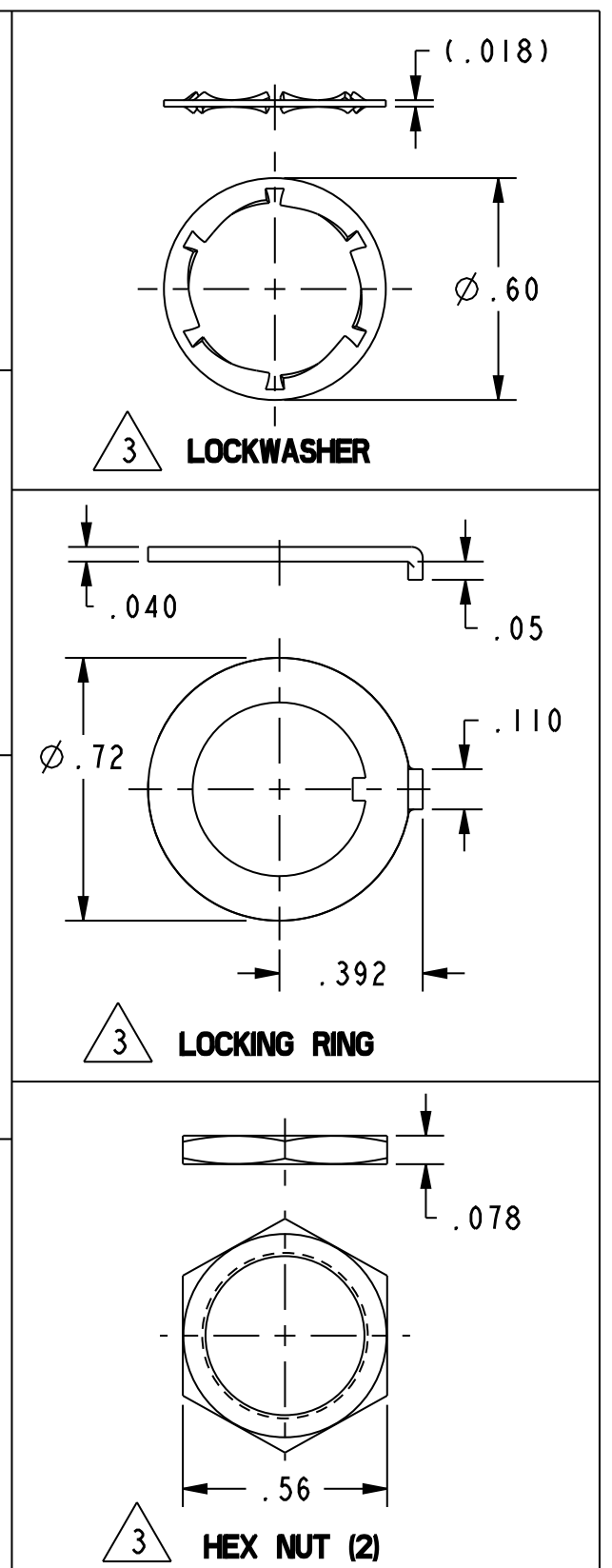
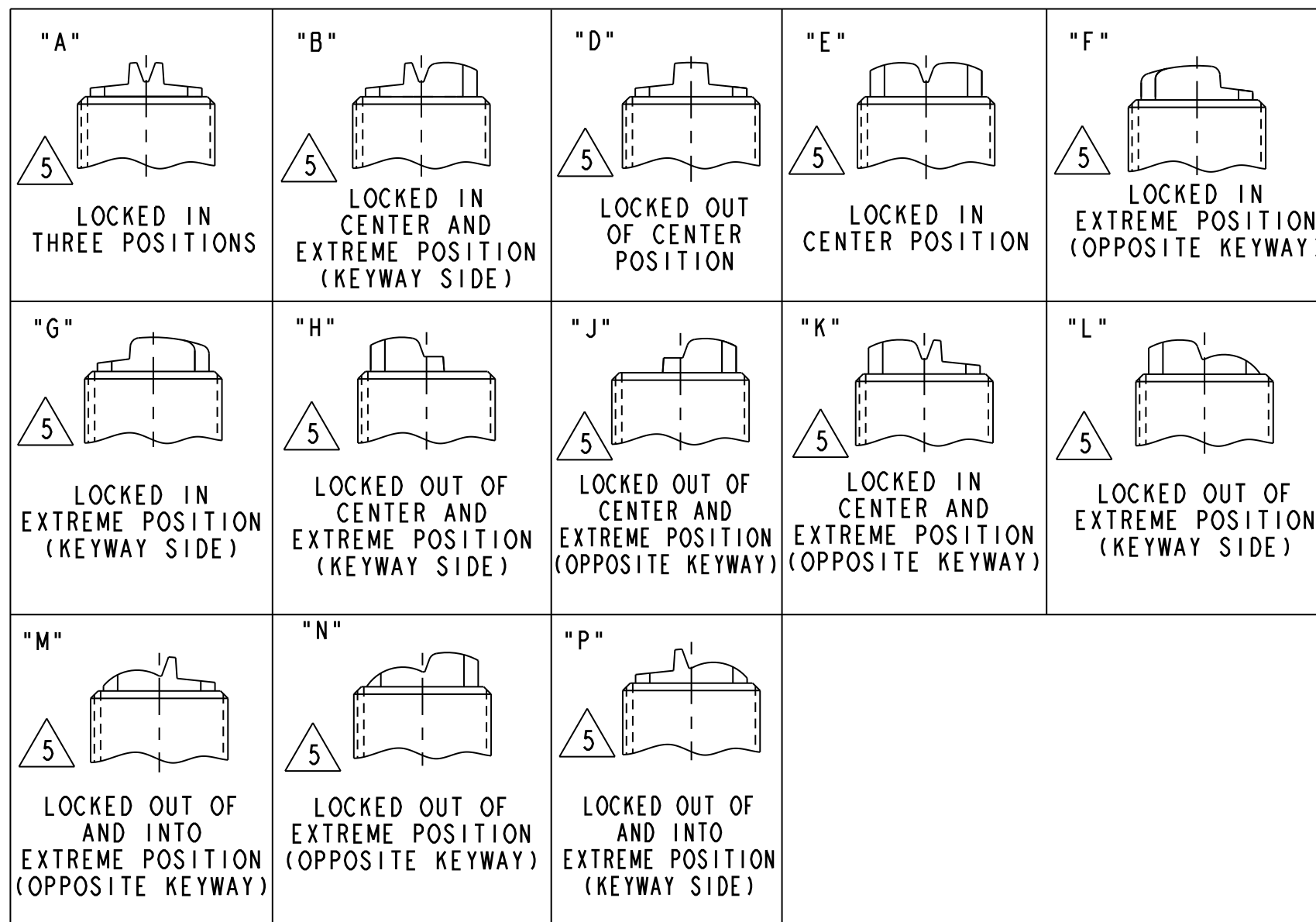
SEE LOCKING DETAILS FOR DESCRIPTION ("A" LOCKING INSERT SHOWN)
SEALED TO PREVENT ENTRANCE OF LIQUIDS OR DUST
15/32-32 UNS-2 THREAD TO WITHIN .060 OF SHOULDER

6-32 UNC X .260 REF BINDING HEAD TERMINAL SCREW AND LOCKWASHER (SEMS) ONE PER TERMINAL

MILITARY STANDARD NUMBER 6	CATALOG LISTING 6	AVAILABLE LOCKING COMBINATIONS FOR CONFIGURATION SEE LETTERED DETAILS	CIRCUIT MADE WITH TOGGLE LEVER IN			MILITARY RATING (AMPS)								
			KEYWAY SIDE (1-2, 4-5)	CENTER (1-2, 4-5)	OPPOSITE KEYWAY (2-3, 5-6)	RESISTIVE LOAD				LAMP LOAD		INDUCTIVE LOAD		
						DC VOLTS		AC VOLTS		VDC		VAC		
24659-21	2TLI-1	A, B, D, E, F, G, H, J, K, L, M, N, P	ON	OFF	ON	28	125	250	125	250	28	125	28	125
24659-22	2TLI-2	D, F, G	OFF	NONE	ON	20	.75	.5	15	6	7	4	15	15
24659-23	2TLI-3	D, F, G	ON	NONE	ON									
24659-24	2TLI-21	E, F, K, M	NONE	OFF	ON									
24659-33	2TLI-31	E, F, K, M	NONE	ON	ON									
24659-29	2TLI-4	F	MOM OFF	NONE	ON	18	.75	.5	11	6	5	2	10	8
24659-31	2TLI-5	E, F, K, L, M, N	MOM ON	OFF	ON									
24659-30	2TLI-6	F	MOM ON	NONE	OFF									
24659-27	2TLI-7	E, L, N	MOM ON	OFF	MOM ON									
24659-26	2TLI-8	F	MOM ON	NONE	ON									
24659-32	2TLI-51	E	NONE	ON	MOM ON									
24659-28	2TLI-61	E	MOM ON	OFF	NONE									

(REFER TO L191 FOR UL RATING)

(REFER TO L192 FOR UL RATING)



- NOTES:
- SWITCHES ARE CAPABLE OF WITHSTANDING A TEMPERATURE OF 160°F CONTINUOUSLY AT FULL RATED LOAD.
 - CIRCUIT DESIGNATION, MICRO SWITCH CATALOG LISTING AND "MS" NUMBER MARKED ON SIDE OF SWITCH.
 - FURNISHED UNASSEMBLED.
 - FOR TERMINAL COVER, SEE MICRO SWITCH CATALOG LISTING 5PA8.
 - KEYWAY SHOWN ON LEFT SIDE.
 - SUFFIX LETTER MUST BE ADDED FOR DESIRED TYPE OF TOGGLE LOCKING. SEE CHART FOR AVAILABLE LOCKING COMBINATIONS.
 - APPLIES ONLY TO "ON" AND "MOMENTARY ON" POSITIONS.
 - THESE SWITCHES ARE QUALIFIED UNDER MIL-S-3950.
 - FROM BOTTOM OF KEYWAY TO MAJOR DIA. OF 15/32 THREAD.

15A-125, 250 OR 277 VAC	CE
1/2 HP-125VAC; 1HP-250, 277VAC	
5A-125VAC "L" CODE L191	RU
10A-125, 250 OR 277 VAC	CE
1/4HP-125VAC; 1/2HP-250, 277VAC	
3A-125VAC "L" CODE L192	RU

DESIGN UNITS: INCH
TOLERANCES UNLESS NOTED:

NO PLACES	x	±	-
ONE PLACE	.x	±	.03
TWO PLACE	.xx	±	.015
THREE PLACE	.xxx	±	.005
ANGLES	x	±	-

THIRD ANGLE PROJECTION

DRAWN	LSD	29 JUN 77
CHECK	GCH	07 JUL 77
THIS DRAWING COVERS A PROPRIETARY ITEM AND IS THE PROPERTY OF HONEYWELL. THIS DRAWING IS NOT TO BE COPIED OR USED WITHOUT THE PERMISSION OF HONEYWELL.		
INTERPRET PER ASME Y14.5M-1994 OTHER HONEYWELL ENGINEERING STANDARDS MAY APPLY		
Pro/ENGINEER 3D		

Honeywell			
SWITCH - TOGGLE			
SIZE	TYPE	CAGE CODE	DRAWING NAME
C	I	-	2TL1 SERIES CHART 2 33
SCALE	2:1	WEIGHT: .15 LB. APPROX	SHEET 1 OF 1

X-ON Electronics

Largest Supplier of Electrical and Electronic Components

Click to view similar products for [Toggle Switches](#) category:

Click to view products by [Honeywell](#) manufacturer:

Other Similar products are found below :

[A19HV](#) [8A1-C-222](#) [60012L](#) [6006L](#) [6663](#) [7101MD9V30GE](#) [7101SPDV30BE](#) [7103SDV30BE](#) [7105D](#) [7108P3YAV2BE](#) [71YY50282](#)
[7201MD9AVBE](#) [7301K38](#) [7306K36](#) [7310K36](#) [7314K36](#) [7506K4](#) [7592K6](#) [7691K14](#) [7700K1](#) [8396K108](#) [8824K14](#) [8828K13](#) [G2VX](#) [G3VX](#)
[PS83-121G](#) [A101MD9AB04](#) [A101SD9AB04](#) [A101SDCQ04](#) [A103SD9AQ04](#) [A107TZB04](#) [A123P32YZQ](#) [A123S1YZG](#) [A127S1YCQ](#) [1-](#)
[1825192-0](#) [A131S1YZQ](#) [A201SCWZB04](#) [A207SYCB04](#) [A208J61ZQ0004](#) [A221K12KAG](#) [A221S1YZQ](#) [A221T1TCQ](#) [A232K12KZQ](#)
[A232M1YCQ](#) [A323S1CWZQ](#) [A423S1CWZG-M8](#) [A423S1YZQ](#) [12149A-3V](#) [12156AX408](#) [12147AGKX679](#)