



MIL-DTL-28840/6 Style B Straight Environmental Backshell

CONNECTOR DESIGNATOR:

G MIL-DTL-28840

Basic
Part Number

M28840/6

Material and Finish

D = Corrosion Resistant Steel,
Cadmium Plate, Black
W = Aluminum, Cadmium Olive Drab

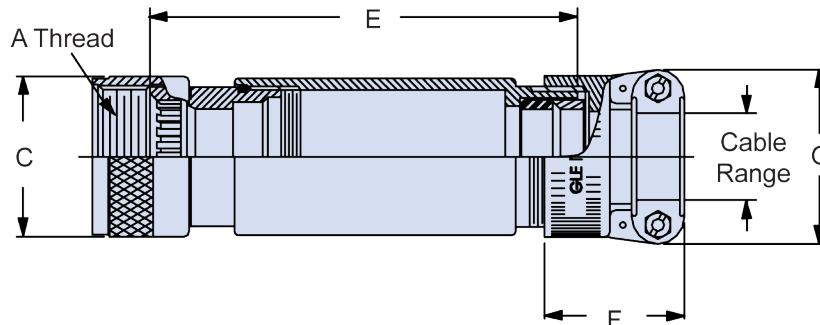
16

Dash Number
(Table II)

W

Style Designator
B = Environmental

B



APPLICATION NOTES

- For complete dimensions see the applicable Military Specification.
- Metric dimensions (mm) are in parentheses.
- Cable Range is defined as the accommodation range for the wire bundle or cable. Dimensions shown are not intended for inspection criteria.

TABLE I: Shell Size

Shell Size	A Thread Class 2B	C Dia Max
11	.750 - 20 UNEF	1.030 (26.2)
13	.875 - 20 UNEF	1.140 (29.0)
15	1.000 - 20 UNEF	1.260 (32.0)
17	1.125 - 18 UNEF	1.390 (35.3)
19	1.250 - 18 UNEF	1.510 (38.4)
23	1.438 - 18 UNEF	1.700 (43.2)
25	1.563 - 18 UNEF	1.820 (46.2)
29	1.875 - 16 UN	2.140 (54.4)
33	2.063 - 16 UNS	2.330 (59.2)

TABLE II: Dash Number and Dimensions

Dash No.	Shell Size Ref.	E ± .12 (3.0)	F Ref. Dim	G Ref. Dim	Cable Range	
					Min	Max
01	11	3.620 (91.9)	1.281 (32.5)	.938 (23.8)	.188 (4.8)	.312 (7.9)
02	13	3.620 (91.9)	1.281 (32.5)	.938 (23.8)	.188 (4.8)	.312 (7.9)
03	13	3.620 (91.9)	1.281 (32.5)	1.125 (28.6)	.281 (7.1)	.438 (11.1)
04	15	3.620 (91.9)	1.281 (32.5)	.938 (23.8)	.188 (4.8)	.312 (7.9)
05	15	3.620 (91.9)	1.281 (32.5)	1.125 (28.6)	.281 (7.1)	.438 (11.1)
06	15	3.620 (91.9)	1.281 (32.5)	1.312 (33.3)	.344 (8.7)	.562 (14.3)
07	15	4.120 (104.6)	1.312 (33.3)	1.593 (40.5)	.438 (11.1)	.750 (19.1)
08	17	4.120 (104.6)	1.281 (32.5)	1.312 (33.3)	.375 (9.5)	.625 (15.9)
09	17	4.120 (104.6)	1.312 (33.3)	1.593 (40.5)	.438 (11.1)	.750 (19.1)
10	17	4.120 (104.6)	1.406 (35.7)	1.750 (44.5)	.625 (15.9)	.938 (23.8)
11	19	4.120 (104.6)	1.281 (32.5)	1.312 (33.3)	.375 (9.5)	.625 (15.9)
12	19	4.120 (104.6)	1.406 (35.7)	1.750 (44.5)	.625 (15.9)	.938 (23.8)
13	23	4.620 (117.3)	1.312 (33.3)	1.593 (40.5)	.438 (11.1)	.750 (19.1)
14	23	4.620 (117.3)	1.406 (35.7)	1.750 (44.5)	.625 (15.9)	.938 (23.8)
15	23	4.620 (117.3)	1.593 (40.5)	2.003 (50.9)	.812 (20.6)	1.188 (30.2)
16	25	4.620 (117.3)	1.406 (35.7)	1.750 (44.5)	.625 (15.9)	.938 (23.8)
17	25	5.120 (130.0)	1.593 (40.5)	2.093 (53.2)	.812 (20.6)	1.188 (30.2)
18	25	5.120 (130.0)	1.593 (40.5)	2.093 (53.2)	.875 (22.2)	1.250 (31.8)
19	25	5.120 (130.0)	1.625 (41.3)	2.343 (59.5)	1.000 (25.4)	1.380 (35.1)
20	29	5.120 (130.0)	1.593 (40.5)	2.093 (53.2)	.812 (20.6)	1.188 (30.2)
21	29	5.120 (130.0)	1.625 (41.3)	2.343 (59.5)	1.000 (25.4)	1.380 (35.1)
22	33	5.120 (130.0)	1.625 (41.3)	2.343 (59.5)	1.000 (25.4)	1.380 (35.1)
23	33	5.120 (130.0)	1.900 (48.3)	2.750 (69.9)	1.250 (31.8)	1.625 (41.3)
24	11	3.620 (91.9)	1.281 (32.5)	1.125 (28.6)	.281 (7.1)	.438 (11.1)
25	11	3.620 (91.9)	1.281 (32.5)	1.312 (33.3)	.344 (8.7)	.562 (14.3)
26	13	3.620 (91.9)	1.281 (32.5)	1.312 (33.3)	.344 (8.7)	.562 (14.3)
27	13	4.120 (104.6)	1.281 (32.5)	1.312 (33.3)	.375 (9.5)	.625 (15.9)
28	15	4.120 (104.6)	1.281 (32.5)	1.312 (33.3)	.375 (9.5)	.625 (15.9)

Dimensions in inches (millimeters) and are subject to change without notice.

X-ON Electronics

Largest Supplier of Electrical and Electronic Components

Click to view similar products for [Circular MIL Spec Backshells](#) category:

Click to view products by [Glenair](#) manufacturer:

Other Similar products are found below :

[5M2919-3DW](#) [5M2920-3CW](#) [5M2953-1HW](#) [60-036152-022](#) [610HS012M15](#) [M28840/504WA](#) [M28840/805WB](#) [M28840/809WA](#)
[M28840/815WA](#) [M28840/816WA](#) [627AS017M14](#) [62GB5851608S](#) [655HS002NF11](#) [CW3703-000](#) [CW3899-000](#) [M85049/10-134S](#)
[M85049/10-17S](#) [M85049/10-33S](#) [M85049/10-94W](#) [M85049/11-09W](#) [M85049/11-28N](#) [M85049/11-37N](#) [M85049/11-53N](#) [M85049/11-63N](#)
[M85049/118-20W](#) [M85049/124-23W](#) [M85049/124S09W](#) [M85049/126S23W](#) [M850491712W02](#) [M85049/1720N04B](#) [M85049/1817N06](#)
[M850491819W03](#) [M85049/1821W05C](#) [M85049/1825W06C](#) [M85049/1919N05](#) [M85049/1919W04](#) [M850491919W07](#) [M85049/23-59W](#)
[M85049/23-74W](#) [M8504924-5W](#) [M85049/24-71N](#) [M85049/25-47N](#) [M85049/25-94W](#) [M85049/27S12N](#) [M8504938-13S](#) [M85049/38-19S](#)
[M85049/39-11S](#) [M85049/39-17S](#) [M85049/39-9S](#) [M85049/3W4A2](#)