

MICRO SWITCH

FREEMONT, ILLINOIS, U.S.A.
A DIVISION OF HONEYWELL
FED. MFG. CODE 91929

SWITCH-TOGGLE

CATALOG LISTING
2TL1-12 SERIES

CHART 1

MILITARY STANDARD NUMBER

CATALOG LISTING

AVAILABLE LOCKING COMBINATIONS FOR CONFIGURATION SEE LETTERED DETAILS

STYLE NUMBER

MILITARY RATING (AMPS)

RESISTIVE LOAD		LAMP LOAD		INDUCTIVE LOAD	
DC VOLTS	IAC VOLTS	28 VDC	125 VAC	28 VDC	125 VAC
28	125	250	125	250	7
20	.75	.5	15	6	4
					15

THIS DRAWING COVERS A PROPRIETARY ITEM AND IS THE PROPERTY OF MICRO SWITCH, A DIVISION OF HONEYWELL. THIS DRAWING IS NOT TO BE COPIED OR USED WITHOUT THE APPROVAL OF MICRO SWITCH.

27407-1

2TL1-12

NONE

1

27408-1

2TL1-12

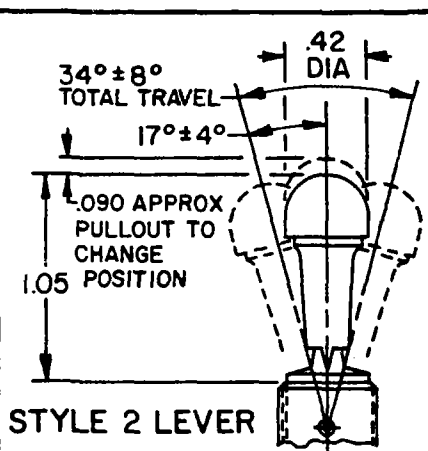
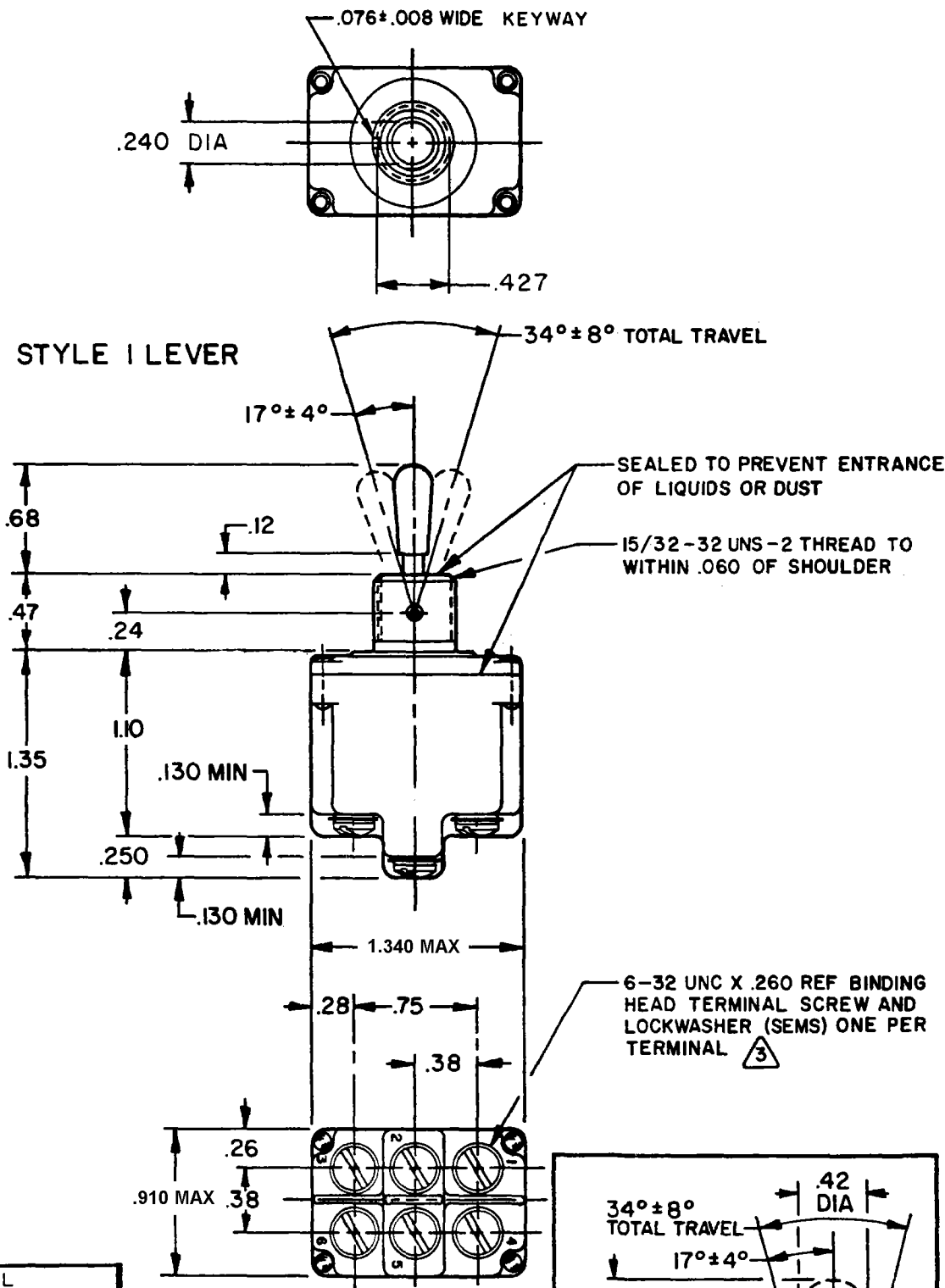
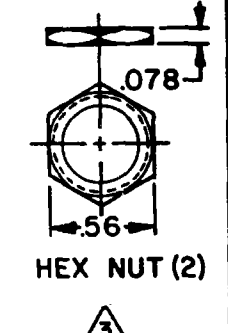
A, B, D, E, F, G, H, J, K, L, M, N, P

2

"A" LOCKED IN THREE POSITIONS	"B" LOCKED IN CENTER AND EXTREME POSITION (KEYWAY SIDE)	"D" LOCKED OUT OF CENTER POSITION	"E" LOCKED IN CENTER POSITION	"F" LOCKED IN EXTREME POSITION (OPPOSITE KEYWAY)	 LOCKWASHER LOCKING RING
"G" LOCKED IN EXTREME POSITION (KEYWAY SIDE)	"H" LOCKED OUT OF CENTER AND EXTREME POSITION (KEYWAY SIDE)	"J" LOCKED OUT OF CENTER AND EXTREME POSITION (OPPOSITE KEYWAY)	"K" LOCKED IN CENTER AND EXTREME POSITION (OPPOSITE KEYWAY)	"L" LOCKED OUT OF EXTREME POSITION (KEYWAY SIDE)	
"M" LOCKED OUT OF AND INTO EXTREME POSITION (OPPOSITE KEYWAY)	"N" LOCKED OUT OF EXTREME POSITION (OPPOSITE KEYWAY)	"P" LOCKED OUT OF AND INTO EXTREME POSITION (KEYWAY SIDE)			

CIRCUIT MADE WITH TOGGLE LEVER IN

KEYWAY SIDE	CENTER	OPPOSITE KEYWAY
MAINTAINED POSITION	MAINTAINED POSITION	MAINTAINED POSITION



NOTES

- SWITCHES ARE CAPABLE OF WITHSTANDING A TEMPERATURE OF 160°F CONTINUOUSLY AT FULL RATED LOAD
- CIRCUIT DESIGNATION, MICRO SWITCH CATALOG LISTING AND MS NUMBER MARKED ON SIDE OF SWITCH
- FURNISHED UNASSEMBLED
- FOR TERMINAL COVER SEE MICRO SWITCH CAT. LIST. 5PA8
- KEYWAY SHOWN ON LEFT SIDE
- SUFFIX LETTER MUST BE ADDED FOR DESIRED TYPE OF TOGGLE LOCKING. SEE CHART FOR AVAILABLE LOCKING COMBINATIONS
- THESE SWITCHES ARE QUALIFIED UNDER MIL-S-3950

CATALOG LISTING
2TL1-12 SERIES CHART 1
PAGE 1 OF 1

ISSUE
M
4

REVISIONS	CHECK	DATE
A	CO	78047
B	SAD	20 AUG 94
C	CO	94432
	CSL	23 NOV 99
	C	0003011
	KRB	05 FEB 04

RELEASE NO. CO-18465 REPLACES 2TL1-12 SERIES

CHECK 06 FEB 04
CHECK 23 JUN 94
CHECK KAG
CHECK 10 JUN 94

SCALE	FULL	
DO NOT SCALE PRINT		
UNLESS OTHERWISE NOTED		
DIMENSIONS ARE IN INCHES		
TOLERANCES ARE:		
ONE PLACE	(.0)	±.030
TWO PLACE	(.00)	±.015
THREE PLACE	(.000)	±.005
ANGLES		
WEIGHT .15 LB APPROX		

15A-125, 250 OR 277 VAC
1/2 HP-125VAC; 1HP-250, 277VAC
5A-125VAC "L" CODE L191

FORMTEK
DRAWN
KDR

X-ON Electronics

Largest Supplier of Electrical and Electronic Components

Click to view similar products for [Toggle Switches](#) category:

Click to view products by [Honeywell](#) manufacturer:

Other Similar products are found below :

[A19HV](#) [8A1-C-222](#) [60012L](#) [6006L](#) [6663](#) [7101MD9V30GE](#) [7101SPDV30BE](#) [7103SDV30BE](#) [7105D](#) [7108P3YAV2BE](#) [71YY50282](#)
[7201MD9AVBE](#) [7301K38](#) [7306K36](#) [7310K36](#) [7314K36](#) [7506K4](#) [7592K6](#) [7691K14](#) [7700K1](#) [8396K108](#) [8824K14](#) [8828K13](#) [G2VX](#) [G3VX](#)
[PS83-121G](#) [A101MD9AB04](#) [A101SD9AB04](#) [A101SDCQ04](#) [A103SD9AQ04](#) [A107TZB04](#) [A123P32YZQ](#) [A123S1YZG](#) [A127S1YCQ](#) [1-](#)
[1825192-0](#) [A131S1YZQ](#) [A201SCWZB04](#) [A207SYCB04](#) [A208J61ZQ0004](#) [A221K12KAG](#) [A221S1YZQ](#) [A221T1TCQ](#) [A232K12KZQ](#)
[A232M1YCQ](#) [A323S1CWZQ](#) [A423S1CWZG-M8](#) [A423S1YZQ](#) [12149A-3V](#) [12156AX408](#) [12147AGKX679](#)