

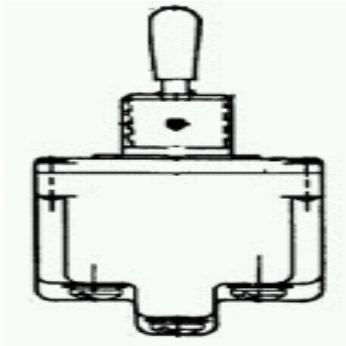


Home > Products > MICRO SWITCH™ Toggle Switches > TL > Product Page

Order Product and Get Support

- U.S. Authorized Distributors
- Global Sales & Service
- N. American Sales Reps
- Distributor Inventory
- Technical Assistance
- White Papers
- Literature Request
- Test and Measurement Catalog
- RoHS Product List
- Customer Feedback

2TL1-10



Actual product appearance may vary.

TL Series Toggle Switch, 2 pole, 3 position, Screw terminal, Standard Lever, Military Part Number MS27407 -4

Features

Qualified to MILS-3950
 Environmentproof sealing
 1,2, and 4 pole circuitry
 Standard and pull-to-unlock levers
 2 and 3 position, maintained and momentary toggle action
 Temperature range: -85° F to +160° F
 Completely sealed switching chamber
 Step-design case provides added space between terminals to help prevent shorting
 UL recognized, CSA certified
 CE approved

Potential Applications

Industrial machinery and equipment
 Military and commercial aviation
 Construction equipment
 Test instruments
 Agricultural machinery
 Process control
 Medical instrumentation

Description

MICRO SWITCH™ TL Series toggle switches have high strength, temperature resistant, non-tracking case material and silver cadmium oxide contacts. Pull-to-unlock toggle levers prevent accidental operation; the lever must be pulled approx. 2,3 mm (0.09 inches) to change positions.

Supporting Documentation

- [▶ Accessory: Lever Sleeve](#)
- [▶ Terminal Identification](#)
- [▶ Accessory: Seals](#)
- [▶ Panel Cutout](#)
- [▶ Accessory: Nuts](#)
- [▶ Engineering Drawing](#)

Product Specifications	
Circuitry/Operating action	
Product Type	MICRO SWITCH™ Toggle Switch
Ampere/Voltage Range (Resistive Load)	0.75 A at 115 Vdc, 0.5 A at 250 Vdc, 0.5 A to 20 A at 0.5 Vdc to 28 Vdc, 0.5 A to 15 A at 0.5 Vac to 277 Vac
Circuitry	DPDT
Action	3 position
Mounting	Bushing 15/32 in
Termination	Screw
Military Part Number	MS27407 - 4
Lever Type	Standard
UL/CSA Rating Code	L191: 15 A - 125, 250, 277 Vac; 1/2 Hp - 125 Vac; 1 Hp - 250, 277 Vac; 5 A - 120 Vac "L"
Comment	Silver cadmium oxide contacts
Availability	Global
UNSPSC Code	30211908
UNSPSC Commodity	30211908 Toggle switches
Series Name	TL

My Links

[Login to iCOM](#)
[Login as Rep/AD](#)
[Login as Guest](#)
[Login to Digital University](#)

Keyword Search

Search for product and support information.

All Sensing and Control

Product Search

Part number search:

Use (*) to expand search

Specification Search

X-ON Electronics

Largest Supplier of Electrical and Electronic Components

Click to view similar products for [Toggle Switches](#) category:

Click to view products by [Honeywell](#) manufacturer:

Other Similar products are found below :

[A19HV](#) [8A1-C-222](#) [60012L](#) [6006L](#) [6663](#) [7101MD9V30GE](#) [7101SPDV30BE](#) [7103SDV30BE](#) [7105D](#) [7108P3YAV2BE](#) [71YY50282](#)
[7201MD9AVBE](#) [7301K38](#) [7306K36](#) [7310K36](#) [7314K36](#) [7506K4](#) [7592K6](#) [7691K14](#) [7700K1](#) [8396K108](#) [8824K14](#) [8828K13](#) [G2VX](#) [G3VX](#)
[PS83-121G](#) [A101MD9AB04](#) [A101SD9AB04](#) [A101SDCQ04](#) [A103SD9AQ04](#) [A107TZB04](#) [A123P32YZQ](#) [A123S1YZG](#) [A127S1YCQ](#) [1-](#)
[1825192-0](#) [A131S1YZQ](#) [A201SCWZB04](#) [A207SYCB04](#) [A208J61ZQ0004](#) [A221K12KAG](#) [A221S1YZQ](#) [A221T1TCQ](#) [A232K12KZQ](#)
[A232M1YCQ](#) [A323S1CWZQ](#) [A423S1CWZG-M8](#) [A423S1YZQ](#) [12149A-3V](#) [12156AX408](#) [12147AGKX679](#)