



**Zakład Mechaniki i Elektroniki
ZAMEL sp.j.**
J.W. Dzida, K. Łodzińska

zAMEL

ul. Zielona 27, 43-200 Pszczyna, Poland
Tel. +48 (32) 210 46 65, Fax +48 (32) 210 80 04
www.zamelcet.com, e-mail: marketing@zamel.pl

DESCRIPTION

The ASH-02 staircase timer is designed for corridor and staircase lighting control. After circuit trigger the timer keeps the light ON for the preset time and then switches it OFF. It has an adjustable ON-time setting of 10 seconds to 14 minutes. On-time may be adjusted by means of a potentiometer. **The timer is fitted with a counter-interlock circuit.** The ASH-02 staircase timer may be applied as a time relay unit for delayed switch-OFF. The timer is placed within a hermetic IP65 casing which assures safe operating under hard weather conditions.

FEATURES

- ☞ Staircase lighting control,
- ☞ Continuous ON-time adjustment of 10 seconds to 14 minutes,
- ☞ Applicable together with single pole push buttons, illuminated,
- ☞ **Counter-interlock function,**
- ☞ Either three-conductor or four-conductor wiring system possible,
- ☞ 0.5 m cable terminal,
- ☞ Hermetic IP65 casing,
- ☞ Relay voltage output, 16 A load.

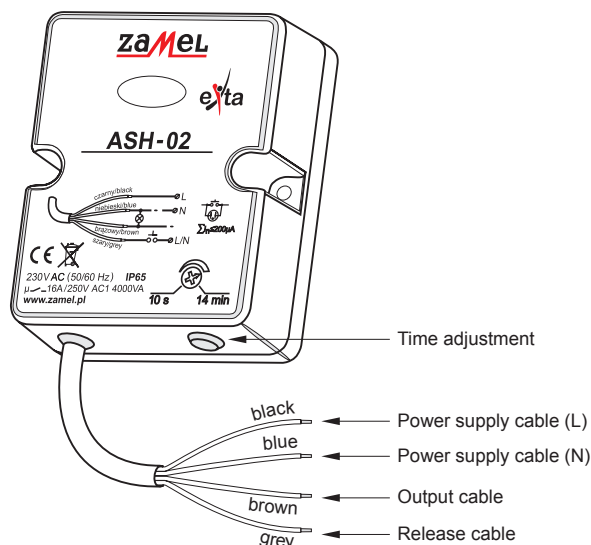


The device is designed for single-phase installation and must be installed in accordance with standards valid in a particular country. The device should be connected according to the details included in this operating manual. Installation, connection and control should be carried out by a qualified electrician staff, who act in accordance with the service manual and the device functions. Disassembling of the device is equal with a loss of guarantee and can cause electric shock. Before installation make sure the connection cables are not under voltage. The cruciform head screwdriver 3,5 mm should be used to instal the device. Improper transport, storage, and use of the device influence its wrong functioning. It is not advisable to instal the device in the following cases: if any device part is missing or the device is damaged or deformed. In case of improper functioning of the device contact the producer.

TECHNICAL PARAMETERS

ASH-02	
Power supply cables:	L (black), N (blue)
Input rated voltage:	230 V~
Input voltage tolerance:	from -15 to +10 %
Nominal frequency:	50 / 60 Hz
Rated power consumption:	33 mA
Release cable:	grey
Output cable:	brown
Time adjustment range:	from 10 sec to 14 min
Time accuracy adjustment:	±10 %
Time repeatability adjustment:	±5 %
Time adjustment:	continuous (rotational potentiometer)
Output relay parameters:	1NO-16 A / 250 V AC1 4000 VA (voltage contact)
Number of switch cables:	4
Section of connecting cables:	4x 1,50 mm ²
Connecting cable length:	0,5 m
Ambient temperature range:	from -20 to +45 °C
Operating position:	vertical, pointed down
Mounting:	2x stretcher 5x(3x30)
Protection degree:	IP65 (PN-EN 60529)
Protective class:	II
Overvoltage category:	II
Pollution degree:	2
Dimensions:	69 x 56 x 27 mm
Weight:	0,120 kg
Reference standards:	PN-EN 60669-1 PN-EN 60669-2-1 PN-EN 61000-4-2,3,4,5,6,11

APPEARANCE



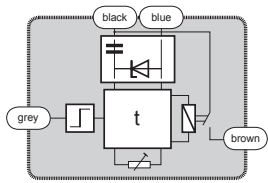
MOUNTING

1. Disconnect the power supply from the mains by the phase fuse, the circuit-breaker or the switch-disconnector that are joined to the proper circuit.
 2. Check if there is no voltage on connection cables by means of a special measure equipment.
 3. Fasten the ASH-02 to the base with the screw.
- NOTICE! It is forbidden to bore fitting holes in the cover! It may result in the loss of containment of the cover and by this – the loss of guarantee!**
4. Connect the cables ASH-02 with the hermetic installation junction box according to installing diagram.
 5. Switch on the power supply from the mains.
 6. Take out the rubber hole plug covering the adjustment of the switch on threshold potentiometer.
 7. Adjust the demanded switch on time by means of a potentiometer.
 8. Put back the rubber hole plug covering the potentiometer.

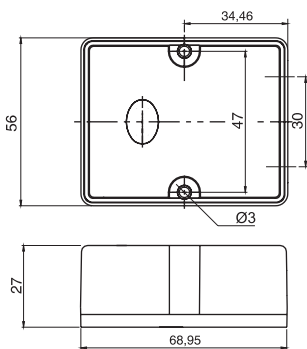
FUNCTIONING

The timer is ready to work just right after its appropriate connecting. The light will be ON for the preset ON-time after the timer is triggered by means of a single pole push button. When the preset time is over, the light will be OFF automatically until the timer is triggered once again. The staircase timer may be connected to either threeconductor or four-conductor wiring. Check carefully if the trigger and load circuits have been connected correctly. The timer may be damaged if connected inappropriately. In case of the trigger push button blocking the counter-interlock circuit switches OFF the light.

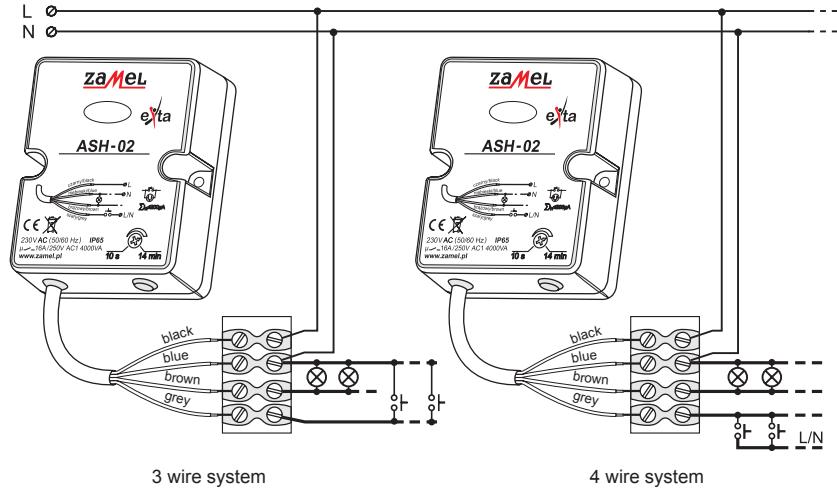
INNER DIAGRAM



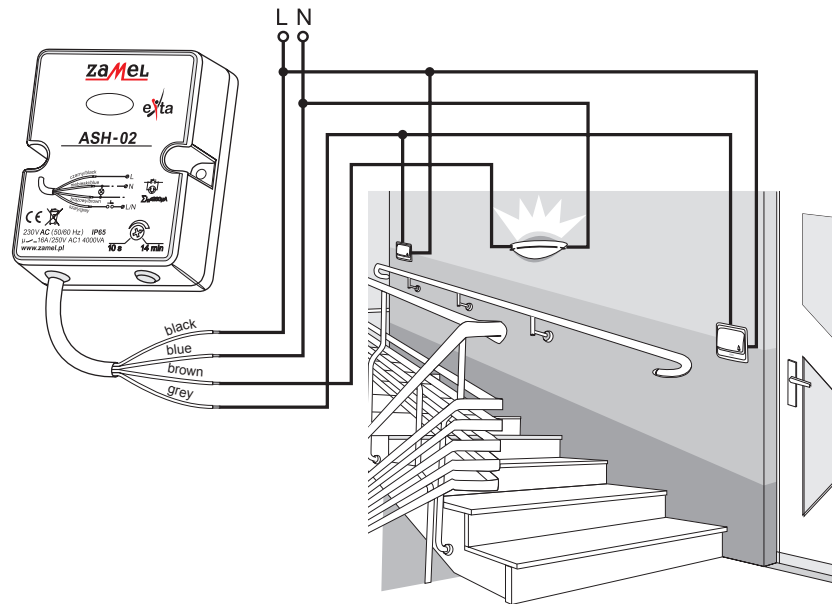
DIMENSIONS



CONNECTING

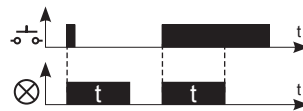


EXAMPLE OF INSTALLATION

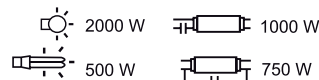


The staircase timer controls the staircase lighting and operates in four-conductor wiring configuration. It is possible to connect the single pole push buttons (e.g. illuminated) in parallel.

TIME COURSE



RELAY CAPACITY



PRODUCT FAMILY

The ASH-02 is a member of the ASx staircase timer family.

ASx - xx (/24V)

Version 24 V AC/DC
for ASM-02 available

Device version:

- 01 – three- or four-conductor wiring
- 02 – anti-lock system
- 10 – dimmer function

Type of casing:

- M – monomodular
- N – surface mounting
- H – hermetical
- P – for junction box mounting

Device symbol

X-ON Electronics

Largest Supplier of Electrical and Electronic Components

Click to view similar products for [Power Management IC Development Tools](#) category:

Click to view products by [Zamel](#) manufacturer:

Other Similar products are found below :

[EVAL6482H-DISC](#) [EVAL-AD5522EBUZ](#) [EVAL-ADM1060EBZ](#) [EVAL-ADM1073MEBZ](#) [EVAL-ADM1166TQEBZ](#) [EVAL-ADM1168LQEBZ](#) [EVAL-ADM1171EBZ](#) [EVAL-ADM1276EBZ](#) [EVB-EN5319QI](#) [EVB-EN5365QI](#) [EVB-EN6347QI](#) [EVB-EP5348UI](#) [MIC23158YML EV](#) [MIC23451-AAAYFL EV](#) [MIC5281YMME EV](#) [124352-HMC860LP3E](#) [ADM00513](#) [ADM8611-EVALZ](#) [ADM8612-EVALZ](#) [ADM8613-EVALZ](#) [ADM8615-EVALZ](#) [ADP1046ADC1-EVALZ](#) [ADP1055-EVALZ](#) [ADP122-3.3-EVALZ](#) [ADP130-0.8-EVALZ](#) [ADP130-1.2-EVALZ](#) [ADP130-1.5-EVALZ](#) [ADP130-1.8-EVALZ](#) [ADP160UJZ-REDYKIT](#) [ADP166UJ-EVALZ](#) [ADP1712-3.3-EVALZ](#) [ADP1714-3.3-EVALZ](#) [ADP1715-3.3-EVALZ](#) [ADP1716-2.5-EVALZ](#) [ADP1740-1.5-EVALZ](#) [ADP1752-1.5-EVALZ](#) [ADP1754-1.5-EVALZ](#) [ADP1828LC-EVALZ](#) [ADP1870-0.3-EVALZ](#) [ADP1871-0.6-EVALZ](#) [ADP1873-0.6-EVALZ](#) [ADP1874-0.3-EVALZ](#) [ADP1876-EVALZ](#) [ADP1879-1.0-EVALZ](#) [ADP1882-1.0-EVALZ](#) [ADP1883-0.6-EVALZ](#) [ADP197CB-EVALZ](#) [ADP199CB-EVALZ](#) [ADP2102-1.25-EVALZ](#) [ADP2102-1.2-EVALZ](#)