



**Zakład Mechaniki i Elektroniki  
ZAMEL sp.j.**  
J.W. Dzida, K. Łodzińska



ul. Zielona 27, 43-200 Pszczyna, Poland  
Tel. +48 (32) 210 46 65, Fax +48 (32) 210 80 04  
www.zamelcet.com, e-mail: marketing@zamel.pl

## DESCRIPTION

The ASN-02 staircase timer is designed for corridor and staircase lighting control. After circuit triggering the timer keeps the light ON for the preset time and then switches it OFF. It has an adjustable ON-time setting of 10 seconds to 14 minutes. ON-time may be adjusted by means of a potentiometer placed on the timer front panel. **The timer is fitted with a counter-interlock circuit.** The ASN-02 staircase timer may be applied as a time relay for delayed switch OFF. The device is placed within a surface-mounted casing and may be mounted onto the flat surfaces.

## FEATURES

- ☞ Staircase lighting control,
- ☞ Continuous on-time adjustment of 10 seconds to 14 minutes,
- ☞ Relay state indicator red LED,
- ☞ Applicable together with single pole push buttons, illuminated,
- ☞ **Counter-interlock function,**
- ☞ Either three-conductor or four-conductor wiring system possible,
- ☞ Surface-mounted casing,
- ☞ Relay voltage output, maximum load 16 A.



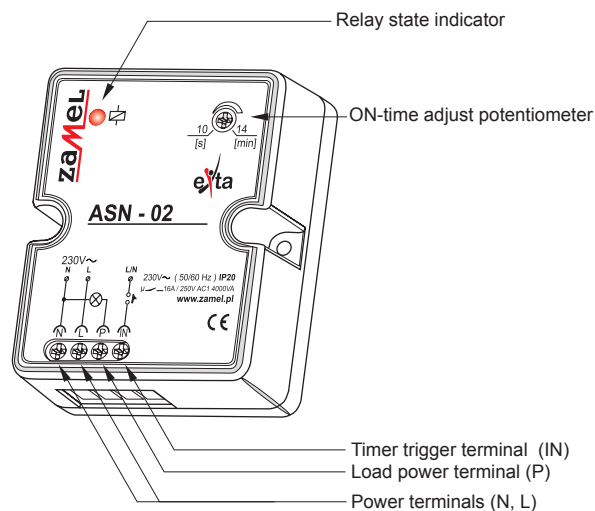
The device should be connected to a single-phase system accordingly to current standards. The device connection will be described in this manual. Only qualified electricians are allowed to connect, assembly and adjust the timer. It is necessary to read this manual before the timer mounting. Do not disassembly the timer casing or you will lose any warranty rights and expose yourself to the electric shock hazard. Before mounting operation make sure of disconnecting the connection wires from the electric network. Use a cross-head screwdriver of 3.5 mm diameter to mount the device. The timer should be carried, stored and used in an appropriate way. Do not mount the timer in case of any device parts lack, damage or deformation. In case of malfunction please notify the manufacturer.

## TECHNICAL DATA

### ASN - 02

Power terminals:	L, N
Rated voltage:	230 V~
Rated voltage tolerance:	-15 ÷ +10 %
Rated frequency:	50 / 60 Hz
Rated current:	33 mA
Trigger terminal:	IN
Load power terminal:	P
Relay state indicator:	red LED
ON-time adjustment range:	10 s ÷ 14 min
ON-time setting accuracy:	±10 %
ON-time setting repeatability:	±5 %
ON-time setting:	continuous (potentiometer)
Relay contacts parameters:	1NO-16 A / 250 V AC1 4000 VA (voltage contact)
Connection terminals quantity:	4
Connection wire section:	0,2 ÷ 2,50 mm <sup>2</sup>
Operating temperature:	-20 ÷ +45 °C
Operating position:	optional
Casing fastening:	5x(3x20) strut pins, 2 pieces
Casing IP:	IP20 (PN-EN 60529)
Protection class:	II
Overvoltage category:	II
Pollution level:	2
Dimensions:	69x56x27 mm
Weight:	67 g
Standard conformity:	PN-EN 60669-1 PN-EN 60669-2-1 PN-EN 61000-4-2,3,4,5,6,11

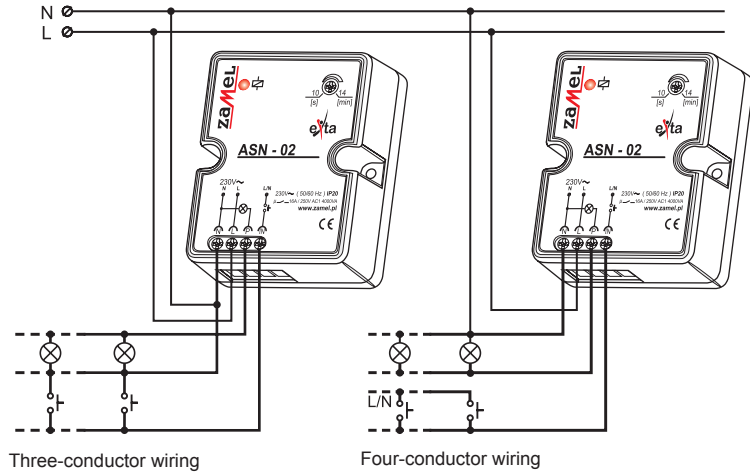
## APPEARANCE



## ASSEMBLY

1. Disconnect the electric network by means of an appropriate cut-off, current-limiting circuit-breaker or separator.
2. Check if there is no any voltage between power leads by means of an appropriate gauge.
3. Fasten the **ASN-02** timer to the base by means of screws.
4. Connect the system leads to the terminals accordingly to the electrical diagram.
5. Connect power supply circuit.
6. Adjust the light ON-time by means of the potentiometer.

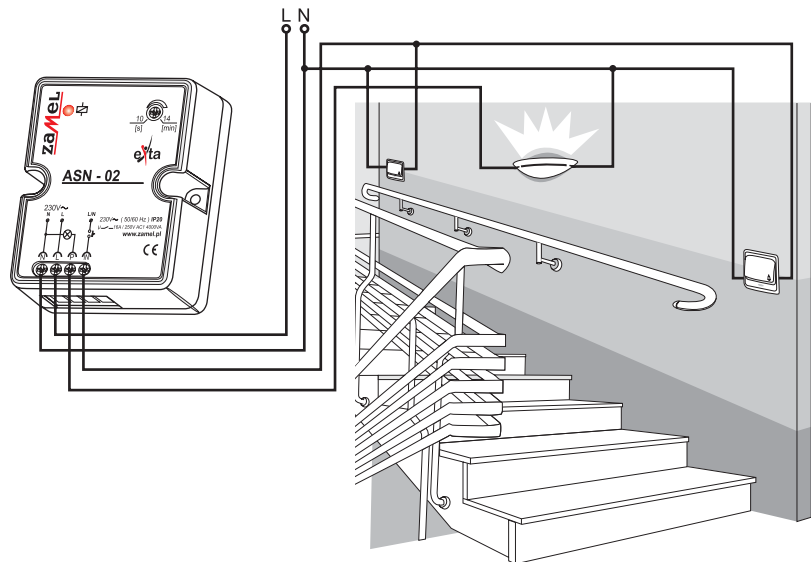
## CONNECTIONS



## OPERATION

The timer is ready to work just right after its appropriate connecting. The light will be ON for the preset ON-time after the timer is triggered by means of a single pole push button. When the preset time is over, the light will be OFF automatically until the timer is triggered once again. The staircase timer may be connected to either three-conductor or four-conductor wiring. Check carefully if the trigger and load circuits have been connected correctly. The timer may be damaged if connected inappropriately. In case of the trigger push button blocking the counter-interlock circuit switches OFF the light.

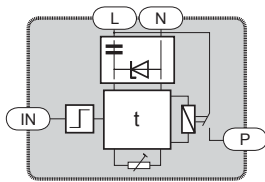
## APPLICATION



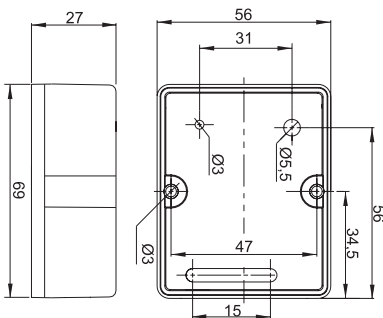
### Typical applications:

The staircase timer controls the staircase lighting and operates in three-conductor wiring configuration. It is possible to connect the single pole push buttons (e.g. illuminated) in parallel.

## UNIT DIAGRAM



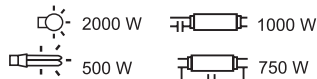
## CASING DIMENSIONS



## TIME DIAGRAMMS



## OBCIĄŻALNOŚĆ



## PRODUCT FAMILY

ASN-02 is a member of the ASx staircase timer family.

### ASx - xx (24V)

24 V AC/DC version  
for ASM-02 available

Device version:  
01 – three- or four-conductor wiring  
02 – built-in counter-interlocking circuit  
10 – dimmer function

Casing type:  
M – single-module  
N – surface-mounted  
H – hermetic  
P – for junction box mounting

Device symbol

## X-ON Electronics

Largest Supplier of Electrical and Electronic Components

*Click to view similar products for [Power Management IC Development Tools](#) category:*

*Click to view products by [Zamel](#) manufacturer:*

Other Similar products are found below :

[EVAL6482H-DISC](#) [EVAL-AD5522EBUZ](#) [EVAL-ADM1060EBZ](#) [EVAL-ADM1073MEBZ](#) [EVAL-ADM1166TQEBZ](#) [EVAL-ADM1168LQEBZ](#) [EVAL-ADM1171EBZ](#) [EVAL-ADM1276EBZ](#) [EVB-EN5319QI](#) [EVB-EN5365QI](#) [EVB-EN6347QI](#) [EVB-EP5348UI](#) [MIC23158YML EV](#) [MIC23451-AAAYFL EV](#) [MIC5281YMME EV](#) [124352-HMC860LP3E](#) [ADM00513](#) [ADM8611-EVALZ](#) [ADM8612-EVALZ](#) [ADM8613-EVALZ](#) [ADM8615-EVALZ](#) [ADP1046ADC1-EVALZ](#) [ADP1055-EVALZ](#) [ADP122-3.3-EVALZ](#) [ADP130-0.8-EVALZ](#) [ADP130-1.2-EVALZ](#) [ADP130-1.5-EVALZ](#) [ADP130-1.8-EVALZ](#) [ADP160UJZ-REDYKIT](#) [ADP166UJ-EVALZ](#) [ADP1712-3.3-EVALZ](#) [ADP1714-3.3-EVALZ](#) [ADP1715-3.3-EVALZ](#) [ADP1716-2.5-EVALZ](#) [ADP1740-1.5-EVALZ](#) [ADP1752-1.5-EVALZ](#) [ADP1754-1.5-EVALZ](#) [ADP1828LC-EVALZ](#) [ADP1870-0.3-EVALZ](#) [ADP1871-0.6-EVALZ](#) [ADP1873-0.6-EVALZ](#) [ADP1874-0.3-EVALZ](#) [ADP1876-EVALZ](#) [ADP1879-1.0-EVALZ](#) [ADP1882-1.0-EVALZ](#) [ADP1883-0.6-EVALZ](#) [ADP197CB-EVALZ](#) [ADP199CB-EVALZ](#) [ADP2102-1.25-EVALZ](#) [ADP2102-1.2-EVALZ](#)