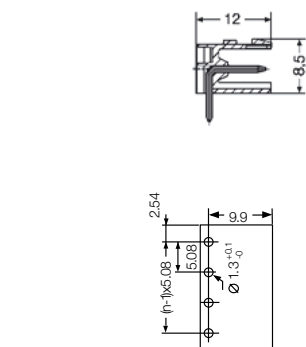


Omnimate Range - Pitch 5.08 mm



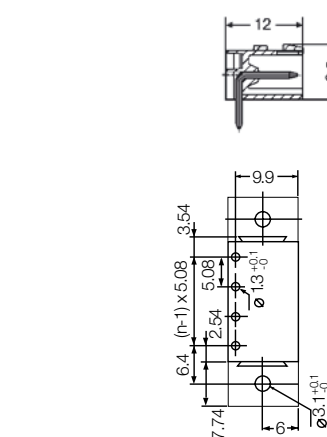
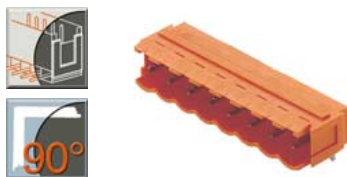
Pin headers SL 5.08/90



Technical Data		VDE	UL	CSA
Rated voltage	V	250*	300	300
Rated current	A	12	10	10

*Overvoltage category III / Pollution severity 3
Additional technical data see page 216

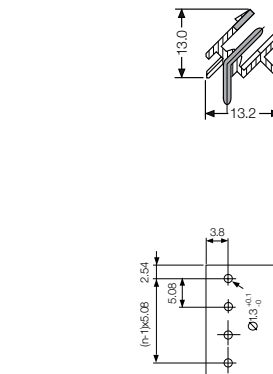
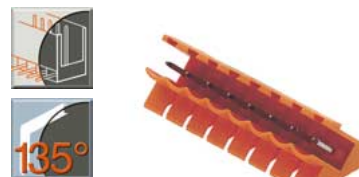
Pin headers SL 5.08/90B



Technical Data		VDE	UL	CSA
Rated voltage	V	250*	300	300
Rated current	A	12	10	10

*Overvoltage category III / Pollution severity 3
Additional technical data see page 216

Pin headers SL 5.08/135



Technical Data		VDE	UL	CSA
Rated voltage	V	250*	300	300
Rated current	A	12	10	10

*Overvoltage category III / Pollution severity 3
Additional technical data see page 216

Solder pin length 3.2 mm 4.5 mm

Colour				
Poles	Type	Cat. No.	Cat. No.	Qty.
2	SL 5.08/2/90	1508060000	1512610000	100
3	SL 5.08/3/90	1508160000	1512710000	100
4	SL 5.08/4/90	1508260000	1512810000	100
5	SL 5.08/5/90	1508360000	1512910000	50
6	SL 5.08/6/90	1508460000	1513010000	50
7	SL 5.08/7/90	1508560000	1513110000	50
8	SL 5.08/8/90	1508660000	1513210000	50
9	SL 5.08/9/90	1508760000	1513310000	50
10	SL 5.08/10/90	1508860000	1513410000	50
11	SL 5.08/11/90	1508960000	1513510000	50
12	SL 5.08/12/90	1509060000	1513610000	50
13	SL 5.08/13/90	1509160000	1513710000	50
14	SL 5.08/14/90	1509260000	1513810000	50
15	SL 5.08/15/90	1509360000	1513910000	50
16	SL 5.08/16/90	1509460000	1514010000	50
17	SL 5.08/17/90	1509560000	1514110000	20
18	SL 5.08/18/90	1509660000	1514210000	20
19	SL 5.08/19/90	1509760000	1514310000	20
20	SL 5.08/20/90	1509860000	1514410000	20
21	SL 5.08/21/90	1509960000	1514510000	20
22	SL 5.08/22/90	1510060000	1514610000	20
23	SL 5.08/23/90	1510160000	1514710000	20
24	SL 5.08/24/90	1510260000	1514810000	20

Accessories	Page
Fixing	-
Marking	196
Coding	198, 199
Miscellaneous	205

Solder pin length 3.2 mm 4.5 mm

Colour				
Poles	Type	Cat. No.	Cat. No.	Qty.
2	SL 5.08/2/90B	1510360000	1514910000	100
3	SL 5.08/3/90B	1510460000	1515010000	100
4	SL 5.08/4/90B	1510560000	1515110000	100
5	SL 5.08/5/90B	1510660000	1515210000	50
6	SL 5.08/6/90B	1510760000	1515310000	50
7	SL 5.08/7/90B	1510860000	1515410000	50
8	SL 5.08/8/90B	1510960000	1515510000	50
9	SL 5.08/9/90B	1511060000	1515610000	50
10	SL 5.08/10/90B	1511160000	1515710000	50
11	SL 5.08/11/90B	1511260000	1515810000	50
12	SL 5.08/12/90B	1511360000	1515910000	50
13	SL 5.08/13/90B	1511460000	1516010000	50
14	SL 5.08/14/90B	1511560000	1516110000	50
15	SL 5.08/15/90B	1511660000	1516210000	50
16	SL 5.08/16/90B	1511760000	1516310000	50
17	SL 5.08/17/90B	1511860000	1516410000	20
18	SL 5.08/18/90B	1511960000	1516510000	20
19	SL 5.08/19/90B	1512060000	1516610000	20
20	SL 5.08/20/90B	1512160000	1516710000	20
21	SL 5.08/21/90B	1512260000	1516810000	20
22	SL 5.08/22/90B	1512360000	1516910000	20
23	SL 5.08/23/90B	1512460000	1517010000	20
24	SL 5.08/24/90B	1512560000	1517110000	20

Accessories	Page
Fixing	193
Marking	196
Coding	198, 199
Miscellaneous	205

Solder pin length 3.2 mm 4.5 mm

Colour				
Poles	Type	Cat. No.	Cat. No.	Qty.
2	SL 5.08/2/135	1603060000	1635270000	100
3	SL 5.08/3/135	1603070000	1635280000	100
4	SL 5.08/4/135	1603080000	1635290000	100
5	SL 5.08/5/135	1603090000	1635300000	50
6	SL 5.08/6/135	1603100000	1635310000	50
7	SL 5.08/7/135	1603110000	1635320000	50
8	SL 5.08/8/135	1603120000	1635330000	50
9	SL 5.08/9/135	1603130000	1635340000	50
10	SL 5.08/10/135	1603140000	1635350000	50
11	SL 5.08/11/135	1603150000	1635360000	50
12	SL 5.08/12/135	1603160000	1635370000	50
13	SL 5.08/13/135	1603170000	1635380000	50
14	SL 5.08/14/135	1603180000	1635390000	50
15	SL 5.08/15/135	1603190000	1635400000	50
16	SL 5.08/16/135	1603200000	1635410000	50
17	SL 5.08/17/135	1603210000	1635420000	20
18	SL 5.08/18/135	1603220000	1635430000	20
19	SL 5.08/19/135	1603230000	1635440000	20
20	SL 5.08/20/135	1603240000	1635450000	20
21	SL 5.08/21/135	1603250000	1635460000	20
22	SL 5.08/22/135	1603260000	1635470000	20
23	SL 5.08/23/135	1603270000	1635480000	20
24	SL 5.08/24/135	1603280000	1635490000	20

Accessories	Page
Fixing	-
Marking	196
Coding	198, 199
Miscellaneous	-

X-ON Electronics

Largest Supplier of Electrical and Electronic Components

Click to view similar products for [weidmuller](#) manufacturer:

Other Similar products are found below :

[8924550000](#) [56956](#) [0133660000](#) [6720000227](#) [6720005111](#) [68676](#) [69718](#) [EXO24CH](#) [7940000218](#) [8005181001](#) [8008180000](#) [8432240000](#)
[8463580000](#) [8545830000](#) [8689870000](#) [8705640000](#) [8869870000](#) [9001080000](#) [9003720000](#) [9004250000](#) [9004780000](#) [9013260000](#)
[9014100000](#) [9019040000](#) [9026010000](#) [9028630000](#) [903708](#) [9037350000](#) [9046290000](#) [9129643500](#) [913155](#) [9159530000](#) [919656](#) [919764](#)
[9202230000](#) [9202850000](#) [9204260000](#) [9456750000](#) [9457913000](#) [980811](#) [980826](#) [9912800003](#) [9916080000](#) [9916280012](#) [9918380000](#)
[9919371205](#) [9919371224](#) [9925710000](#) [9926252005](#) [9927480024](#)