

# DTSN-26 NANOPERM COMMON MODE CHOKES



## APPLICATIONS:

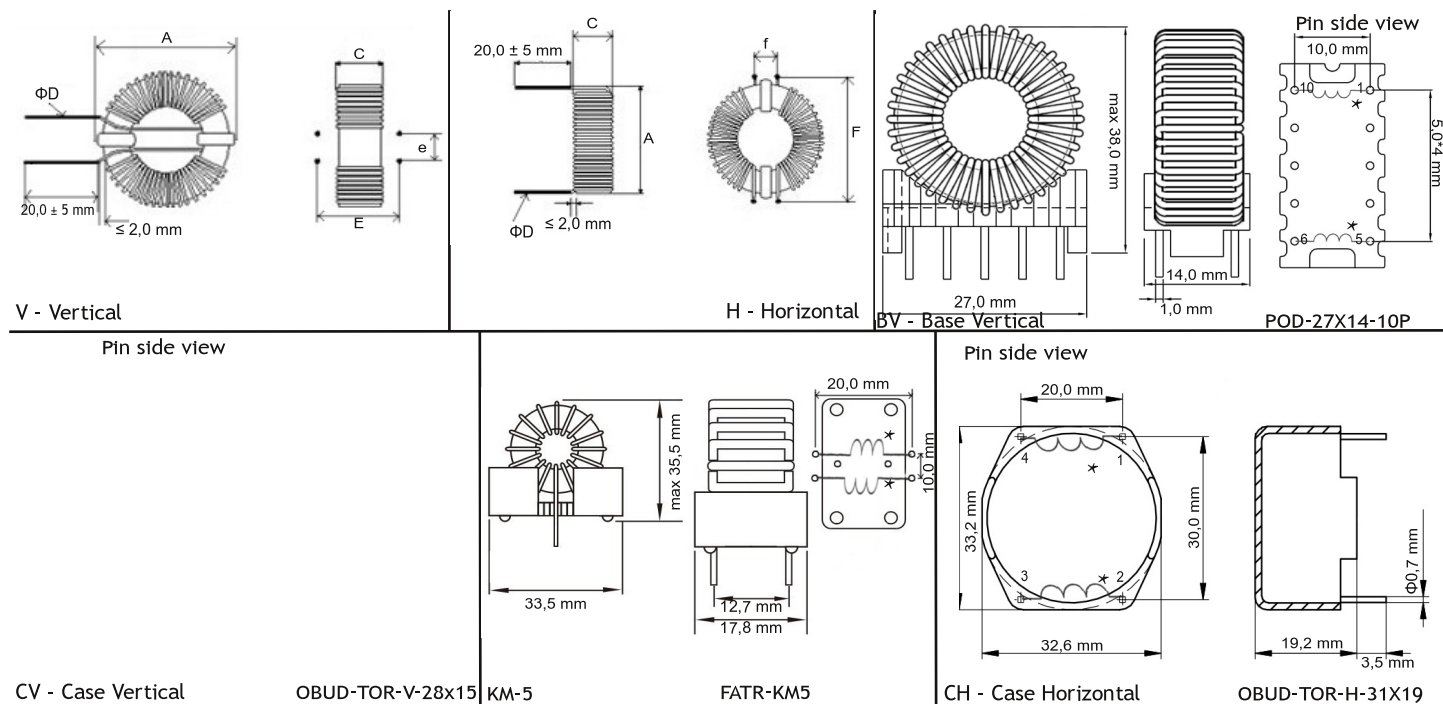
- SMPS transformers
- current transformers
- control transformers
- current compensated chokes
- chokes operating in saturation (thyristor and triac systems)

## ORDERING CODE:

DTSN - 26 / 220 / 1,0- -V

mounting: V - vertical, H - horizontal, BV - base vertical, CV - case vertical, CH - case horizontal, KM-5 - case KM-5 type  
 rated current in Amps  
 inductance in mH@ $I_{DC} = 0A$   
 sendust core outer diameter  
 product symbol

## DIMENSIONS:

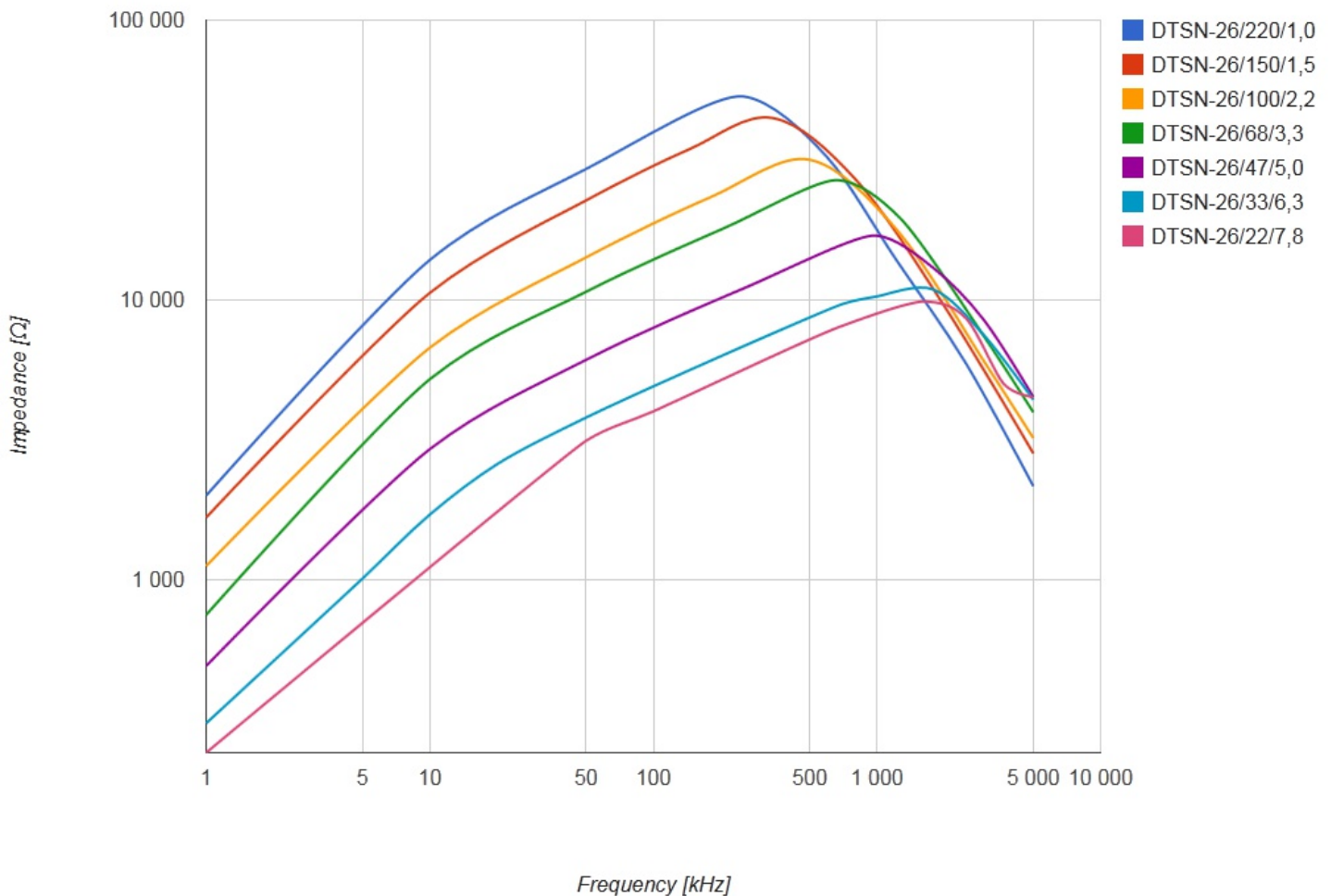


Part number	Type - core dimension ( $\pm 10\%$ )							Mounting version					
	A [mm]	C [mm]	D [mm]	E [mm]	e [mm]	F [mm]	f [mm]	V	H	BV	CV	CH	KM-5
DTSN-26/220/1,0	28,0	14,0	0,35	17,0	6,0	28,0	7,5	✓	✓	✓	✓	✓	✓
DTSN-26/150/1,5	28,5	15,0	0,45	17,0	6,0	28,0	7,5	✓	✓	✓	✓	✓	✓
DTSN-26/100/2,2	29,0	15,0	0,53	17,0	6,0	28,0	7,5	✓	✓	✓	✓	✓	✓
DTSN-26/68/3,3	30,0	15,5	0,65	17,0	6,0	28,0	7,5	✓	✓	✓	✓	✓	✓
DTSN-26/47/5,0	31,5	16,0	0,80	17,0	6,0	28,0	7,5	✓	✓	-	-	-	✓
DTSN-26/33/6,3	31,5	16,0	0,90	17,0	6,0	28,0	7,5	✓	✓	-	-	-	✓
DTSN-26/22/7,8	31,5	16,5	1,00	17,0	6,0	28,0	7,5	✓	✓	-	-	-	✓

**ELECTRICAL PROPERTIES:**

Part number	Lmax [mH]	I <sub>max</sub> [A]	RDC [Ω]
DTSN-26/220/1,0	2x220	1,0	0,382
DTSN-26/150/1,5	2x150	1,5	0,214
DTSN-26/100/2,2	2x100	2,2	0,137
DTSN-26/68/3,3	2x68	3,3	0,085
DTSN-26/47/5,0	2x47	5,0	0,056
DTSN-26/33/6,3	2x33	6,3	0,047
DTSN-26/22/7,8	2x22	7,8	0,043

**CHARACTERISTICS:**



## X-ON Electronics

Largest Supplier of Electrical and Electronic Components

*Click to view similar products for [Fixed Inductors](#) category:*

*Click to view products by [Feryster](#) manufacturer:*

Other Similar products are found below :

[MLZ1608M6R8WTD25](#) [MLZ1608N6R8LT000](#) [MLZ1608N3R3LTD25](#) [MLZ1608N3R3LT000](#) [MLZ1608N150LT000](#)

[MLZ1608M150WTD25](#) [MLZ1608M3R3WTD25](#) [MLZ1608M3R3WT000](#) [MLZ1608M150WT000](#) [MLZ1608A1R5WT000](#)

[MLZ1608N1R5LT000](#) [B82432C1333K000](#) [PCMB053T-1R0MS](#) [PCMB053T-1R5MS](#) [PCMB104T-1R5MS](#) [CR32NP-100KC](#) [CR32NP-](#)

[151KC](#) [CR32NP-180KC](#) [CR32NP-181KC](#) [CR32NP-1R5MC](#) [CR32NP-390KC](#) [CR32NP-3R9MC](#) [CR32NP-680KC](#) [CR32NP-820KC](#)

[CR32NP-8R2MC](#) [CR43NP-390KC](#) [CR43NP-560KC](#) [CR43NP-680KC](#) [CR54NP-181KC](#) [CR54NP-470LC](#) [CR54NP-820KC](#) [CR54NP-8R5MC](#)

[MGDQ4-00004-P](#) [MGDU1-00016-P](#) [MHL1ECTTP18NJ](#) [MHL1JCTTD12NJ](#) [PE-51506NL](#) [PE-53601NL](#) [PE-53630NL](#) [PE-53824SNLT](#) [PE-](#)

[62892NL](#) [PE-92100NL](#) [PG0434.801NLT](#) [PG0936.113NLT](#) [PM06-2N7](#) [PM06-39NJ](#) [HC2LP-R47-R](#) [HC2-R47-R](#) [HC3-2R2-R](#) [HC8-1R2-R](#)