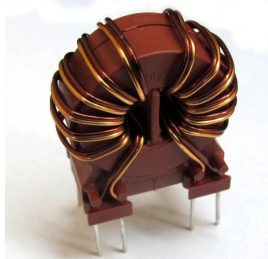


DTSN-28 NANOPERM COMMON MODE CHOKES



APPLICATIONS:

- SMPS transformers
- current transformers
- control transformers
- current compensated chokes
- chokes operating in saturation (thyristor and triac systems)

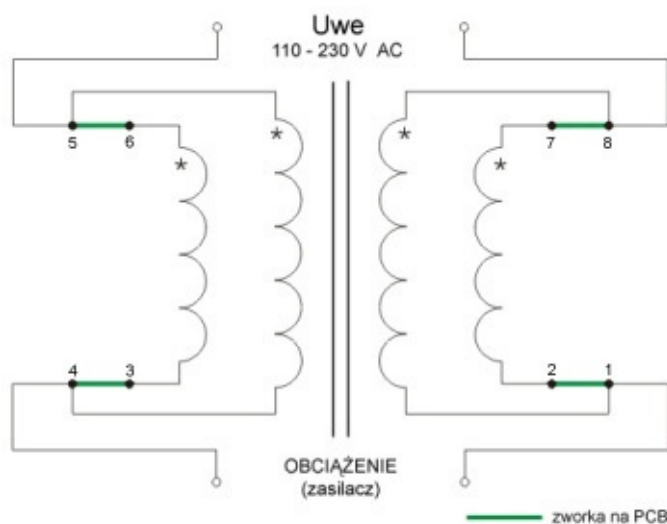
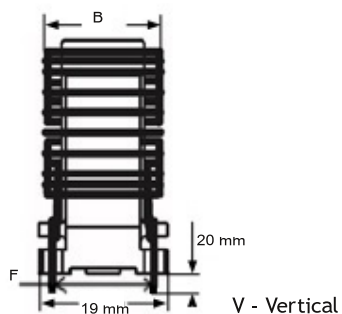
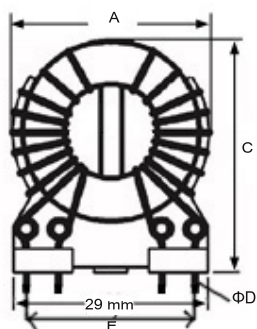
ORDERING CODE:

DTSN- 28 / 2,2 / 0,3 - P

mounting: P - base vertical

rated current in Amps
inductance in mH@ $I_{DC} = 0A$
core outer diameter
product symbol

DIMENSIONS:

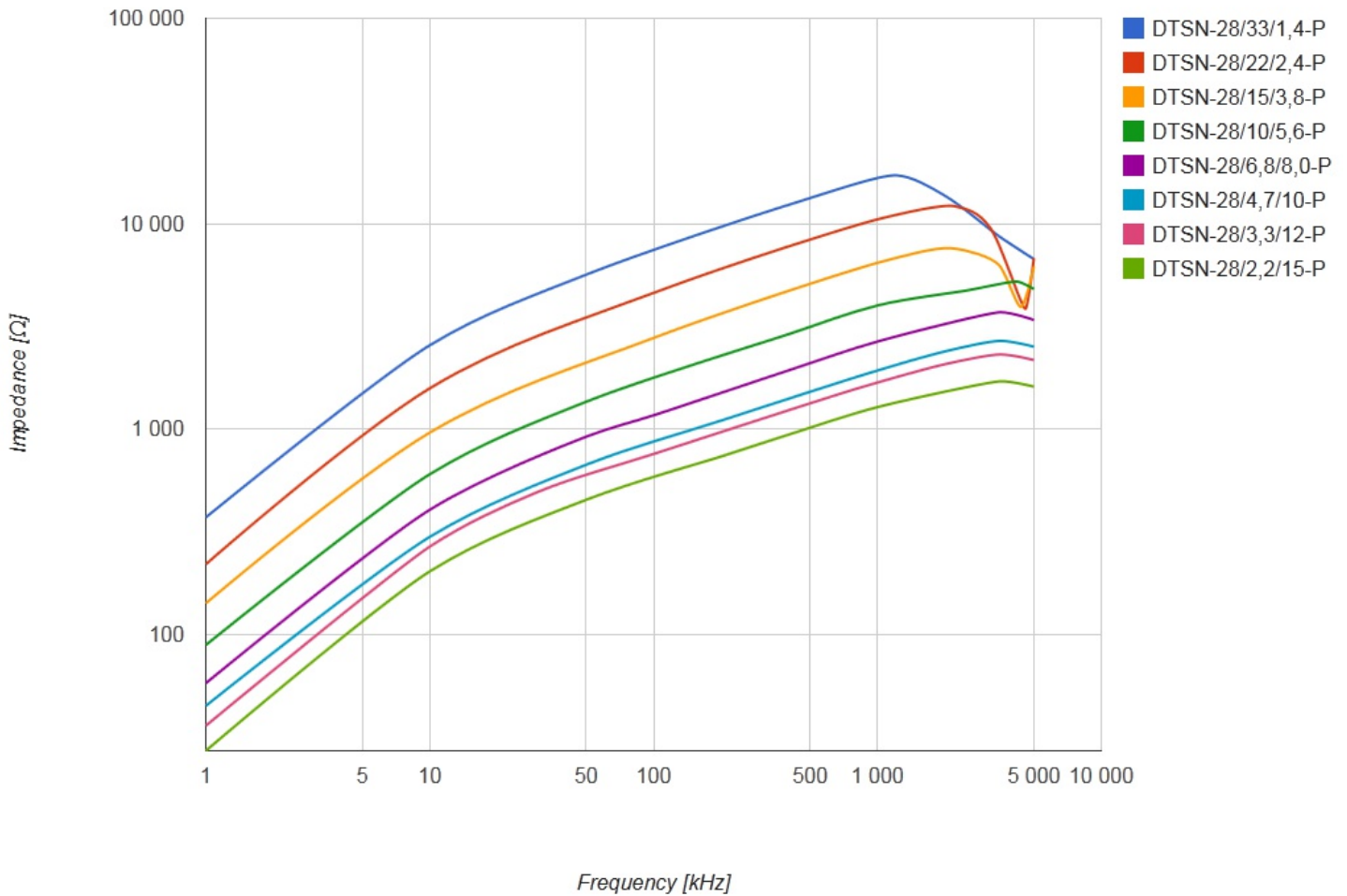


| Part number | Type - core dimension ($\pm 10\%$) | | | | | | Mounting version | | | | |
|-------------------|--------------------------------------|--------|--------|--------|-----------------|--------|------------------|---|----|----|----|
| | A [mm] | B [mm] | C [mm] | D [mm] | E [mm] | F [mm] | V | H | BV | CV | CH |
| DTSN-28/33/1,4-P | 32.0 | 14,0 | 38,0 | 2x0,3 | 1x15.24, 2x5.08 | 15.24 | — | — | ✓ | — | — |
| DTSN-28/22/2,4-P | 32.5 | 14,5 | 38,0 | 2x0,4 | 1x15.24, 2x5.08 | 15.24 | — | — | ✓ | — | — |
| DTSN-28/15/3,8-P | 33.0 | 15,0 | 38,0 | 2x0,5 | 1x15.24, 2x5.08 | 15.24 | — | — | ✓ | — | — |
| DTSN-28/10/5,6-P | 33.5 | 15,5 | 38,0 | 2x0,6 | 1x15.24, 2x5.08 | 15.24 | — | — | ✓ | — | — |
| DTSN-28/6,8/8,0-P | 33.5 | 16,0 | 38,0 | 2x0,71 | 1x15.24, 2x5.08 | 15.24 | — | — | ✓ | — | — |
| DTSN-28/4,7/10-P | 34.0 | 16,0 | 38,0 | 2x0,8 | 1x15.24, 2x5.08 | 15.24 | — | — | ✓ | — | — |
| DTSN-28/3,3/12-P | 34.5 | 16,5 | 38,0 | 2x0,9 | 1x15.24, 2x5.08 | 15.24 | — | — | ✓ | — | — |
| DTSN-28/2,2/15-P | 35.0 | 16,5 | 38,0 | 2x1,0 | 1x15.24, 2x5.08 | 15.24 | — | — | ✓ | — | — |

ELECTRICAL PROPERTIES:

| Part number | Lmax [mH] | I _{max} [A] | RDC [Ω] |
|-------------------|-----------|----------------------|---------|
| DTSN-28/33/1,4-P | 2x33 | 1,4 | 0,120 |
| DTSN-28/22/2,4-P | 2x22 | 2,4 | 0,090 |
| DTSN-28/15/3,8-P | 2x15 | 3,8 | 0,050 |
| DTSN-28/10/5,6-P | 2x10 | 5,6 | 0,018 |
| DTSN-28/6,8/8,0-P | 2x6,8 | 8,0 | 0,010 |
| DTSN-28/4,7/10-P | 2x4,7 | 10,0 | 0,006 |
| DTSN-28/3,3/12-P | 2x3,3 | 12,0 | 0,005 |
| DTSN-28/2,2/15-P | 2x2,2 | 15,0 | 0,004 |

CHARACTERISTICS:



X-ON Electronics

Largest Supplier of Electrical and Electronic Components

Click to view similar products for [Fixed Inductors](#) category:

Click to view products by [Feryster](#) manufacturer:

Other Similar products are found below :

[MLZ1608M6R8WTD25](#) [MLZ1608N6R8LT000](#) [MLZ1608N3R3LTD25](#) [MLZ1608N3R3LT000](#) [MLZ1608N150LT000](#)
[MLZ1608M150WTD25](#) [MLZ1608M3R3WTD25](#) [MLZ1608M3R3WT000](#) [MLZ1608M150WT000](#) [MLZ1608A1R5WT000](#)
[MLZ1608N1R5LT000](#) [B82432C1333K000](#) [PCMB053T-1R0MS](#) [PCMB053T-1R5MS](#) [PCMB104T-1R5MS](#) [CR32NP-100KC](#) [CR32NP-151KC](#) [CR32NP-180KC](#) [CR32NP-181KC](#) [CR32NP-1R5MC](#) [CR32NP-390KC](#) [CR32NP-3R9MC](#) [CR32NP-680KC](#) [CR32NP-820KC](#)
[CR32NP-8R2MC](#) [CR43NP-390KC](#) [CR43NP-560KC](#) [CR43NP-680KC](#) [CR54NP-181KC](#) [CR54NP-470LC](#) [CR54NP-820KC](#) [CR54NP-8R5MC](#)
[MGDQ4-00004-P](#) [MGDU1-00016-P](#) [MHL1ECTTP18NJ](#) [MHL1JCTTD12NJ](#) [PE-51506NL](#) [PE-53601NL](#) [PE-53630NL](#) [PE-53824SNLT](#) [PE-62892NL](#) [PE-92100NL](#) [PG0434.801NLT](#) [PG0936.113NLT](#) [PM06-2N7](#) [PM06-39NJ](#) [HC2LP-R47-R](#) [HC2-R47-R](#) [HC3-2R2-R](#) [HC8-1R2-R](#)