

DTSN-33 NANOPERM COMMON MODE CHOKES



APPLICATIONS:

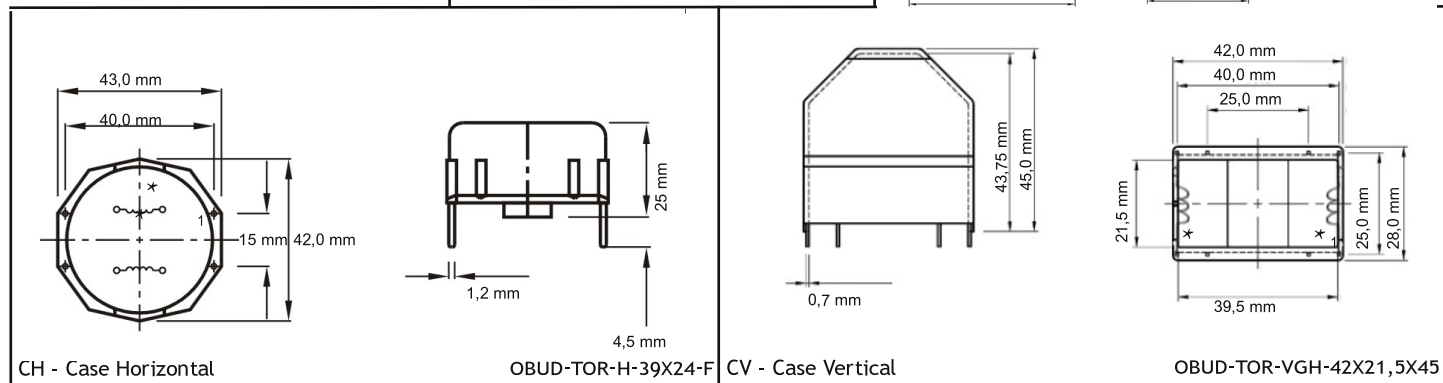
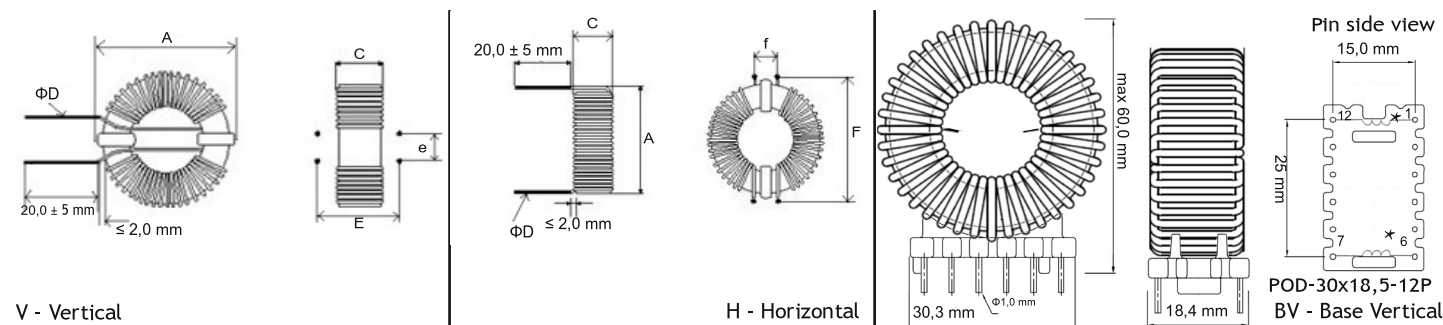
- SMPS transformers
- current transformers
- control transformers
- current compensated chokes
- chokes operating in saturation (thyristor and triac systems)

ORDERING CODE:

DTSN - 33 / 150 / 2 - V

mounting: V - vertical, H - horizontal, BV - base vertical,
 CH - case horizontal, CV - case vertical
 rated current in Amps
 inductance in mH@ $I_{DC} = 0A$
 sendust core outer diameter
 product symbol

DIMENSIONS:

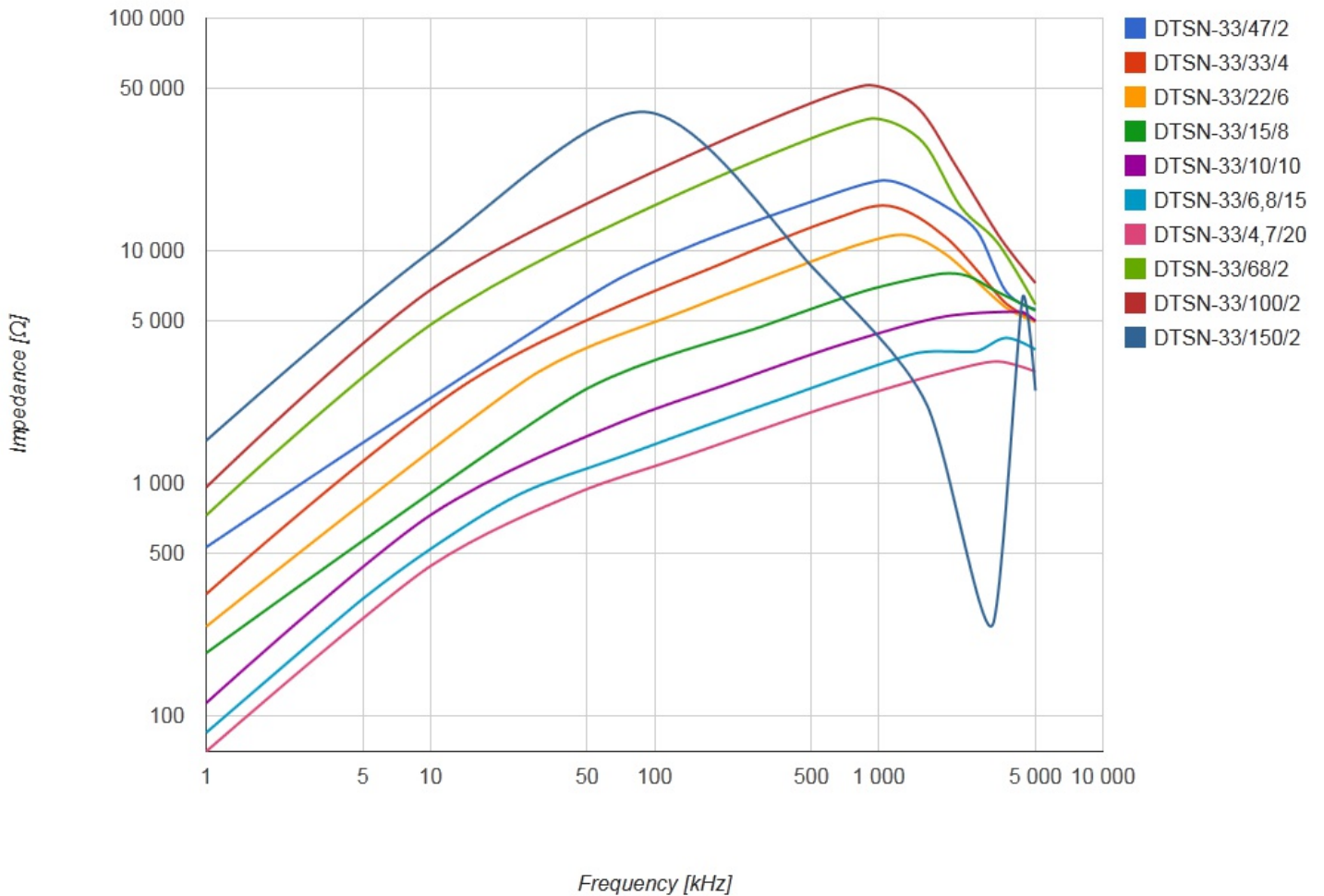


Part number	Type - core dimension ($\pm 10\%$)							Mounting version				
	A [mm]	C [mm]	D [mm]	E [mm]	e [mm]	F [mm]	f [mm]	V	H	BV	CH	CV
DTSN-33/150/2	37,0	15,5	2x0,35	18,0	7,0	40,0	7,0	✓	✓	✓	✓	✓
DTSN-33/100/2	37,0	15,5	2x0,35	18,0	7,0	40,0	7,0	✓	✓	✓	✓	✓
DTSN-33/68/2	37,0	15,5	2x0,35	18,0	7,0	40,0	7,0	✓	✓	✓	✓	✓
DTSN-33/47/2	37,0	15,5	2x0,35	18,0	7,0	40,0	7,0	✓	✓	—	✓	✓
DTSN-33/33/4	37,0	15,5	4x0,35	18,0	7,0	40,0	7,0	✓	✓	—	✓	✓
DTSN-33/22/6	37,0	15,5	6x0,35	18,0	7,0	40,0	7,0	✓	✓	—	—	—
DTSN-33/15/8	37,0	15,5	8x0,35	18,0	7,0	40,0	7,0	✓	✓	—	—	—
DTSN-33/10/10	37,0	15,5	10x0,35	18,0	7,0	40,0	7,0	✓	✓	—	—	—
DTSN-33/6,8/15	37,0	15,5	15x0,35	18,0	7,0	40,0	7,0	✓	✓	—	—	—
DTSN-33/4,7/20	37,0	15,5	20x0,35	18,0	7,0	40,0	7,0	✓	✓	—	—	—

ELECTRICAL PROPERTIES:

Part number	Lmax [mH]	I _{max} [A]	RDC [Ω]
DTSN-33/150/2	2x150	2,0	0,210
DTSN-33/100/2	2x100	2,0	0,175
DTSN-33/68/2	2x68	2,0	0,150
DTSN-33/47/2	2x47	2,0	0,076
DTSN-33/33/4	2x33	4,0	0,074
DTSN-33/22/6	2x22	6,0	0,058
DTSN-33/15/8	2x15	8,0	0,046
DTSN-33/10/10	2x10	10,0	0,042
DTSN-33/6,8/15	2x6,8	15,0	0,038
DTSN-33/4,7/20	2x4,7	20,0	0,035

CHARACTERISTICS:



X-ON Electronics

Largest Supplier of Electrical and Electronic Components

Click to view similar products for [Fixed Inductors](#) category:

Click to view products by [Feryster](#) manufacturer:

Other Similar products are found below :

[MLZ1608M6R8WTD25](#) [MLZ1608N6R8LT000](#) [MLZ1608N3R3LTD25](#) [MLZ1608N3R3LT000](#) [MLZ1608N150LT000](#)

[MLZ1608M150WTD25](#) [MLZ1608M3R3WTD25](#) [MLZ1608M3R3WT000](#) [MLZ1608M150WT000](#) [MLZ1608A1R5WT000](#)

[MLZ1608N1R5LT000](#) [B82432C1333K000](#) [PCMB053T-1R0MS](#) [PCMB053T-1R5MS](#) [PCMB104T-1R5MS](#) [CR32NP-100KC](#) [CR32NP-](#)

[151KC](#) [CR32NP-180KC](#) [CR32NP-181KC](#) [CR32NP-1R5MC](#) [CR32NP-390KC](#) [CR32NP-3R9MC](#) [CR32NP-680KC](#) [CR32NP-820KC](#)

[CR32NP-8R2MC](#) [CR43NP-390KC](#) [CR43NP-560KC](#) [CR43NP-680KC](#) [CR54NP-181KC](#) [CR54NP-470LC](#) [CR54NP-820KC](#) [CR54NP-8R5MC](#)

[MGDQ4-00004-P](#) [MGDU1-00016-P](#) [MHL1ECTTP18NJ](#) [MHL1JCTTD12NJ](#) [PE-51506NL](#) [PE-53601NL](#) [PE-53630NL](#) [PE-53824SNLT](#) [PE-](#)

[62892NL](#) [PE-92100NL](#) [PG0434.801NLT](#) [PG0936.113NLT](#) [PM06-2N7](#) [PM06-39NJ](#) [HC2LP-R47-R](#) [HC2-R47-R](#) [HC3-2R2-R](#) [HC8-1R2-R](#)