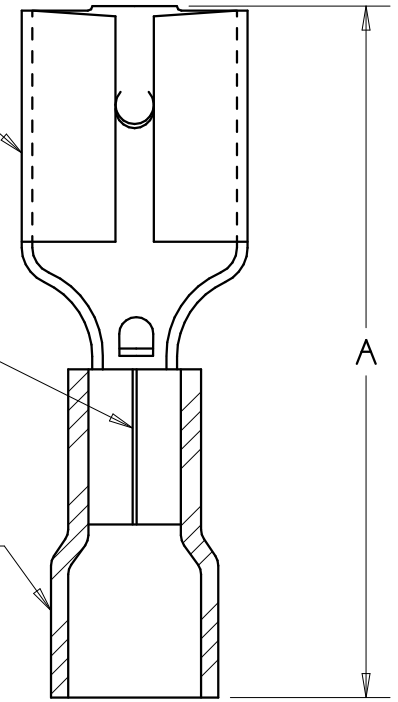
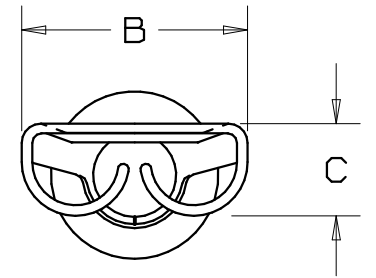


PART NUMBER		WIRE RANGE AWG	TAB SIZE	HOUSING COLOR	MAX. WIRE INSUL. DIA.	DIMENSIONS in.		
PREFIX	PK					A $\pm .03$	B $\pm .01$	C $\pm .01$
DV18-205B	-C -M -MY	22-18	OR .205 X .032 OR .187 X .032	RED	.150 (3,8)	.75 (18,9)	.25 (6,4)	.12 (3,0)
*DV14-205B	-C -M	16-14	OR .205 X .032 OR .187 X .032	BLUE	.170 (4,3)	.75 (18,9)	.25 (6,4)	.12 (3,0)
DV18-206B	-C -M -MY	22-18	OR .205 X .020 OR .187 X .020	RED	.150 (3,8)	.75 (18,9)	.25 (6,4)	.12 (3,0)
*DV14-206B	-C -M	16-14	OR .205 X .020 OR .187 X .020	BLUE	.170 (4,3)	.75 (18,9)	.25 (6,4)	.12 (3,0)



NOTES:

- USED FOR:
  - STRANDED COPPER WIRE ONLY
  - TEMPERATURE RATING OF INSULATION: 105°C (221°F)
  - 600V. MAX. VOLTAGE RATING
- PACKAGE QTY: STD. PKG. -C=100  
BULK PKG. -M=1000, -MY=1000
- MATERIAL:
  - STAMPING - .016" (0,41) THK BRASS, TIN PLATED
  - HOUSING - VINYL
- WIRE STRIP LENGTH: 1/4 <sup>+1/32</sup><sub>-0</sub> (6,3 <sup>+8</sup><sub>-0</sub>)
- INITIAL INSERTION FORCE - 12 LB. (53 N.) MAX  
INITIAL WITHDRAWAL FORCE - 12 LB. (53 N.) MAX  
6 LB. (27 N.) MIN
- INSTALLATION TOOLS: CT-520, CT-1525
  - UL LISTED AND CSA CERTIFIED
  - UL RECOGNIZED
- DIMENSIONS IN BRACKETS ARE IN MILLIMETERS

TERMINAL STAMPING

BUTTED SEAM

HOUSING



MAX. WIRE INSUL. DIA.

A41576\_05



TINLEY PARK, ILLINOIS

FEMALE DISCONNECT, VINYL INSULATED  
(.187/.205 TAB SIZE)

05	6/06	DAW	DAW	REMOVED MAX. AMPERAGE NOTE	TR00134		
04	5/05	JHNU	LCA	ADDED PACKAGING CODE "MY" TO DRAWING.	12743	TRO	LCA
03	10/03	KLFU	SKB	UPDATED DRAWING	11202	TRO	LA/ SKB
02	5/01	KMD	SKB	DIM. "B" WAS .23 (5,8)	09357	BAD	JAC
01	2/01	EJS	SKB	UPDATED NOTE 1-B, ADDED CT-1525 TO NOTE 6	09108	TRO	JAC
REV	DATE	BY	CHK	DESCRIPTION	ECN #	PM	CUST

DRAWN BY MS    CHK'D    SCALE NONE    DRAWING NO. A41576

## X-ON Electronics

Largest Supplier of Electrical and Electronic Components

*Click to view similar products for [Terminals](#) category:*

*Click to view products by [Panduit](#) manufacturer:*

Other Similar products are found below :

[HT-13-10](#) [71M-250-32-NB](#) [01-2065-1-0216](#) [00581P0075](#) [M10-10RX](#) [M10BCK](#) [60205-1](#) [604200-1](#) [60598-1-CUT-TAPE](#) [60617-1-C](#) [60873-1](#) [M14-516R/SK](#) [M14-6RSX](#) [M18-10FLX](#) [M18-8FBX](#) [M18-8R/LX](#) [M18BCK](#) [61314-6-C](#) [61-S](#) [61-SN-A](#) [62-NBM-A](#) [63-S](#) [640179-1](#) [640917-2-CUT-TAPE](#) [6501550002](#) [66107-2-C](#) [66107-4-C](#) [696683-1](#) [696834-1](#) [696861-1](#) [696931-1](#) [696999-1](#) [M8-516RK](#) [M86700006](#) [MA250DMFMX-A](#) [701-2007](#) [701-2307](#) [701-7761-03](#) [70F-110-32-PB](#) [718-N-A](#) [71M-187-20-NBL](#) [71M-250-32-NBL](#) [72F-187-20-NBL](#) [72M-250-32-NBL](#) [7310](#) [73F-250-32](#) [73F-250-32-NBL](#) [73F-250-32-NL](#) [F14-10C](#) [F-1M](#)