

# DVA

Vibration-damping elements



INOX  
Stainless Steel



## technical informations

### Base

- DVA: glossy zinc-plated steel.
- DVA-SST: AISI 304 stainless steel.

### Vibration-damping body

Natural rubber NR, hardness  $55 \pm 5$  Shore A, black colour.

### Standard executions

- DVA.1: glossy zinc-plated steel threaded studs.
- DVA.1-SST: AISI 304 stainless steel threaded studs.
- DVA.2: threaded stud and boss in glossy zinc-plated steel, threaded blind hole.
- DVA.2-SST: threaded stud and boss in AISI 304 stainless steel, threaded blind hole.
- DVA.3: glossy zinc-plated steel bosses, threaded blind hole.
- DVA.3-SST: AISI 304 stainless steel bosses, threaded blind hole.
- DVA.4: glossy zinc-plated steel threaded stud.
- DVA.4-SST: AISI 304 stainless steel threaded stud.
- DVA.5: glossy zinc-plated steel boss, threaded blind hole.
- DVA.5-SST: AISI 304 stainless steel boss, threaded blind hole.
- DVA.6: glossy zinc-plated steel threaded stud.
- DVA.6-SST: AISI 304 stainless steel threaded stud.
- DVA.7: glossy zinc-plated steel boss, threaded blind hole.
- DVA.7-SST: AISI 304 stainless steel boss, threaded blind hole.

### Special executions on request

- Natural rubber NR, hardness  $40 \pm 5$  Shore A.
- Natural rubber NR, hardness  $70 \pm 5$  Shore A.

### Features and applications

Elesa+Ganter vibration-damping elements have been designed to damp vibrations, shocks and noises produced by moving bodies or vibrating masses which can cause:

- malfunctioning and reduction of the machine lifespan and/or of the adjacent ones
- noise
- damage to men's health.

*Technical data and guidelines for the choice*

1) Basic data required:

- disturbing frequency: the frequency of the disturbing vibration produced by a on-duty machine. In general, it is obtained by the number of rotations of the engine [ $\text{Hz}=\text{r.p.m.}/60$ ];
- the load applied to every single vibration-damping element [N];
- the isolation degree required [%];
- the deflection value of the vibration-damping element under a given load [mm];
- the rigidity [N/mm], that is to say the load that applied to the vibration-damping element produces a deflection of 1.0 mm. For DVA.6 and DVA.7 the non-linear progress of the rigidity as reported in the graphs.

2) How to choose the vibration-damping element:

- with reference to the diagram for checking the isolation degree, intersect the disturbing frequency value with the isolation degree required (each isolation degree corresponds to a line in the diagram) and define the deflection [in mm];
- divide the load applied onto the vibration-damping element by the deflection value to obtain the required rigidity of the vibration-damping element;
- compare the rigidity obtained with the rigidity shown in the table and choose the vibration-damping element which presents the nearest value (lower) to the calculated one.

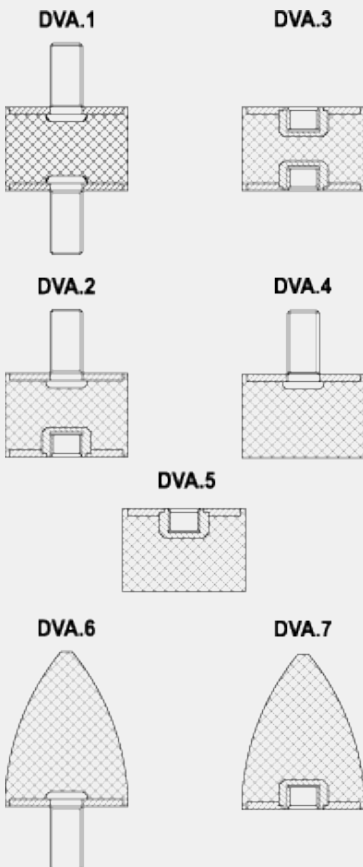
3) Check:

- the deflection of the vibration-damping element chosen can be obtained in the graphs (DVA.6-DVA.7) on the basis of the load;
- intersect the disturbing frequency value with the vibration-damping element deflection value in the diagram to obtain the isolation degree offered by the vibration-damping element chosen;
- compare the obtained value with the isolation degree required.

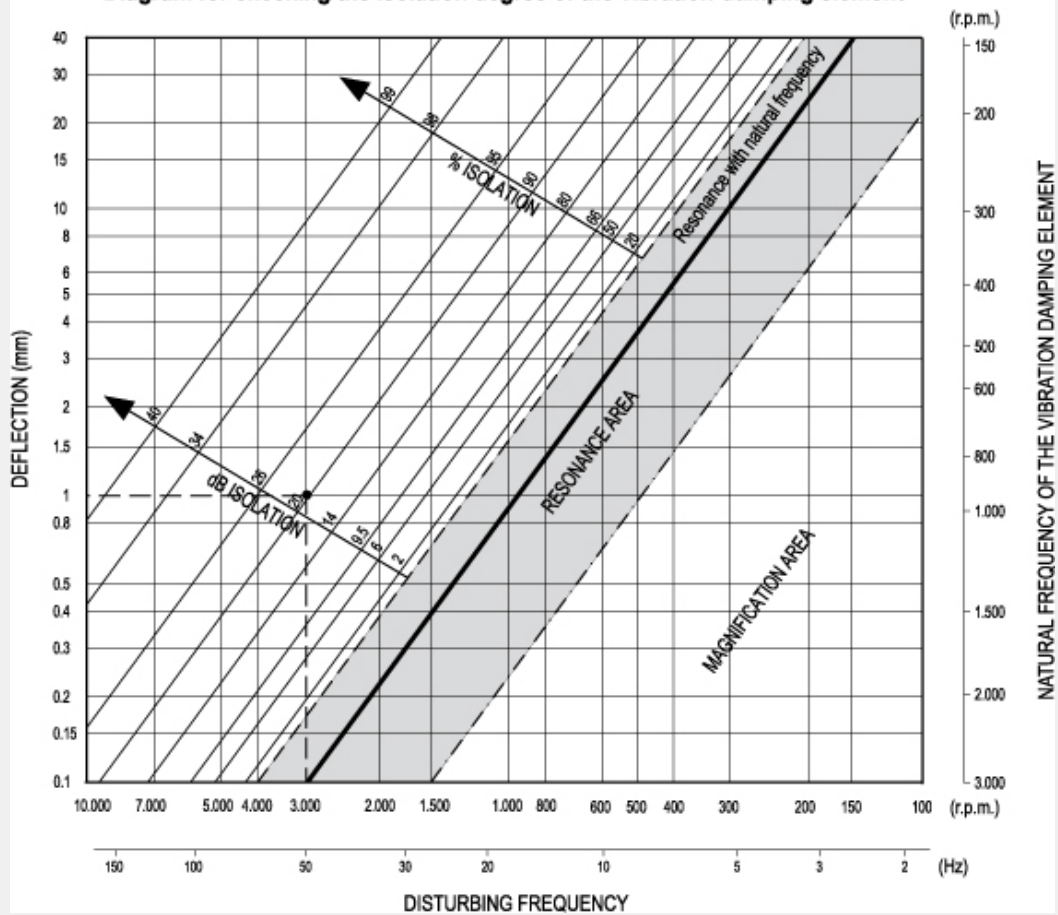
4) Example:

Conditions of use:

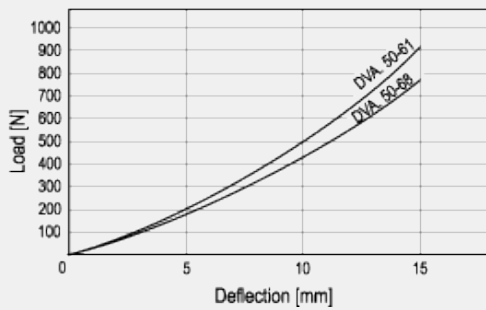
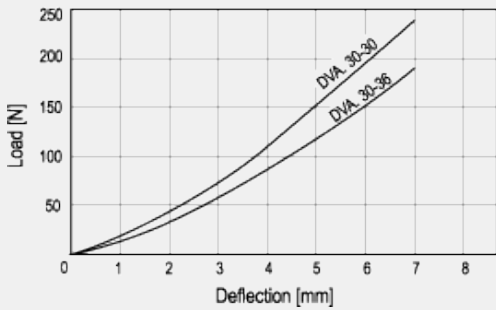
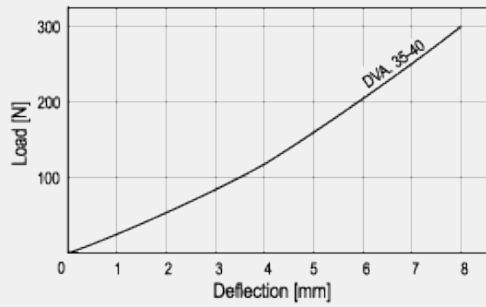
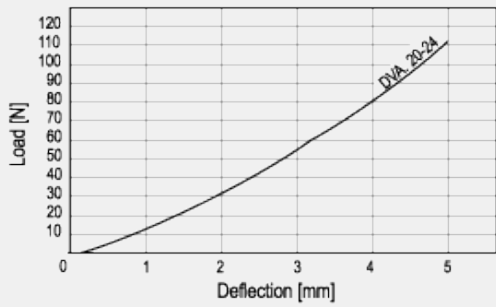
- disturbing frequency= 50 Hz (3,000 r.p.m.);
- load applied on each vibration-damping element 120 N;
- 90% isolation required;
- diagram shows that with a 50 Hz disturbing frequency and an isolation degree of 90%, the deflection obtained is 1.0 mm;
- divide the load applied by the deflection obtained to define the rigidity required, which is  $120/1.0 = 120 \text{ N/mm}$ ;
- compare the rigidity value obtained (120 N/mm) with the values reported in the table;
- the values reported in table, for type DVA.1, show that the vibration-damping element which should be used is DVA.1-25-20-M6-18-55.



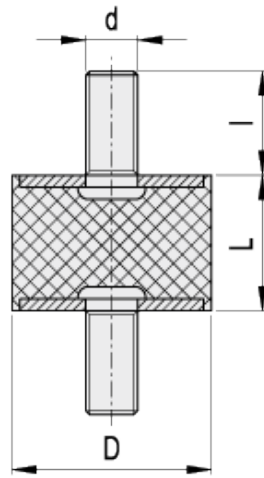
### Diagram for checking the isolation degree of the vibration-damping element



### Graphs (DVA.6 - DVA.7)



DVA.1

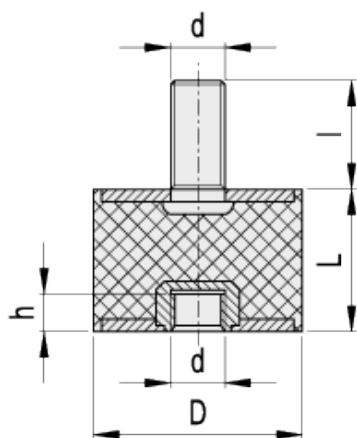


DVA.1 - 8 - 8 - M3 - 6 - 55

D L d I Shore A

Standard Elements				Main dimensions				Max load	Max deflection	Stiffness	Weight
DVA.1		DVA.1-SST									
Code	Description	Code	Description	D	L	d	l	[N]	[mm]	[N/mm]	g
411101	DVA.1-8-8-M3-6-55	410001	DVA.1-8-8-SST-M3-6-55	8	8	M3	6	70	2	35	1
411121	DVA.1-10-10-M4-10-55	410005	DVA.1-10-10-SST-M4-10-55	10	10	M4	10	89	2.5	36	2
411131	DVA.1-10-15-M4-10-55	410007	DVA.1-10-15-SST-M4-10-55	10	15	M4	10	60	3.75	16	3
411141	DVA.1-15-8-M4-10-55	410011	DVA.1-15-8-SST-M4-10-55	15	8	M4	10	230	1	230	5
411151	DVA.1-15-10-M4-10-55	410013	DVA.1-15-10-SST-M4-10-55	15	10	M4	10	198	2.5	79	6
411161	DVA.1-15-15-M4-10-55	410015	DVA.1-15-15-SST-M4-10-55	15	15	M4	10	125	3.75	33	7
411171	DVA.1-15-20-M4-10-55	410017	DVA.1-15-20-SST-M4-10-55	15	20	M4	10	145	5	29	8
411181	DVA.1-20-15-M6-18-55	410021	DVA.1-20-15-SST-M6-18-55	20	15	M6	18	352	3.75	94	18
411201	DVA.1-20-20-M6-18-55	410023	DVA.1-20-20-SST-M6-18-55	20	20	M6	18	260	5	52	25
411211	DVA.1-20-25-M6-18-55	410025	DVA.1-20-25-SST-M6-18-55	20	25	M6	18	310	6.25	50	20
411221	DVA.1-25-15-M6-18-55	410031	DVA.1-25-15-SST-M6-18-55	25	15	M6	18	687	3.75	183	28
411241	DVA.1-25-20-M6-18-55	410033	DVA.1-25-20-SST-M6-18-55	25	20	M6	18	602	5.0	120	31
411261	DVA.1-25-25-M6-18-55	410035	DVA.1-25-25-SST-M6-18-55	25	25	M6	18	675	6.25	108	35
411271	DVA.1-25-30-M6-18-55	410037	DVA.1-25-30-SST-M6-18-55	25	30	M6	18	562	7.5	75	38
411281	DVA.1-30-15-M8-20-55	410041	DVA.1-30-15-SST-M8-20-55	30	15	M8	20	534	3.75	142	45
411301	DVA.1-30-20-M8-20-55	410043	DVA.1-30-20-SST-M8-20-55	30	20	M8	20	1250	5	250	50
411321	DVA.1-30-30-M8-20-55	410045	DVA.1-30-30-SST-M8-20-55	30	30	M8	20	843	7.5	112	57
411331	DVA.1-40-20-M8-23-55	410051	DVA.1-40-20-SST-M8-23-55	40	20	M8	23	1500	5	300	80
411341	DVA.1-40-30-M8-23-55	410053	DVA.1-40-30-SST-M8-23-55	40	30	M8	23	1527	7.5	204	95
411361	DVA.1-40-40-M8-23-55	410055	DVA.1-40-40-SST-M8-23-55	40	40	M8	23	1620	10	162	100
411381	DVA.1-50-20-M10-28-55	410061	DVA.1-50-20-SST-M10-28-55	50	20	M10	28	3589	5	718	130
411401	DVA.1-50-30-M10-28-55	410063	DVA.1-50-30-SST-M10-28-55	50	30	M10	28	2570	7.5	343	184
411421	DVA.1-50-40-M10-28-55	410065	DVA.1-50-40-SST-M10-28-55	50	40	M10	28	2436	10	244	170
411441	DVA.1-50-45-M10-28-55	410067	DVA.1-50-45-SST-M10-28-55	50	45	M10	28	2265	11.25	201	180
411446	DVA.1-50-50-M10-28-55	410069	DVA.1-50-50-SST-M10-28-55	50	50	M10	28	2198	12.5	176	195
411451	DVA.1-60-30-M10-28-55	410071	DVA.1-60-30-SST-M10-28-55	60	30	M10	28	3400	7.5	453	211
411456	DVA.1-60-40-M10-28-55	410073	DVA.1-60-40-SST-M10-28-55	60	40	M10	28	3300	10	330	236
411461	DVA.1-70-45-M10-28-55	410077	DVA.1-70-45-SST-M10-28-55	70	45	M10	28	4000	11.25	356	380
411471	DVA.1-75-25-M12-37-55	410081	DVA.1-75-25-SST-M12-37-55	75	25	M12	37	11640	5	2330	345
411481	DVA.1-75-40-M12-37-55	410083	DVA.1-75-40-SST-M12-37-55	75	40	M12	37	4500	10	450	410
411501	DVA.1-75-55-M12-37-55	410085	DVA.1-75-55-SST-M12-37-55	75	55	M12	37	4400	13.75	320	515
411521	DVA.1-100-40-M16-41-55	410091	DVA.1-100-40-SST-M16-41-55	100	40	M16	41	18600	10	1860	765
411541	DVA.1-100-55-M16-41-55	410093	DVA.1-100-55-SST-M16-41-55	100	55	M16	41	16500	13.75	1200	905
411561	DVA.1-100-60-M16-41-55	410095	DVA.1-100-60-SST-M16-41-55	100	60	M16	41	12000	15	800	950
411581	DVA.1-100-75-M16-41-55	410097	DVA.1-100-75-SST-M16-41-55	100	75	M16	41	11250	18.75	600	1090

**DVA.2**

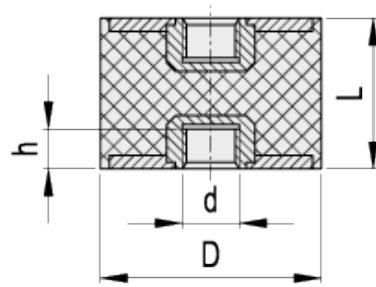


DVA.2 - 8 - 8 - M3 - 6 - 55  
 D L d l Shore A

Standard Elements				Main dimensions					Max load	Max deflection	Stiffness	Weight
DVA.2		DVA.2-SST		D	L	d	l	h	[N]	[mm]	[N/mm]	g
Code	Description	Code	Description	D	L	d	l	h	[N]	[mm]	[N/mm]	g
411701	DVA.2-8-8-M3-6-55	410101	DVA.2-8-8-SST-M3-6-55	8	8	M3	6	3	75	2	38	1
411721	DVA.2-10-10-M4-10-55	410105	DVA.2-10-10-SST-M4-10-55	10	10	M4	10	4	90	2.5	36	2
411731	DVA.2-10-15-M4-10-55	410107	DVA.2-10-15-SST-M4-10-55	10	15	M4	10	4	65	3.75	17	3
411741	DVA.2-15-10-M4-10-55	410113	DVA.2-15-10-SST-M4-10-55	15	10	M4	10	4	200	2.5	80	5
411761	DVA.2-15-15-M4-10-55	410115	DVA.2-15-15-SST-M4-10-55	15	15	M4	10	4	130	3.75	35	6
411771	DVA.2-15-20-M4-10-55	410117	DVA.2-15-20-SST-M4-10-55	15	20	M4	10	4	150	5	30	7
411781	DVA.2-20-15-M6-18-55	410121	DVA.2-20-15-SST-M6-18-55	20	15	M6	18	6	355	3.75	95	15
411801	DVA.2-20-20-M6-18-55	410123	DVA.2-20-20-SST-M6-18-55	20	20	M6	18	6	265	5	53	17
411811	DVA.2-20-25-M6-18-55	410125	DVA.2-20-25-SST-M6-18-55	20	25	M6	18	6	315	6.25	50	18
411821	DVA.2-25-15-M6-18-55	410131	DVA.2-25-15-SST-M6-18-55	25	15	M6	18	6	690	3.75	184	26
411841	DVA.2-25-20-M6-18-55	410133	DVA.2-25-20-SST-M6-18-55	25	20	M6	18	6	605	5	121	28
411851	DVA.2-25-30-M6-18-55	410137	DVA.2-25-30-SST-M6-18-55	25	30	M6	18	6	570	7.5	76	36
411861	DVA.2-30-15-M8-20-55	410141	DVA.2-30-15-SST-M8-20-55	30	15	M8	20	8	535	3.75	143	41
411881	DVA.2-30-20-M8-20-55	410143	DVA.2-30-20-SST-M8-20-55	30	20	M8	20	8	1690	4	423	43
411901	DVA.2-30-30-M8-20-55	410145	DVA.2-30-30-SST-M8-20-55	30	30	M8	20	8	850	7.5	113	50
411911	DVA.2-40-20-M8-23-55	410151	DVA.2-40-20-SST-M8-23-55	40	20	M8	23	8	1510	5	302	73
411921	DVA.2-40-30-M8-23-55	410153	DVA.2-40-30-SST-M8-23-55	40	30	M8	23	8	1530	7.5	204	85
411941	DVA.2-40-40-M8-23-55	410155	DVA.2-40-40-SST-M8-23-55	40	40	M8	23	8	1630	10	163	98
411961	DVA.2-50-20-M10-28-55	410161	DVA.2-50-20-SST-M10-28-55	50	20	M10	28	10	3600	5	720	115
411981	DVA.2-50-30-M10-28-55	410163	DVA.2-50-30-SST-M10-28-55	50	30	M10	28	10	2575	7.5	343	135
412001	DVA.2-50-40-M10-28-55	410165	DVA.2-50-40-SST-M10-28-55	50	40	M10	28	10	2440	10	244	160
412021	DVA.2-50-45-M10-28-55	410167	DVA.2-50-45-SST-M10-28-55	50	45	M10	28	10	2590	11.25	230	170
412026	DVA.2-50-50-M10-28-55	410169	DVA.2-50-50-SST-M10-28-55	50	50	M10	28	10	2200	12.5	176	185
412031	DVA.2-60-30-M10-28-55	410171	DVA.2-60-30-SST-M10-28-55	60	30	M10	28	10	3400	7.5	453	199
412036	DVA.2-60-40-M10-28-55	410173	DVA.2-60-40-SST-M10-28-55	60	40	M10	28	10	3330	10	333	220
412041	DVA.2-70-45-M10-28-55	410177	DVA.2-70-45-SST-M10-28-55	70	45	M10	28	10	4000	11.25	356	372
412051	DVA.2-75-25-M12-37-55	410181	DVA.2-75-25-SST-M12-37-55	75	25	M12	37	12	7000	3	2335	321
412061	DVA.2-75-40-M12-37-55	410183	DVA.2-75-40-SST-M12-37-55	75	40	M12	37	12	4600	10	460	385
412081	DVA.2-75-55-M12-37-55	410185	DVA.2-75-55-SST-M12-37-55	75	55	M12	37	12	4510	13.75	328	450
412101	DVA.2-100-40-M16-41-55	410191	DVA.2-100-40-SST-M16-41-55	100	40	M16	41	16	22500	10	2250	740

412121	DVA.2-100-55-M16-41-55	410193	DVA.2-100-55-SST-M16-41-55	100	55	M16	41	16	24060	13.75	1750	850
412141	DVA.2-100-60-M16-41-55	410195	DVA.2-100-60-SST-M16-41-55	100	60	M16	41	16	18000	15	1200	865
412161	DVA.2-100-75-M16-41-55	410197	DVA.2-100-75-SST-M16-41-55	100	75	M16	41	16	15940	18.75	850	980

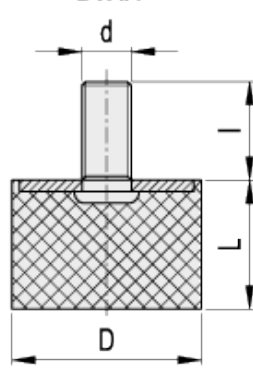
### DVA.3



DVA.3 - 8 - 8 - M3 - 55  
 D L d Shore A

Standard Elements				Main dimensions				Max load	Max deflection	Stiffness	Weight
DVA.3		DVA.3-SST		D	L	d	h	[N]	[mm]	[N/mm]	g
Code	Description	Code	Description	D	L	d	h	[N]	[mm]	[N/mm]	g
412301	DVA.3-8-8-M3-55	410201	DVA.3-8-8-SST-M3-55	8	8	M3	3	75	2	38	1
412321	DVA.3-10-10-M4-55	410205	DVA.3-10-10-SST-M4-55	10	10	M4	4	90	2.5	36	2
412326	DVA.3-10-15-M4-55	410207	DVA.3-10-15-SST-M4-55	10	15	M4	4	65	3.75	17	3
412331	DVA.3-15-10-M4-55	410213	DVA.3-15-10-SST-M4-55	15	10	M4	4	200	2.5	80	4
412341	DVA.3-15-15-M4-55	410215	DVA.3-15-15-SST-M4-55	15	15	M4	4	135	3.75	36	6
412346	DVA.3-15-20-M4-55	410217	DVA.3-15-20-SST-M4-55	15	20	M4	4	152	5	30	8
412351	DVA.3-20-15-M6-55	410221	DVA.3-20-15-SST-M6-55	20	15	M6	6	355	3.75	95	13
412361	DVA.3-20-20-M6-55	410223	DVA.3-20-20-SST-M6-55	20	20	M6	6	267	5	53	16
412371	DVA.3-20-25-M6-55	410225	DVA.3-20-25-SST-M6-55	20	25	M6	6	315	6.25	50	19
412381	DVA.3-25-20-M6-55	410231	DVA.3-25-20-SST-M6-55	25	20	M6	6	605	5	121	26
412386	DVA.3-25-25-M6-55	410233	DVA.3-25-25-SST-M6-55	25	25	M6	6	530	6.25	85	29
412391	DVA.3-25-30-M6-55	410237	DVA.3-25-30-SST-M6-55	25	30	M6	6	575	7.5	77	25
412401	DVA.3-30-20-M8-55	410241	DVA.3-30-20-SST-M8-55	30	20	M8	8	2050	5	410	39
412421	DVA.3-30-30-M8-55	410243	DVA.3-30-30-SST-M8-55	30	30	M8	8	855	7.5	114	45
412431	DVA.3-30-40-M8-55	410245	DVA.3-30-40-SST-M8-55	30	40	M8	8	757	10	76	53
412441	DVA.3-40-30-M8-55	410253	DVA.3-40-30-SST-M8-55	40	30	M8	8	1535	7.5	205	80
412461	DVA.3-40-40-M8-55	410255	DVA.3-40-40-SST-M8-55	40	40	M8	8	1635	10	164	98
412463	DVA.3-50-30-M10-55	410263	DVA.3-50-30-SST-M10-55	50	30	M10	10	2570	7.5	343	125
412466	DVA.3-50-40-M10-55	410265	DVA.3-50-40-SST-M10-55	50	40	M10	10	2445	10	245	150
412469	DVA.3-50-50-M10-55	410269	DVA.3-50-50-SST-M10-55	50	50	M10	10	2225	12.5	178	125
412471	DVA.3-60-30-M10-55	410271	DVA.3-60-30-SST-M10-55	60	30	M10	10	3400	7.5	453	189
412476	DVA.3-60-40-M10-55	410273	DVA.3-60-40-SST-M10-55	60	40	M10	10	3300	10	330	220
412481	DVA.3-70-45-M10-55	410277	DVA.3-70-45-SST-M10-55	70	45	M10	10	4000	11.25	356	335
412501	DVA.3-75-40-M12-55	410283	DVA.3-75-40-SST-M12-55	75	40	M12	12	4650	10	465	360
412521	DVA.3-75-55-M12-55	410285	DVA.3-75-55-SST-M12-55	75	55	M12	12	4500	13.75	327	445
412541	DVA.3-100-40-M16-55	410291	DVA.3-100-40-SST-M16-55	100	40	M16	16	22500	10	2250	690
412551	DVA.3-100-55-M16-55	410293	DVA.3-100-55-SST-M16-55	100	55	M16	16	24060	13.75	1750	765
412561	DVA.3-100-60-M16-55	410295	DVA.3-100-60-SST-M16-55	100	60	M16	16	18000	15	1200	885
412581	DVA.3-100-75-M16-55	410297	DVA.3-100-75-SST-M16-55	100	75	M16	16	15940	18.75	850	965

**DVA.4**



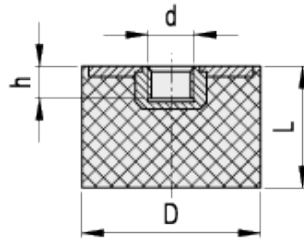
DVA.4 - 8 - 8 - M3 - 6 - 55  
 D L d l Shore A

Standard Elements				Main dimensions				Max load	Max deflection	Stiffness	Weight
DVA.4		DVA.4-SST		D	L	d	l	[N]	[mm]	[N/mm]	g
Code	Description	Code	Description								
412700	DVA.4-8-8-M3-6-55	410301	DVA.4-8-8-SST-M3-6-55	8	8	M3	6	40	2	20	3
412701	DVA.4-10-10-M4-10-55	410305	DVA.4-10-10-SST-M4-10-55	10	10	M4	10	59	2.5	24	2
412703	DVA.4-10-15-M4-10-55	410307	DVA.4-10-15-SST-M4-10-55	10	15	M4	10	78	3.75	21	3
412706	DVA.4-15-10-M4-10-55	410311	DVA.4-15-10-SST-M4-10-55	15	10	M4	10	154	2	77	4
412709	DVA.4-15-15-M4-10-55	410313	DVA.4-15-15-SST-M4-10-55	15	15	M4	10	241	3.75	64	5
412711	DVA.4-15-20-M4-10-55	410315	DVA.4-15-20-SST-M4-10-55	15	20	M4	10	287	5	57	7
412716	DVA.4-15-30-M4-10-55	410317	DVA.4-15-30-SST-M4-10-55	15	30	M4	10	210	7.5	28	9
412721	DVA.4-20-10-M6-18-55	410321	DVA.4-20-10-SST-M6-18-55	20	10	M6	18	315	2.5	126	15
412741	DVA.4-20-15-M6-18-55	410323	DVA.4-20-15-SST-M6-18-55	20	15	M6	18	289	3.75	77	10
412746	DVA.4-20-20-M6-18-55	410325	DVA.4-20-20-SST-M6-18-55	20	20	M6	18	302	5	60	13
412751	DVA.4-20-30-M6-18-55	410327	DVA.4-20-30-SST-M6-18-55	20	30	M6	18	285	7	38	23
412756	DVA.4-25-15-M6-18-55	410331	DVA.4-25-15-SST-M6-18-55	25	15	M6	18	612	3.75	163	18
412761	DVA.4-25-17-M6-18-55	410333	DVA.4-25-17-SST-M6-18-55	25	17	M6	18	770	4.25	181	20
412766	DVA.4-25-20-M6-18-55	410335	DVA.4-25-20-SST-M6-18-55	25	20	M6	18	560	5	112	20
412771	DVA.4-25-30-M6-18-55	410337	DVA.4-25-30-SST-M6-18-55	25	30	M6	18	509	7.5	68	25
412776	DVA.4-30-15-M8-20-55	410341	DVA.4-30-15-SST-M8-20-55	30	15	M8	20	934	3.75	249	30
412781	DVA.4-30-17-M8-20-55	410343	DVA.4-30-17-SST-M8-20-55	30	17	M8	20	1960	4.25	460	31
412801	DVA.4-30-20-M8-20-55	410345	DVA.4-30-20-SST-M8-20-55	30	20	M8	20	924	5	185	35
412811	DVA.4-30-25-M8-20-55	410347	DVA.4-30-25-SST-M8-20-55	30	25	M8	20	815	6.25	130	38
412821	DVA.4-30-30-M8-20-55	410349	DVA.4-30-30-SST-M8-20-55	30	30	M8	20	876	7.5	117	43
412831	DVA.4-40-20-M8-23-55	410351	DVA.4-40-20-SST-M8-23-55	40	20	M8	23	1235	5	247	55
412836	DVA.4-40-25-M8-23-55	410353	DVA.4-40-25-SST-M8-23-55	40	25	M8	23	1546	6.25	247	60
412841	DVA.4-40-30-M8-23-55	410355	DVA.4-40-30-SST-M8-23-55	40	30	M8	23	1600	7.5	213	73
412861	DVA.4-40-40-M8-23-55	410357	DVA.4-40-40-SST-M8-23-55	40	40	M8	23	1820	10	182	83
412881	DVA.4-50-20-M10-28-55	410361	DVA.4-50-20-SST-M10-28-55	50	20	M10	28	2587	5	517	90
412901	DVA.4-50-30-M10-28-55	410363	DVA.4-50-30-SST-M10-28-55	50	30	M10	28	2453	7.5	327	118
412921	DVA.4-50-40-M10-28-55	410365	DVA.4-50-40-SST-M10-28-55	50	40	M10	28	2468	10	247	140
412931	DVA.4-60-20-M10-28-55	410371	DVA.4-60-20-SST-M10-28-55	60	20	M10	28	3630	5	726	219
412936	DVA.4-60-40-M10-28-55	410373	DVA.4-60-40-SST-M10-28-55	60	40	M10	28	3400	10	340	195
412941	DVA.4-70-40-M10-28-55	410377	DVA.4-70-40-SST-M10-28-55	70	40	M10	28	4100	10	410	265
412951	DVA.4-70-55-M10-28-55	410379	DVA.4-70-55-SST-M10-28-55	70	55	M10	28	4500	13.75	327	357
412961	DVA.4-75-25-M12-37-55	410381	DVA.4-75-25-SST-M12-37-55	75	25	M12	37	4700	6.25	752	223
412971	DVA.4-75-40-M12-37-55	410383	DVA.4-75-40-SST-M12-37-55	75	40	M12	37	4500	10	450	310



412981	DVA. 4-75-50-M12-37-55	410385	DVA. 4-75-50-SST-M12-37-55	75	50	M12	37	4400	12.5	352	340
413001	DVA. 4-100-40-M16-41-55	410391	DVA. 4-100-40-SST-M16-41-55	100	40	M16	41	14000	10	1400	570
413011	DVA. 4-100-50-M16-41-55	410393	DVA. 4-100-50-SST-M16-41-55	100	50	M16	41	16250	12.5	1300	655
413021	DVA. 4-100-60-M16-41-55	410395	DVA. 4-100-60-SST-M16-41-55	100	60	M16	41	16500	15	1100	830

**DVA.5**

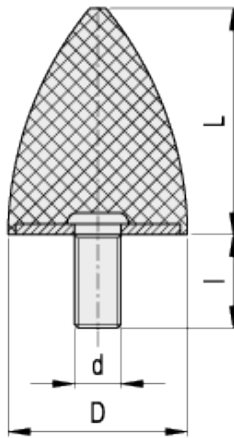


DVA.5 - 10 - 10 - M4 - 55

$D$   $L$   $d$  Shore A

Standard Elements				Main dimensions				Max load	Max deflection	Stiffness	Weight
DVA.5		DVA.5-SST									
Code	Description	Code	Description	D	L	d	h	[N]	[mm]	[N/mm]	g
413031	DVA.5-10-10-M4-55	410401	DVA.5-10-10-SST-M4-55	10	10	M4	4	59	2.5	24	2
413041	DVA.5-15-15-M4-55	410405	DVA.5-15-15-SST-M4-55	15	15	M4	4	241	3.75	64	5
413051	DVA.5-15-20-M4-55	410407	DVA.5-15-20-SST-M4-55	15	20	M4	4	287	5	57	6
413061	DVA.5-20-15-M6-55	410413	DVA.5-20-15-SST-M6-55	20	15	M6	6	289	3.75	77	10
413071	DVA.5-20-20-M6-55	410415	DVA.5-20-20-SST-M6-55	20	20	M6	6	302	5	60	11
413081	DVA.5-20-25-M6-55	410417	DVA.5-20-25-SST-M6-55	20	25	M6	6	297	6.25	48	13
413091	DVA.5-25-15-M6-55	410421	DVA.5-25-15-SST-M6-55	25	15	M6	6	612	3.75	163	16
413101	DVA.5-25-20-M6-55	410425	DVA.5-25-20-SST-M6-55	25	20	M6	6	560	5	112	20
413106	DVA.5-25-30-M6-55	410427	DVA.5-25-30-SST-M6-55	25	30	M6	6	509	7.5	68	21
413111	DVA.5-30-15-M8-55	410431	DVA.5-30-15-SST-M8-55	30	15	M8	8	934	3.75	249	23
413121	DVA.5-30-17-M8-55	410433	DVA.5-30-17-SST-M8-55	30	17	M8	8	1660	4.25	390	25
413141	DVA.5-30-20-M8-55	410435	DVA.5-30-20-SST-M8-55	30	20	M8	8	924	5	185	27
413146	DVA.5-30-30-M8-55	410437	DVA.5-30-30-SST-M8-55	30	30	M8	8	1000	7.5	133	34
413151	DVA.5-40-20-M8-55	410441	DVA.5-40-20-SST-M8-55	40	20	M8	8	1235	5	247	45
413161	DVA.5-40-30-M8-55	410443	DVA.5-40-30-SST-M8-55	40	30	M8	8	1600	7.5	213	65
413171	DVA.5-40-40-M8-55	410445	DVA.5-40-40-SST-M8-55	40	40	M8	8	1820	10	182	75
413181	DVA.5-50-20-M10-55	410451	DVA.5-50-20-SST-M10-55	50	20	M10	10	2587	5	517	77
413183	DVA.5-50-30-M10-55	410453	DVA.5-50-30-SST-M10-55	50	30	M10	10	2453	7.5	327	100
413186	DVA.5-50-40-M10-55	410455	DVA.5-50-40-SST-M10-55	50	40	M10	10	2468	10	247	115
413191	DVA.5-60-30-M10-55	410461	DVA.5-60-30-SST-M10-55	60	30	M10	10	3500	7.5	467	141
413193	DVA.5-60-50-M10-55	410463	DVA.5-60-50-SST-M10-55	60	50	M10	10	3367	12.5	269	205
413196	DVA.5-70-40-M10-55	410471	DVA.5-70-40-SST-M10-55	70	40	M10	10	4100	10	410	255
413201	DVA.5-70-45-M10-55	410473	DVA.5-70-45-SST-M10-55	70	45	M10	10	5110	11.25	454	275
413211	DVA.5-70-55-M10-55	410475	DVA.5-70-55-SST-M10-55	70	55	M10	10	4500	13.75	327	341
413221	DVA.5-75-25-M12-55	410481	DVA.5-75-25-SST-M12-55	75	25	M12	12	10000	5	2000	205
413226	DVA.5-75-30-M12-55	410483	DVA.5-75-30-SST-M12-55	75	30	M12	12	4500	7.5	600	210
413231	DVA.5-75-40-M12-55	410485	DVA.5-75-40-SST-M12-55	75	40	M12	12	4500	10	450	290
413241	DVA.5-75-50-M12-55	410487	DVA.5-75-50-SST-M12-55	75	50	M12	12	4400	12.5	352	345
413261	DVA.5-100-40-M16-55	410491	DVA.5-100-40-SST-M16-55	100	40	M16	16	14000	10	1400	485
413281	DVA.5-100-50-M16-55	410493	DVA.5-100-50-SST-M16-55	100	50	M16	16	16250	12.5	1300	580
413291	DVA.5-100-60-M16-55	410495	DVA.5-100-60-SST-M16-55	100	60	M16	16	16500	15	1100	720

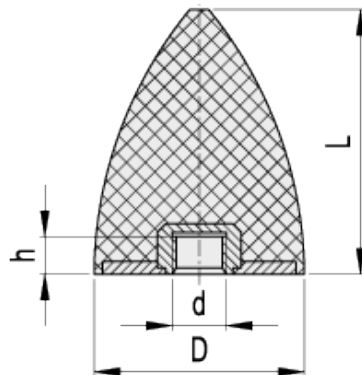
### DVA.6



DVA.6 - 20 - 24 - M6 - 18 - 55  
 D L d l Shore A

Standard Elements				Main dimensions				Max load	Max deflection	Weight
DVA.6		DVA.6-SST		D	L	d	l	[N]	[mm]	g
Code	Description	Code	Description	D	L	d	l	[N]	[mm]	g
413401	DVA.6-20-24-M6-18-55	410501	DVA.6-20-24-SST-M6-18-55	20	24	M6	18	113	5	10
413411	DVA.6-30-30-M8-18-55	410505	DVA.6-30-30-SST-M8-18-55	30	30	M8	18	247	7	24
413421	DVA.6-30-36-M8-20-55	410507	DVA.6-30-36-SST-M8-20-55	30	36	M8	20	186	7	39
413431	DVA.6-35-40-M8-23-55	410511	DVA.6-35-40-SST-M8-23-55	35	40	M8	23	305	8	45
413441	DVA.6-50-61-M8-28-55	410521	DVA.6-50-61-SST-M8-28-55	50	61	M8	28	909	15	114
413451	DVA.6-50-68-M10-28-55	410523	DVA.6-50-68-SST-M10-28-55	50	68	M10	28	794	15	131

### DVA.7



DVA.7 - 20 - 24 - M6 - 55  
 D L d Shore A

Standard Elements				Main dimensions				Max load	Max deflection	Weight
DVA.7		DVA.7-SST		D	L	d	h	[N]	[mm]	g
Code	Description	Code	Description	D	L	d	h	[N]	[mm]	g
413601	DVA.7-20-24-M6-55	410601	DVA.7-20-24-SST-M6-55	20	24	M6	6	113	5	8
413611	DVA.7-30-30-M8-55	410611	DVA.7-30-30-SST-M8-55	30	30	M8	8	247	7	28
413621	DVA.7-30-36-M8-55	410613	DVA.7-30-36-SST-M8-55	30	36	M8	8	186	7	30
413631	DVA.7-35-40-M8-55	410621	DVA.7-35-40-SST-M8-55	35	40	M8	8	305	8	43
413641	DVA.7-50-61-M8-55	410631	DVA.7-50-61-SST-M8-55	50	61	M8	8	909	15	114
413651	DVA.7-50-68-M10-55	410633	DVA.7-50-68-SST-M10-55	50	68	M10	10	794	15	120



## X-ON Electronics

Largest Supplier of Electrical and Electronic Components

*Click to view similar products for [Mounting Fixings](#) category:*

*Click to view products by [Elesa & Ganter](#) manufacturer:*

Other Similar products are found below :

[5912235-2](#) [007310](#) [007541](#) [6-141-P](#) [620HA038NF09](#) [620HA038NF11](#) [CTJ420E028-513](#) [M81714/60-12-01](#) [M81714/60-22-01](#) [L/C](#)  
[MA1EAF1200](#) [70-584649-01P](#) [71-074914-006](#) [71-215091-8S](#) [712HA170B23128-N](#) [71-344699-4S](#) [71-441549-19S](#) [71-441864-5S](#) [71-](#)  
[490451-4H](#) [EX-13-3-B-16-325PN](#) [75-69116-8S](#) [75-69211-3P](#) [75-69220-27S](#) [75-69224-5S](#) [75-69614-2S](#) [770-006A109](#) [770-006A109R](#) [770-](#)  
[006A207](#) [770-006A208W1](#) [770-006A209](#) [770-006A306](#) [770-006A703W1](#) [770-006A704](#) [770-006A704W1](#) [770-006A705](#) [770-006A706](#)  
[770-006A706W1](#) [770-006A707](#) [770-006A709](#) [770-007A203](#) [770-007A203W1](#) [770-007A204W1](#) [770-007A207W1](#) [770-007A703](#) [770-](#)  
[007A704W1](#) [770-007A706](#) [770-007A707W1](#) [770-010Y208](#) [770-010Y308](#) [770-010Y705](#) [770-010Y706](#)