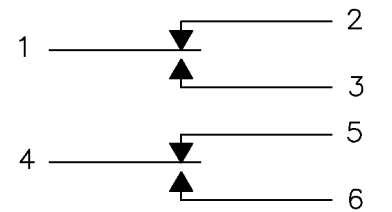


MICRO SWITCH
a Honeywell Division

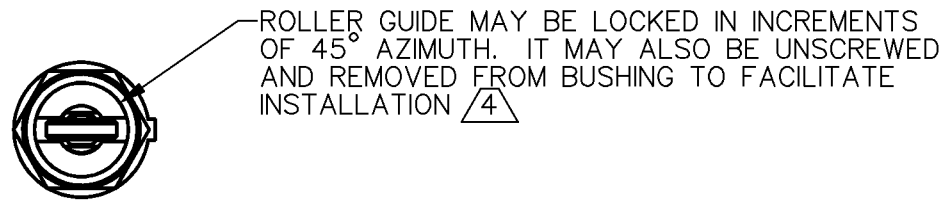
FED. MFG. CODE 91929

SWITCH-ENCLOSED

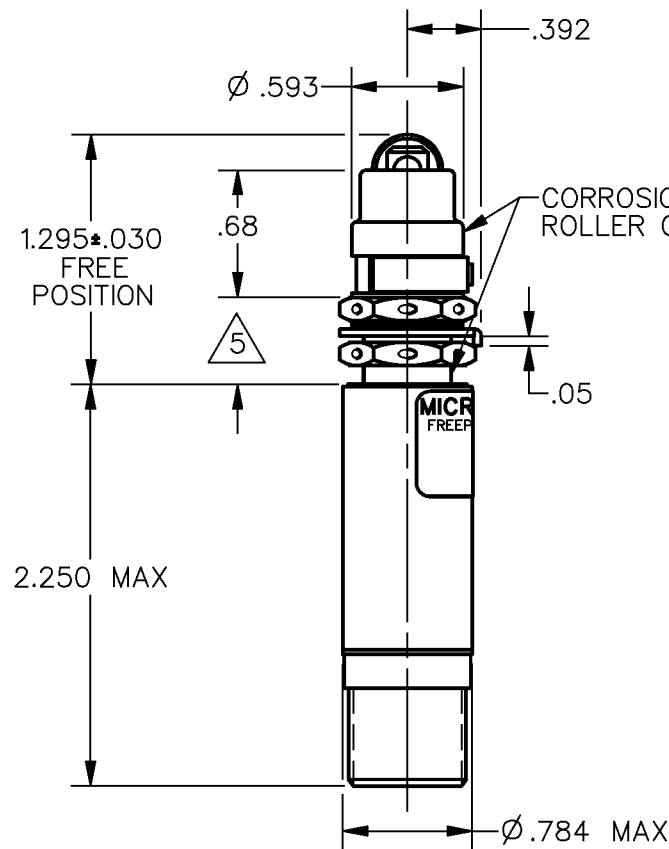
CATALOG LISTING
622EN154-RB



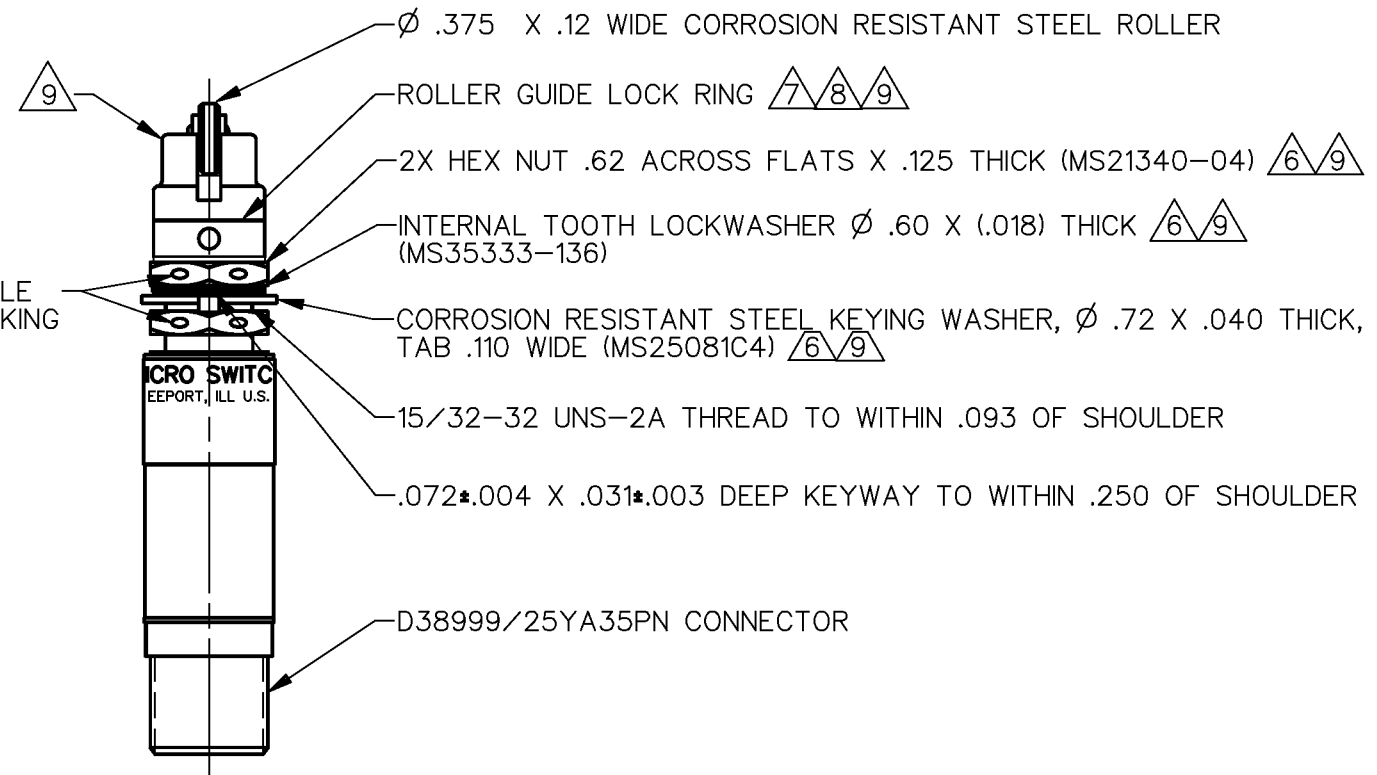
CIRCUIT DIAGRAM



ROLLER GUIDE MAY BE LOCKED IN INCREMENTS OF 45° AZIMUTH. IT MAY ALSO BE UNSCREWED AND REMOVED FROM BUSHING TO FACILITATE INSTALLATION $\triangle 4$



CORROSION RESISTANT STEEL ROLLER GUIDE AND BUSHING



Ø .375 X .12 WIDE CORROSION RESISTANT STEEL ROLLER

ROLLER GUIDE LOCK RING $\triangle 7 \triangle 8 \triangle 9$

2X HEX NUT .62 ACROSS FLATS X .125 THICK (MS21340-04) $\triangle 6 \triangle 9$

INTERNAL TOOTH LOCKWASHER Ø .60 X (.018) THICK $\triangle 6 \triangle 9$
(MS35333-136)

CORROSION RESISTANT STEEL KEYING WASHER, Ø .72 X .040 THICK, TAB .110 WIDE (MS25081C4) $\triangle 6 \triangle 9$

15/32-32 UNS-2A THREAD TO WITHIN .093 OF SHOULDER

.072 ± .004 X .031 ± .003 DEEP KEYWAY TO WITHIN .250 OF SHOULDER

D38999/25YA35PN CONNECTOR

3X Ø .047 HOLE FOR WIRE LOCKING

CATALOG LISTING
622EN154-RB
PAGE 1 OF 1
ISSUE **M**
2

RELEASE NO. PR-22675 REPLACES

REVISIONS
A PR22675
MAM
30 APR 97

CHECK

CHECK

30 APR 97

T S M

30 APR 97

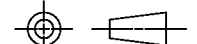
CHECK

DDM/CAD
DRAWN

M A M 30 APR 97

THIS DRAWING COVERS A PROPRIETARY ITEM AND IS THE PROPERTY OF MICRO SWITCH, A DIVISION OF HONEYWELL. THIS DRAWING IS NOT TO BE COPIED OR USED WITHOUT THE APPROVAL OF MICRO SWITCH

THIRD ANGLE PROJECTION



CHARACTERISTICS	
OPERATING FORCE	6 -12 LB
FULL OVERTRAVEL FORCE	30 LB MAX
RELEASE FORCE	4 LB MIN
PRETRAVEL	.040 MAX
DIFFERENTIAL TRAVEL	.020 MAX
OVERTRAVEL	.125 MIN

ELECTRICAL DATA		
CONTACT ARRANGEMENT 2X S P D T		
28 VDC		
LOAD	SEA LEVEL	50,000 FT.
RES	5	5
IND	4	2.5
MOTOR	4	

SCALE FULL	
DO NOT SCALE PRINT	
UNLESS OTHERWISE SPECIFIED TOLERANCES ARE	
ONE PLACE	(.0) ± .030
TWO PLACE	(.00) ± .015
THREE PLACE	(.000) ± .005
ANGLES	±
WEIGHT	.50 LB

NOTES

- 1 - CORROSION RESISTANT STEEL ENCLOSURE
- 2 - SWITCH SEALED PER MIL-S-8805 SYMBOL 4
- 3 - CIRCUIT DIAGRAM AND CATALOG LISTING ARE SHOWN ON NAMEPLATE
- $\triangle 4$ - TO ADJUST ROLLER DIRECTION REMOVE ROLLER GUIDE LOCK RING SCREW ROLLER GUIDE TO DESIRED DIRECTION, SECURE BY REPLACING ROLLER GUIDE LOCK RING
- $\triangle 5$ - ROLLER GUIDE LOCATION CAN VARY BETWEEN .292 AND .450 WHILE MAINTAINING .125 MIN OVERTRAVEL
- $\triangle 6$ - REPLACEMENT MOUNTING HARDWARE - PACKET 19PA9
- $\triangle 7$ - REPLACEMENT ROLLER GUIDE AND LOCK RING - PACKET 15PA105
- $\triangle 8$ - REPLACEMENT LOCK RING - PACKET 15PA107
- $\triangle 9$ - HARDWARE MAY BE PACKAGED UNASSEMBLED PER MIL-S-8805
- 10 - COINCIDENCE OF OPERATING AND RELEASING POINTS: .010 INCH OF PLUNGER TRAVEL

ANSI Y14.5M-1982 APPLIES

X-ON Electronics

Largest Supplier of Electrical and Electronic Components

Click to view similar products for [Limit Switches](#) category:

Click to view products by [Honeywell](#) manufacturer:

Other Similar products are found below :

[6LS2-4PG](#) [5ML1-E1](#) [5ML31](#) [LZG1](#) [LZL1-6C](#) [622EN114-R](#) [622EN18-6](#) [622EN224-6B](#) [622EN230](#) [622EN237-R](#) [622EN69-3](#) [622EN85-RB](#)
[MA-10019](#) [6PA109](#) [7LS51](#) [83547001](#) [83725002](#) [83830001](#) [83840001](#) [83840701](#) [83841001](#) [83870104](#) [83881140](#) [8AS42](#) [8LS10](#) [8LS125-](#)
[4PG](#) [8LS152-4PGN20](#) [914CE16-3A](#) [914CE3-3L1](#) [915PA10](#) [91MCE16-P2O](#) [924CE16-Y3](#) [924CE1-S6](#) [924CE1-T25A](#) [924CE1-T3](#) [924CE1-](#)
[T9A](#) [924CE2-T9](#) [924CE31-Y20-X5](#) [924CE31-Y3L1](#) [GL-10054](#) [GL-85710](#) [GL-85714](#) [GLAB26J2B](#) [GLDB03C-6](#) [GLZ324](#) [PS21R-](#)
[NT11N7-YK0](#) [D4A-1106N](#) [D4A1201N](#) [D4A-3E02N](#) [D4A-4510N](#)