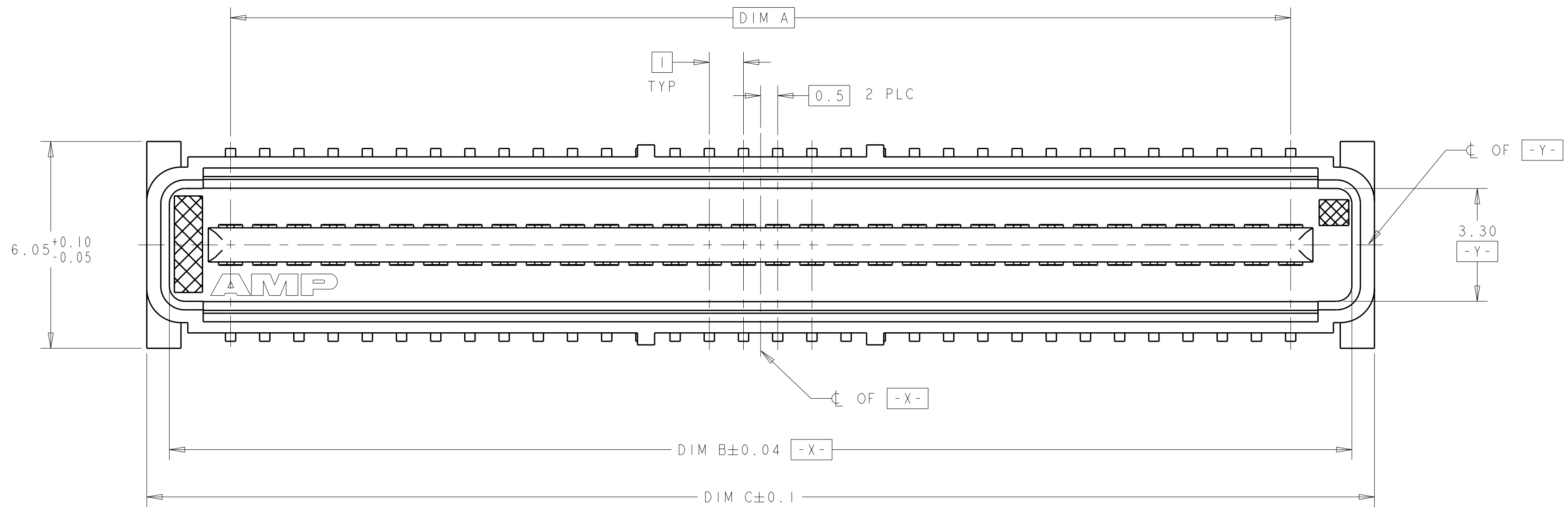
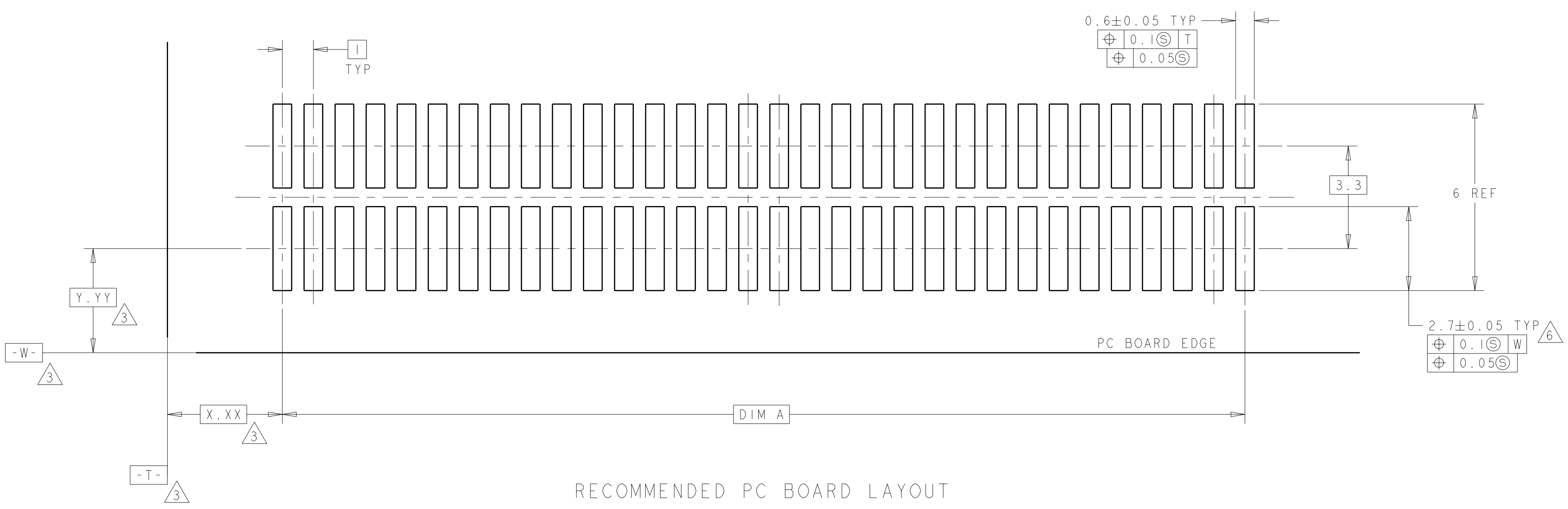
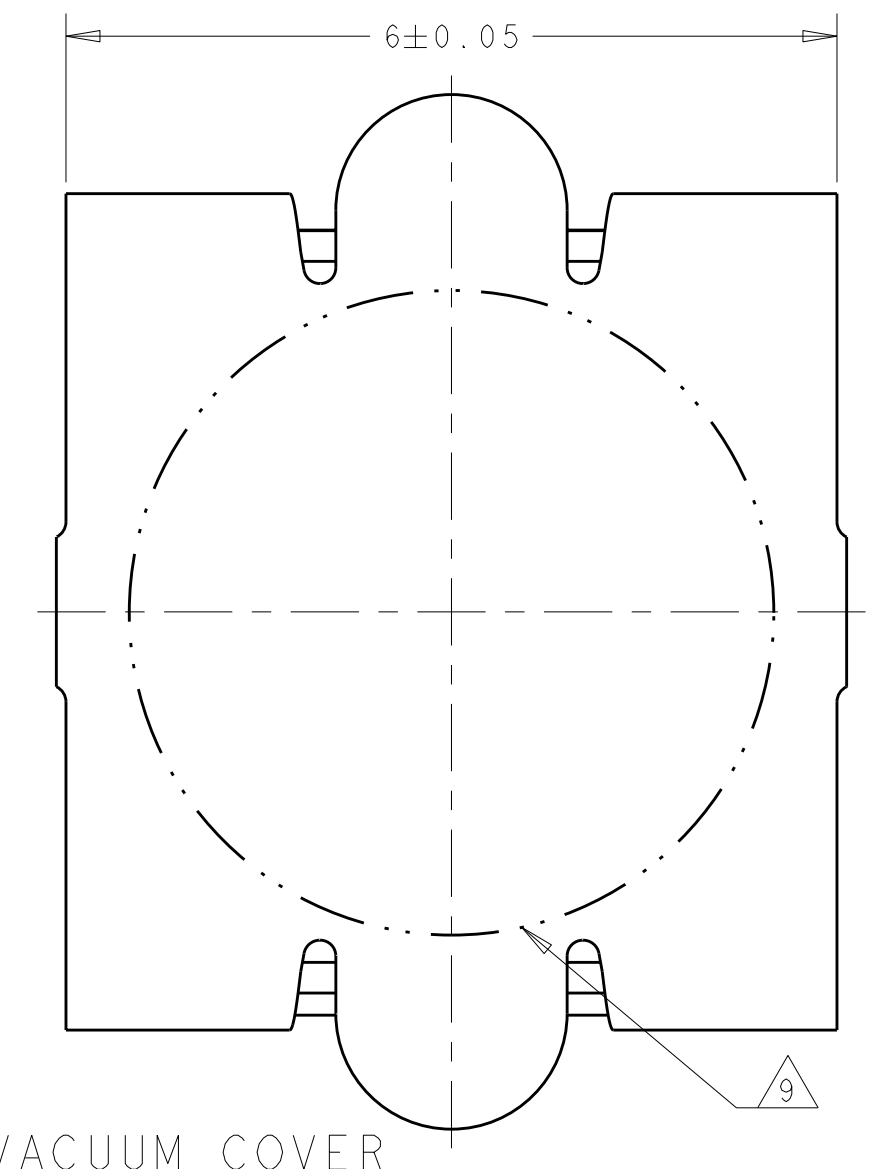
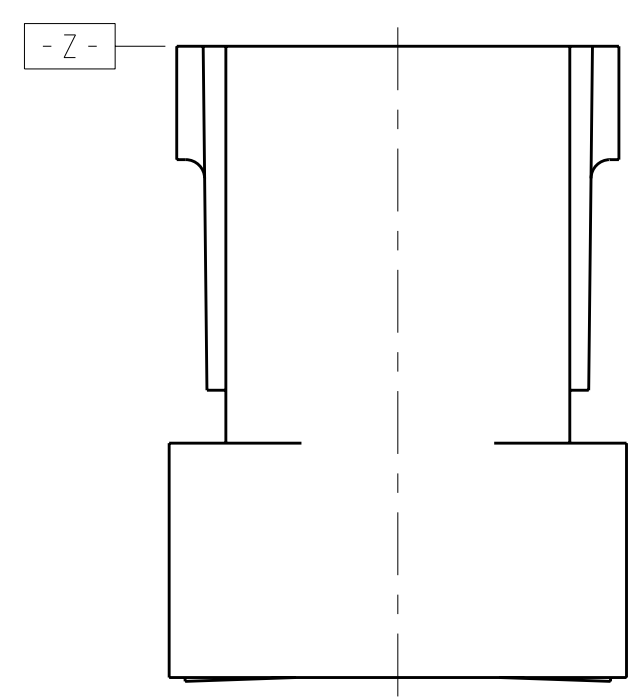
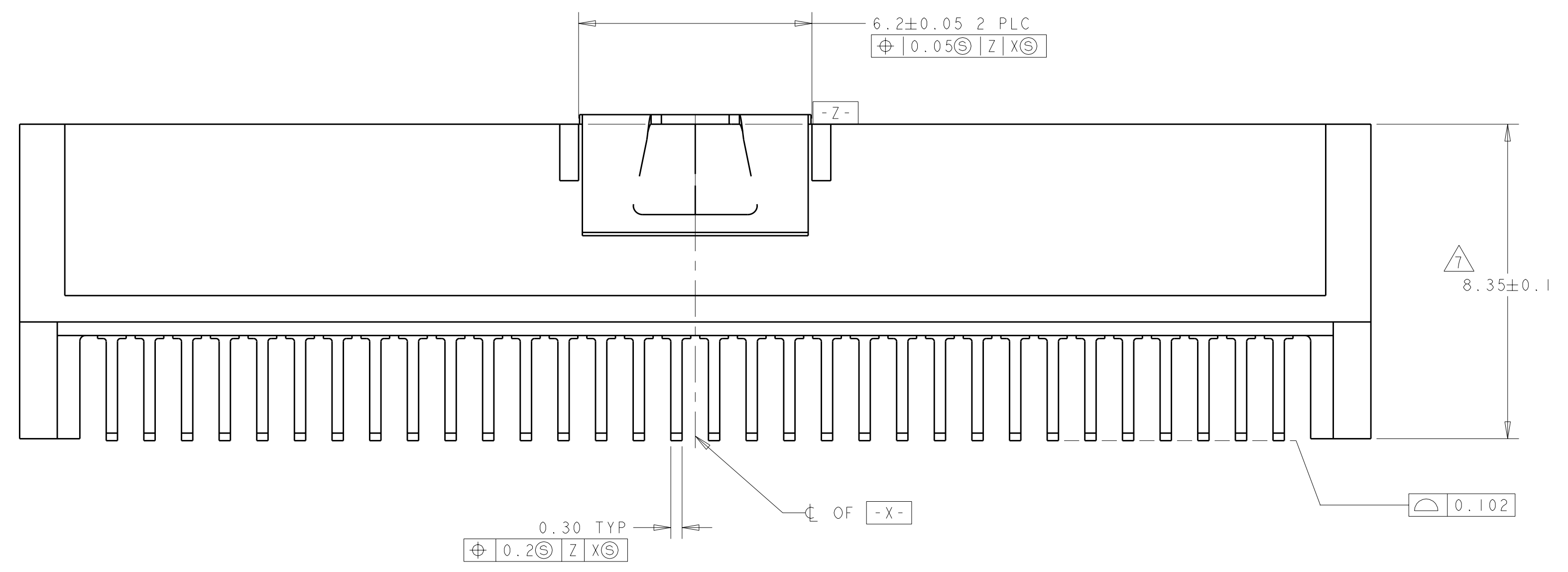


LOC	DIST	REV	DATE	DWN	APPD
AD	00	B1	18MAR2011	RK	HMR



- 1. HOUSING MATERIAL: LIQUID CRYSTAL POLYMER COLOR: BLACK. CONTACT MATERIAL: PHOSPHOR BRONZE.
- 2. CONTACT FINISH: NICKEL UNDERPLATE ALL OVER, MATING SURFACES PLATED TO MEET PLI PERFORMANCE REQUIREMENTS OF INDUSTRY SPECIFICATION EIA-700AAAB, SOLDER TAILS PLATED TIN.
- 3. DATUM LOCATIONS AND BASIC DIMENSIONS TO BE ESTABLISHED BY THE CUSTOMER. CONSULT AMP ENGINEERING WHEN PLACING MULTIPLE CONNECTORS ON A PC BOARD.
- 4. PACKAGED IN TAPE ON REEL PER EIA-481.
- 5. VACUUM COVER DESIGNED FOR 4mm DIA. NOZZLE. VACUUM COVER TO BE REMOVED AFTER SOLDERING. VACUUM COVER REMOVED FROM SOME VIEWS FOR DIMENSIONAL CLARITY.
- 6. SHORTER SOLDER LANDS MAY BE USED PER EIA 700AAAB, HOWEVER 2.7 LENGTH ASSURES OPTIMUM SOLDER FILLET REGARDLESS OF MANUFACTURER OF CONNECTOR.
- 7. REFERRED TO AS DIM N IN EIA 700AAAB SPECIFICATION.
- 8. CORRUGATED REEL, HOLDS 400 CONNECTORS PER REEL 330.2[13.00] DIA REEL; 88.9[3.50] REEL CORE. PLASTIC REEL, HOLDS 250 CONNECTORS PER REEL 330.2[13.00] DIA REEL; 177.8[7.00] REEL CORE.
- 9. 5.5 MIN DIAMETER TARGET AREA FOR VACUUM PICK-UP.
- 10. CONTACT FINISH: 0.00381 MINIMUM MATTE TIN PER ASTM B 545 ON SOLDER AREA, 0.00127 MINIMUM GOLD PER ASTM B 488 ON MATING AREA, BOTH OVER 0.00127 MINIMUM NICKEL PER SAE-AMS-QQ-N-290 ON ENTIRE CONTACT.



FINISH	REEL QTY	DIM C	DIM B	DIM A	MATING CONNECTOR	STACK HEIGHTS	POS	PART NUMBER
		45.9	44.58	41	120531-2	15	84	1-5120534-2
		45.9	44.58	41	120530-2	13	84	1-5120534-2
		45.9	44.58	41	120529-2	12	84	1-5120534-2
		45.9	44.58	41	120528-2	10	84	1-5120534-2
		35.9	34.58	31	120531-1	15	64	1-5120534-1
		35.9	34.58	31	120530-1	13	64	1-5120534-1
		35.9	34.58	31	120529-1	12	64	1-5120534-1
		35.9	34.58	31	120528-1	10	64	1-5120534-1
OBSOLETE		35.9	34.58	31	120531-1	15	64	5120534-3
OBSOLETE		35.9	34.58	31	120530-1	13	64	5120534-3
OBSOLETE		35.9	34.58	31	120529-1	12	64	5120534-3
OBSOLETE		35.9	34.58	31	120528-1	10	64	5120534-3
		45.9	44.58	41	120531-2	15	84	5120534-2
		45.9	44.58	41	120530-2	13	84	5120534-2
		45.9	44.58	41	120529-2	12	84	5120534-2
		45.9	44.58	41	120528-2	10	84	5120534-2
		35.9	34.58	31	120531-1	15	64	5120534-1
		35.9	34.58	31	120530-1	13	64	5120534-1
		35.9	34.58	31	120529-1	12	64	5120534-1
		35.9	34.58	31	120528-1	10	64	5120534-1

THIS DRAWING IS A CONTROLLED DOCUMENT. DWN: B. CARBO, 30SEP04; CHK: R. WERTZ, 30SEP04; APPD: R. WERTZ, 30SEP04.

DIMENSIONS: mm. TOLERANCES UNLESS OTHERWISE SPECIFIED: 9 PLC ±; 1 PLC ±0.03; 5 PLC ±0.003; 4 PLC ±; ANGLES ±.

MATERIAL: SEE TABLE. FINISH: #0/30.

PRODUCT SPEC: PLUG ASSY, W/COVER 1.0mm FH(IEEE1386) CONNECTOR.

APPLICATION SPEC: A100779C=5120534.

SCALE: 17:1. SHEET: 1 OF 1. REV: B1.

## X-ON Electronics

Largest Supplier of Electrical and Electronic Components

*Click to view similar products for [Board to Board & Mezzanine Connectors](#) category:*

*Click to view products by [TE Connectivity](#) manufacturer:*

Other Similar products are found below :

[10135583-642402LF](#) [89885-310LF](#) [589158040000018](#) [6-1393048-0](#) [68683-613](#) [MDF7-12DP-2.54DSA](#) [MDF7-18P-2.54DSA\(01\)](#) [MDF7-20DP-2.54DSA](#) [MDF7-26D-2.54DSA\(55\)](#) [MDF7-3P-2.54DSA\(01\)](#) [MDF7B-3P-2.54DSA\(55\)](#) [MDF7C-11P-2.54DSA\(55\)](#) [MDF7C-18P-2.54DSA\(55\)](#) [MDF7C-5P-2.54DSA\(01\)](#) [MDF7P-5P-2.54DSA\(55\)](#) [75234-0516](#) [FCN-230C068-11](#) [FCN-268F012-G/BD](#) [FCN-268F036-G/BD](#) [FCN-268M012-G/0D](#) [FCN-268M024-G/1D](#) [FCN-360C008-C](#) [FCN-360C040-C](#) [FCN-723J004/1](#) [MIS-048-01-F-D-DP-K](#) [832-10-034-10-001000](#) [93696-325LF](#) [11828-1FA](#) [AXK630345P](#) [18097-0013](#) [ICA-328STT](#) [2007042-2](#) [304400-2](#) [FCN-214Q030-G/0](#) [FCN-215Q040-G/0](#) [FCN-230C068-ESA](#) [FCN-234P048-G/0](#) [FCN-235D050-G/C](#) [FCN-360A3](#) [FCN-360C040-B](#) [210-93-314-41-105000](#) [2-22603-0](#) [379-064-521-202](#) [MDF7-12P-2.54DSA\(01\)](#) [MDF7-16P-2.54DS\(56\)](#) [MDF7-40DP-2.54DSA\(55\)](#) [MDF7-8P-2.54DSA\(55\)](#) [MDF7B-16P-2.54DSA\(55\)](#) [AXG720047](#) [5031084030](#)