



ANLY TEMPERATURE CONTROLLER

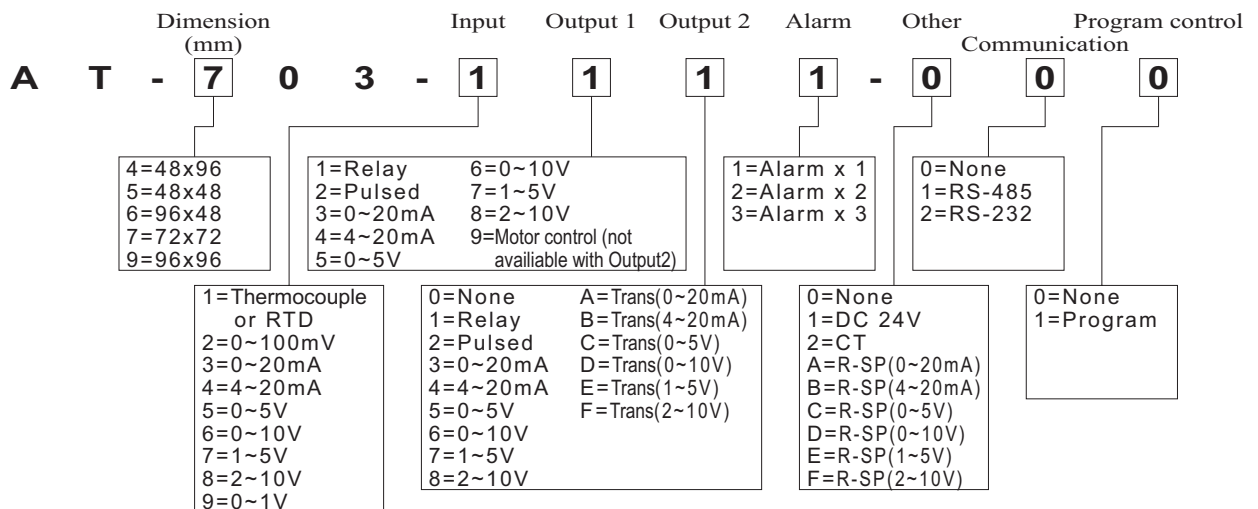
AT03 PID TEMPERATURE CONTROLLER



CHARACTERISTICS :

- Up to 2 output and 3 alarm channels
- 4 PID levels
- Thermocouple, RTD and linear inputs
- Optional RS-232 or RS-485 communication
- Available in 5 sizes : 48 x 48mm(1/16DIN), 48 x 96mm(1/16DIN), 72 x 72mm, 96 x 48mm, 96 x 96mm(1/4DIN)
- Servo motor control possible
- For heating and cooling processes
- Separate input channel for Remote Set Point

TYPE SELECTION :



Note 1. AT-503 is not available with Other and 3 alarms.

Product is subject to change without notice.

SPECIFICATIONS :

Type	AT-403 / AT-503 / AT-603 / AT-703 / AT903	
Operating voltage	AC(V) : 90 ~ 260	
Rated frequency	50 / 60 Hz	
Power consumption	Approx. 3.5VA	
Sensor input	Thermocouple	K, J, T, R, E, S, B, N
	RTD	Pt100, JPt100
	Linear	Current(4~20mA), Voltage(1~5V)
Control output	Relay	240VAC 3A
	Voltage	Voltage Pulse
	Linear	4~20mA, 1~5V
	Motor Control	Open loop motor valve
Alarm output	240VAC 3A(3 Channels Optional)	
Alarm function	See figure 1	
Control method	PID, PI, P, ON/OFF, Dead Band	
Communication	RS-232, RS-485	
Setting	Digital setting using front panel keys	
Indicator	7-segment-display and LED	
Ambient temperature	-10 ~ +50°C	
Storage temperature	-25 ~ +65°C	
Ambient humidity	35 ~ 80%RH (with no icing or condensation)	
Storage humidity	35 ~ 95%RH (with no condensation)	
Weight	AT-403 / 603 Approx. 170g , AT-503 Approx. 125g , AT-703 Approx. 200g , AT-903 Approx. 250g	

FEATURES :

Type	AT-403 / AT-503 / AT-603 / AT-703 / AT903
Measuring accuracy	Within $\pm 0.3\%$ of present value or $\pm 2^\circ\text{C}$ whichever is greater
Proportional band (P)	0.0 ~ 3000sec (0.1-second units)
Integral time (I)	0 ~ 3600sec (1-second units)
Derivative time (D)	0 ~ 900sec (1-second units)
Control period	0 ~ 150sec (1-second units)
Sampling period	300ms
Memory protection	EEPROM non-volatile memory (writing times : Approx. 100,000times)

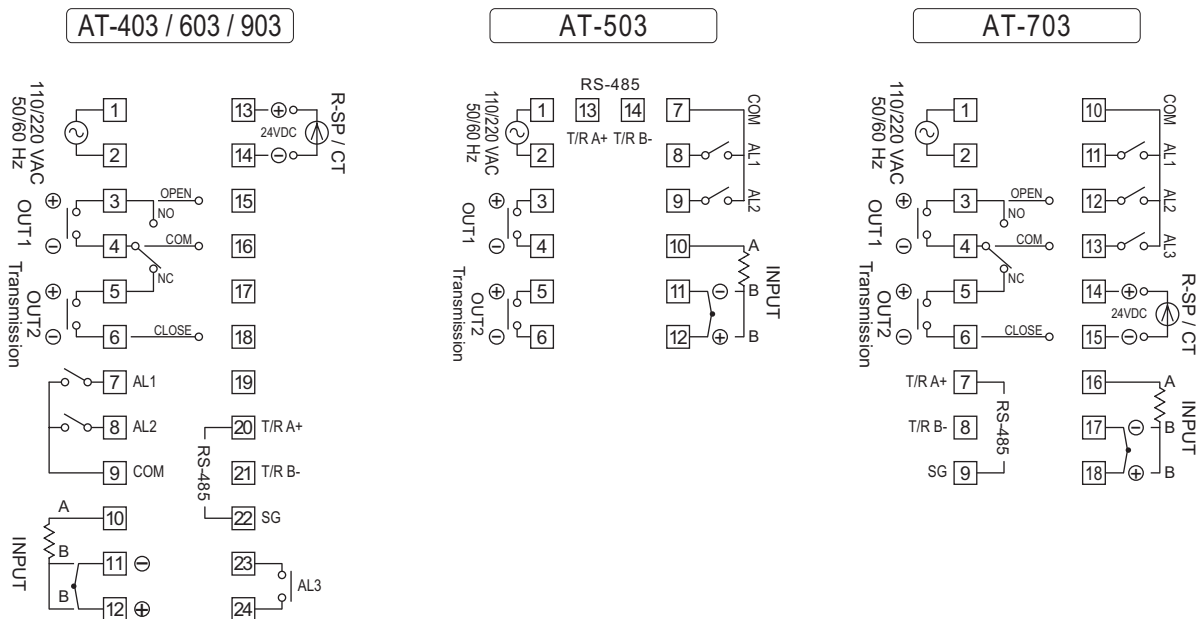
FIGURE 1 (ALARM FUNCTION) :

AL1F	AL2F	AL3F	Alarm function selection
0	0	0	No alarm
1	1	1	Deviation high alarm
2	2	2	Deviation low alarm
3	3	3	Absolute high alarm
4	4	4	Absolute low alarm
5	5	5	Deviation high/low alarm
6	6	6	Band alarm
7	7	7	System failure alarm (when error information happen)
8	8	8	Loop break alarm
9	9	9	Heater break alarm
10	10	10	Segment ending alarm in program control
11	11	11	Program ending alarm in program control
12	12	--	Time signal alarm in program control
13	13	--	Program running alarm in program control

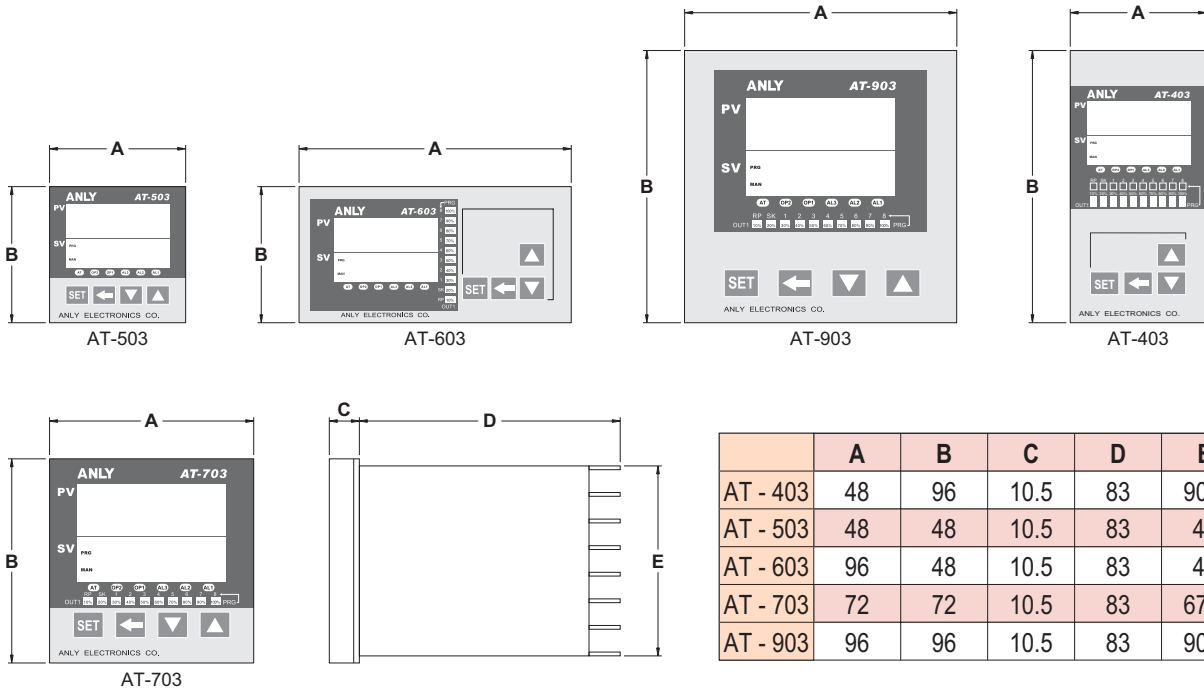
RATED SCALE :

Input type	°C	°F
K1	0~200	32~392
K2	0~400	32~752
K3	0~800	32~1472
K4	0~1000	32~1832
K5	0~1200	32~2192
j1	0~200	32~392
j2	0~400	32~752
j3	0~800	32~1472
j4	0~1000	32~1832
j5	0~1200	32~2192
t1	-50~50	-58~122
t2	-100~100	-148~212
t3	-200~400	-328~752
r	0~1700	32~3092
E	0~1000	32~1832
S	0~1700	32~3092
b	0~1800	32~3272
n	-200~1300	-328~2372
Pt1	-50~50	-58~122
Pt2	0~100	32~212
Pt3	0~200	32~392
Pt4	0~400	32~752
Pt5	-200~600	-328~1112
jPt	-200~500	-328~932
Lin	-1999~9999	

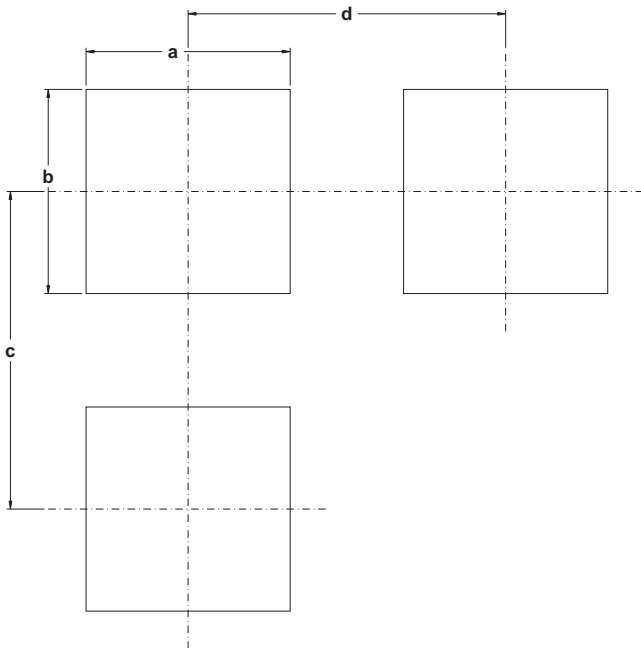
CONNECTION :



DIMENSIONS : (mm)



PANEL CUTOUT DRAWING : (mm)



	a	b	c	d
AT - 403	46 ^{+0.5} ₋₀	91 ^{+0.5} ₋₀	120	70
AT - 503	46 ^{+0.5} ₋₀	46 ^{+0.5} ₋₀	70	70
AT - 603	91 ^{+0.5} ₋₀	46 ^{+0.5} ₋₀	70	120
AT - 703	68 ^{+0.5} ₋₀	68 ^{+0.5} ₋₀	100	100
AT - 903	91 ^{+0.5} ₋₀	91 ^{+0.5} ₋₀	120	120

ANLY ELECTRONICS CO., LTD.

<http://www.anly.com.tw>

TAIWAN MAIN OFFICE : ANLY ELECTRONICS CO., LTD.

No.19, Lane 202, Fushou St., Shinjuang City, Taipei, Taiwan 242
 TEL: +886-2-2996-3202 FAX: +886-2-2996-2017

MALAYSIA BRANCH : JUSTY ELECTRONICS (M) SDN, BHD.

No.1, Jalan 6/89B, Kawasan Perindustrian Trisegei, Batu 3 1/2 Off Jalan Sungei Besi, 57100 Kuala Lumpur, Malaysia
 TEL: +60-3-7983-5758 FAX: +60-3-7981-5052

HONG KONG BRANCH : ANLY ELECTRONICS (HK) LTD.

Flat K, 13/F, Edward Mansion, 141 Prince Edward Road W., Kowloon, Hong Kong
 TEL: +852-2397-2505 FAX: +852-2397-6080

CHINA SALES OFFICE : ANLY TECHNOLOGY (WUXI) CO., LTD.

Room 3D, Zhaofeng Building, No.9, Alley 396, Changning Rd., Changning District, Shanghai, China 200042
 TEL: +86-21-6213-9371 FAX: +86-21-6212-3483

X-ON Electronics

Largest Supplier of Electrical and Electronic Components

Click to view similar products for [Temperature Sensor Modules](#) category:

Click to view products by [Anly](#) manufacturer:

Other Similar products are found below :

[HPP809A031](#) [MBT 3560-0000-0050-10-110](#) [MBT 3560-0000-0100-10-110](#) [MBT 3560-0001-0050-10-120](#) [MBT 3560-0001-0100-10-120](#)
[TCN4L-22R](#) [TX4H-14R](#) [TX4H-24R](#) [TX4H-A4R](#) [TX4H-B4R](#) [TX4L-14R](#) [TX4L-A4R](#) [TX4L-B4R](#) [TX4M-14R](#) [TX4M-24R](#) [TX4M-A4R](#)
[TX4M-B4R](#) [QP99](#) [CP-02](#) [CP82](#) [CP99](#) [R38-LAOO](#) [R38-LARR](#) [72-11304023-0150.0050](#) [72-11304027-0150.0050](#) [72-23304003-](#)
[0150.0050.GGP](#) [72-23904001-0300.0040.TM](#) [72-34904001-0300.0040.TM](#) [TEM 73 A](#) [AT403-414-1000](#) [AT403-614-1000](#) [AT-503-1141-000](#)
[AT-503-1161-000](#) [AT-503-6140-000](#) [AT-603-1141-000](#) [AT603-414-1000](#) [AT-903-1161-000](#) [ATR121-AD](#) [ATR121-B](#) [TPMC-5](#) [TPMC-8W](#)
[K39-HCRR](#) [K39T-HCRR](#) [K49-HCRR](#) [K49P-HCRR](#) [K85-HERR](#) [KR1-LCRR-D](#) [LHI874](#) [LHI944](#) [LHI968](#)