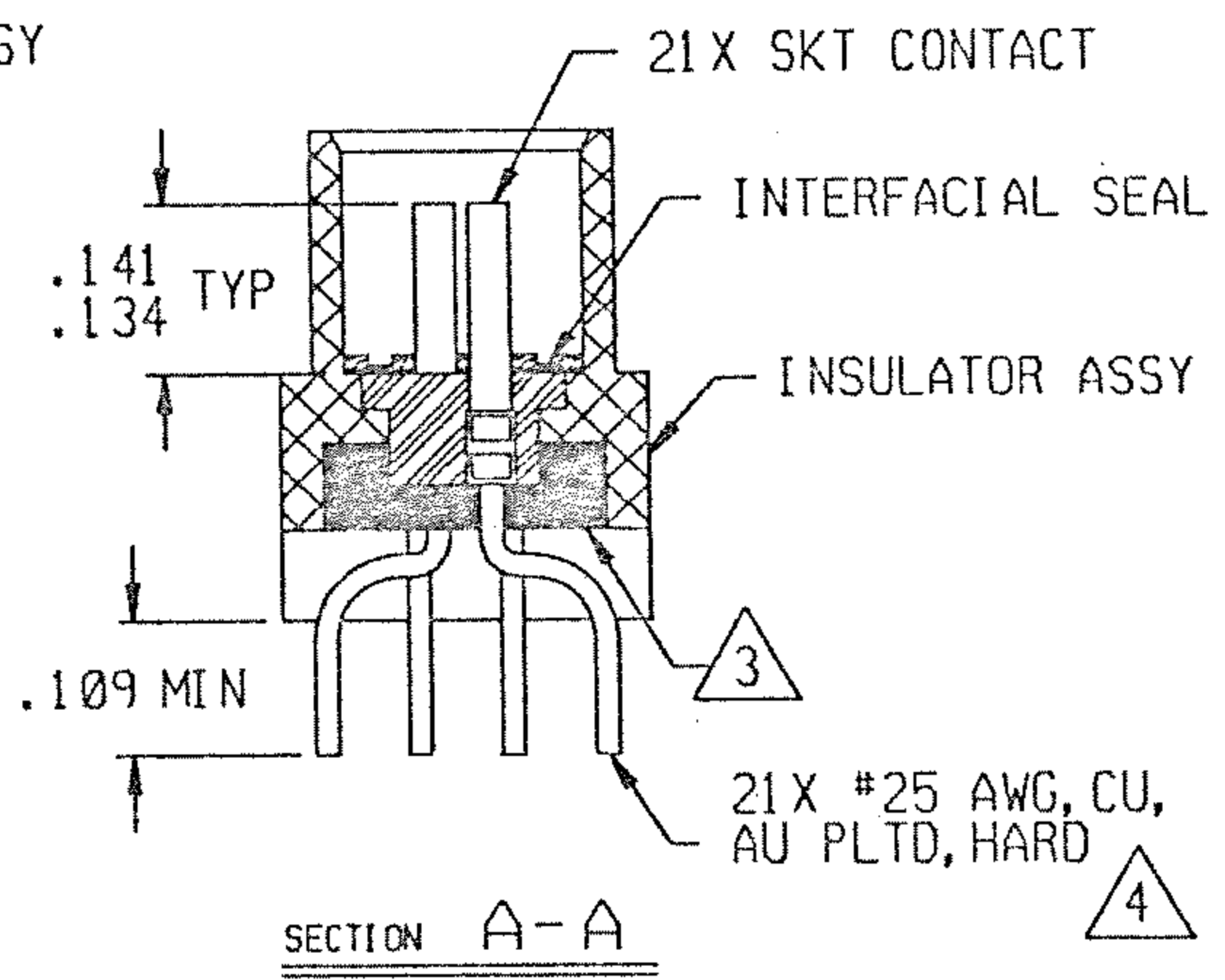


REVISION					
ZONE	LTR	ECN	DESCRIPTION	DATE	APPROVED
	C	40702	UPDATE NOTES 1 & 2, BALLOON CALLOUTS	11/15/00	<i>[Signature]</i>
	D		UPDATE PER ECO-10-017486	8/25/10	PJS



NOTES: UNLESS OTHERWISE SPECIFIED

- 1. MARK PER TPD.
- 2. JACKNUT ASSEMBLIES AS SHOWN ARE ASSEMBLED ON FLANGE.
- 3. EPOXY AS SHOWN. WICKING PERMITTED BEYOND POTTING WELL.
- 4. TERMINAL WIRES ARE TO BE SOLDER DIPPED UP TO MOUNTING SURFACE (MINIMUM).
- 5. LEAD IDENTIFICATION AS SHOWN ARE REFERENCE ONLY. DO NOT APPEAR ON THE PART.
- 6. CRIMP LEADS INTO CONTACTS PER MEP302-05.

UNLESS OTHERWISE SPECIFIED DIMENSIONS ARE IN INCHES. TOLERANCE ARE: FRACTIONS ± 1/8 DECIMALS .XX ± .01 .XXX ± .005 ANGLES ± 2°	APPROVALS		<b>MALCO</b> A MICRODOT COMPANY, INC. 306 PASADENA AVE., SO. PASADENA, CA 91030	METAL SHELL 'D' CONNECTOR, PLUG MCK-**-P-21SST2 094-5306-7003	PROD CODE 845 CASE M
	SIGNATURE	DATE			
	CHECKED				
	PROJ. ENG.				
MATERIAL:	THIS DOCUMENT IS THE PROPERTY OF MALCO, A MICRODOT CO. USE OF THIS DOCUMENT OR ANY PART OF THEREOF IS STRICTLY FORBIDDEN WITHOUT THE EXPRESS WRITTEN PERMISSION OF MALCO, A MICRODOT COMPANY.		SIZE	CODE IDENT NO.	DRAWING NO.
FINISH:			A	98278	2-1532012-6
			SCALE: NONE	SHEET 1 OF 1	

## X-ON Electronics

Largest Supplier of Electrical and Electronic Components

*Click to view similar products for [D-Sub Micro-D Connectors](#) category:*

*Click to view products by [TE Connectivity](#) manufacturer:*

Other Similar products are found below :

[M243082311F](#) [M2430834F](#) [M24308/4-6F](#) [65-1920-15](#) [M83513/01-HN](#) [M83513/03-A10N](#) [M83513/03-B14C](#) [M83513/03-D09C](#) [M83513/03-D11N](#) [M83513/03-G02N](#) [M83513/03-G05N](#) [M83513/03-G08C](#) [M83513/03-G09N](#) [M83513/03-G12N](#) [M83513/03-H13N](#) [M83513/04-E15N](#) [M83513/04-G04C](#) [M83513/10-E01NP](#) [M83513/13-B01NP](#) [M83513/13-C01NN](#) [M83513/16-A01CP](#) [M83513/22-D01NP](#) [M83513/25-B01NP](#) [6R2004A30F015](#) [6R4006A28A120](#) [703006A13F060](#) [704002A03F200](#) [705001A13F120](#) [7-1532020-5](#) [748567-1-P](#) [MDB1-31SH003](#) [MDM-15PBS-L58](#) [MDM-15PCBRM7T](#) [MDM-15PH003B-A174](#) [75-068624-59S](#) [MDM-15PH034B](#) [MDM-15SH001L](#) [MDM-15SH004B](#) [MDM-21PH003K](#) [MDM-25PH003B-A174](#) [MDM-25PHW01F-A174](#) [MDM-37PH006L-A174](#) [MDM-37PH048M5-A174](#) [MDM-37SCBRP-A174](#) [MDM-51PBS-L56](#) [MDM-51PSF](#) [MDM-51SH003M7](#) [MDM-51SSM7-A174](#) [MDM-9PBSP-L58](#) [MDM-9PH003M7](#)