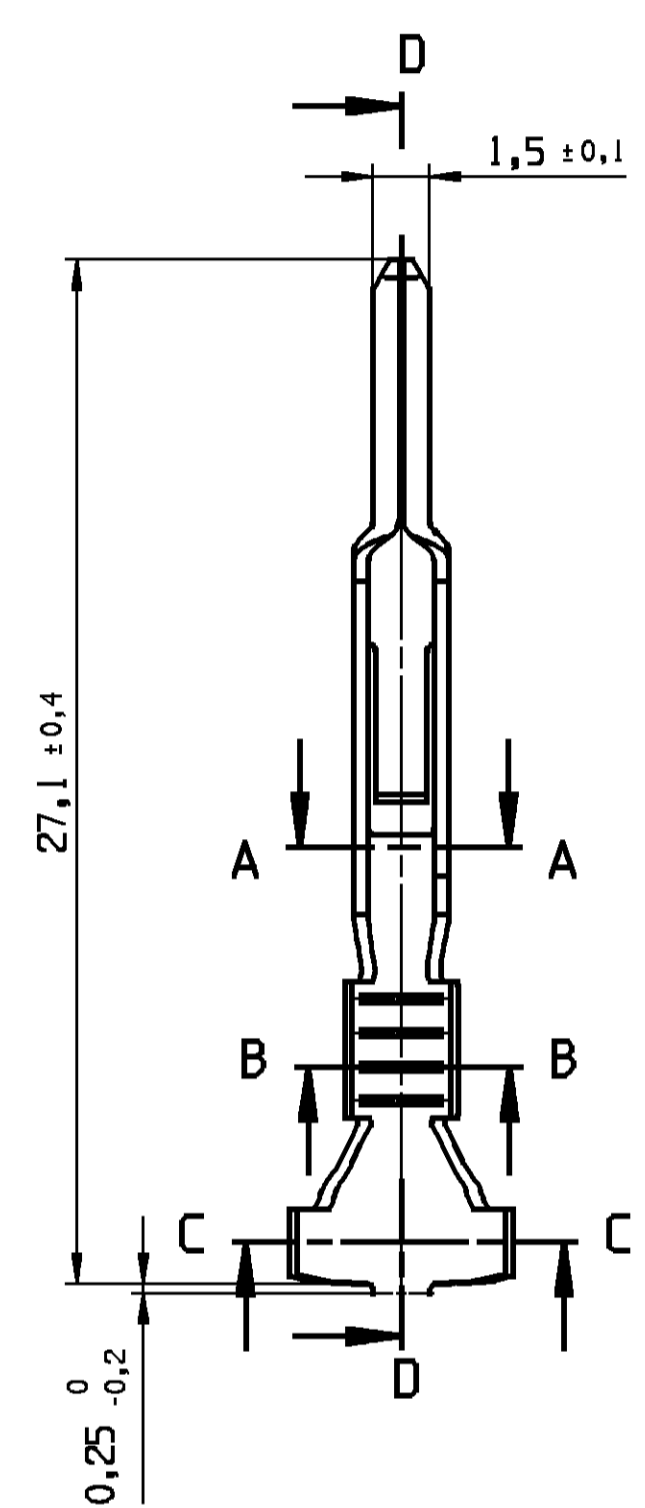


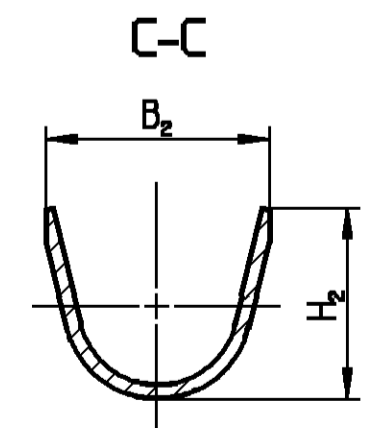
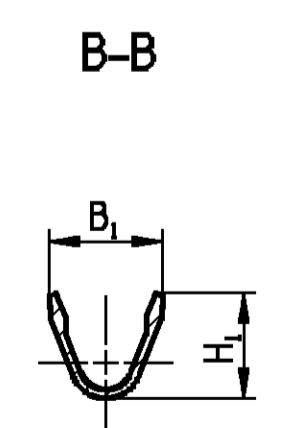
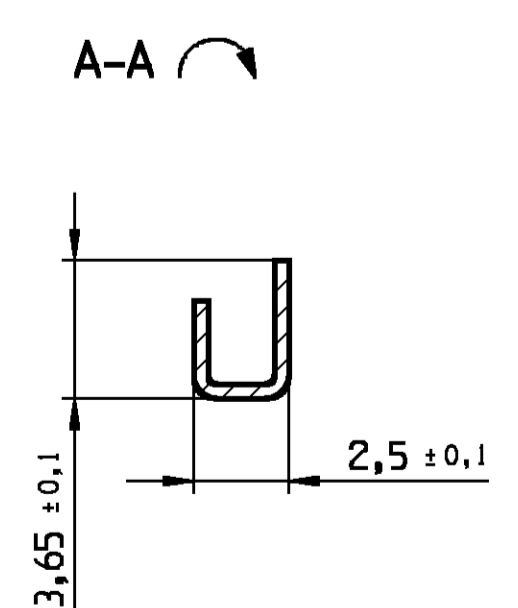
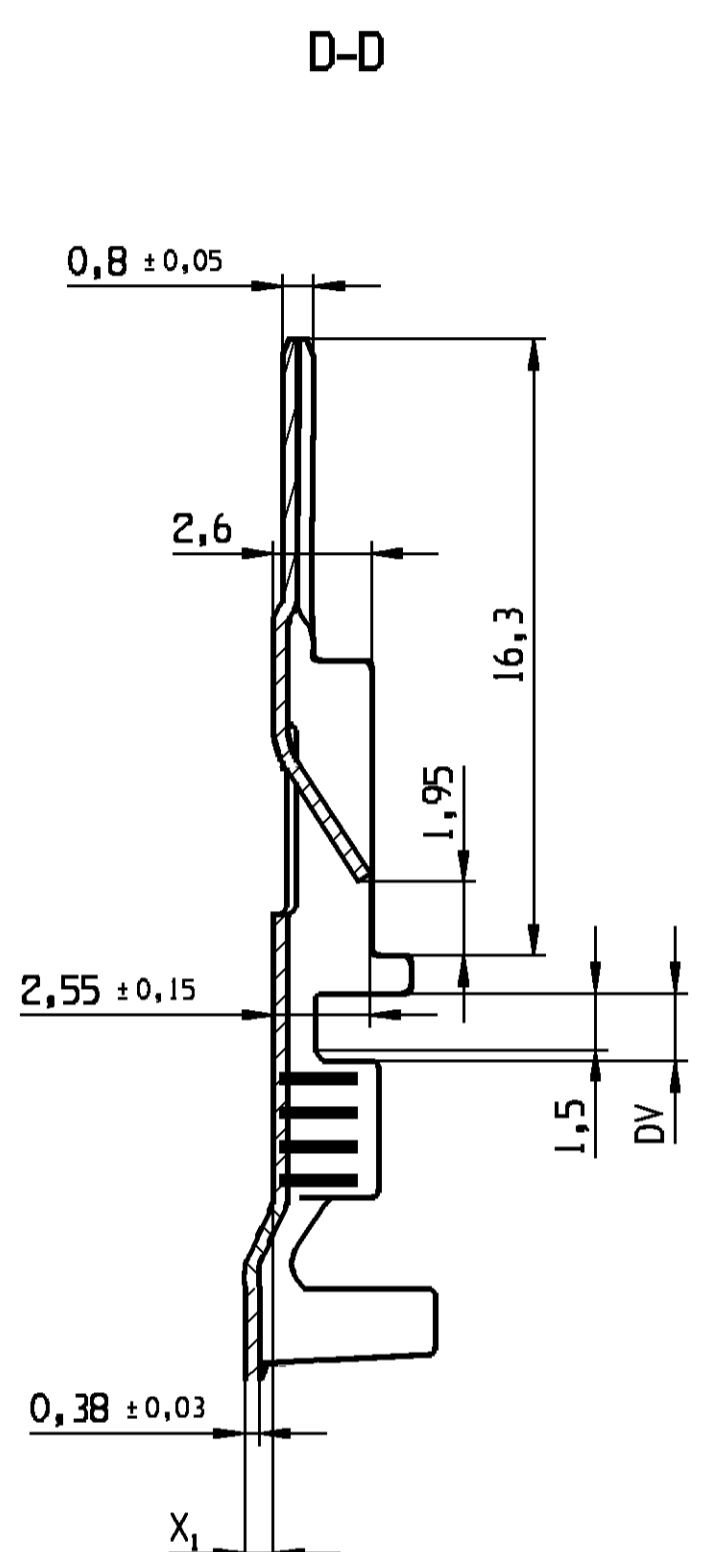
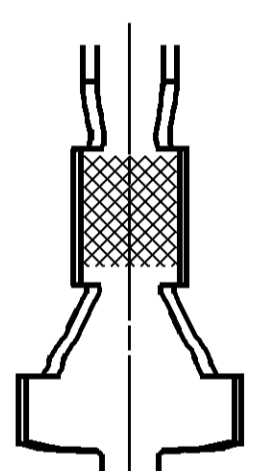
TERMINALS TO BE SUPPLIED WOUND AS SHOWN  
SPULRICHTUNG

KEY PRODUCT CHARACTERISTICS					
⊖	SAFETY/COMPLIANCE	◇	FIT/FUNCTION	TOTAL ON DRAWING	0
⊗	S/C CHECKPOINTS	◇	F/F CHECKPOINTS	LAST NO. USED	0
NO & TYPE	DESCRIPTION	RATIONALE	PTS	ZONE	

DWG STATUS				REVISION HISTORY		AUTH		DR		APVD	
DATE	STG	REV	IN/P/CHG	ZONE							
22FE13	R	19			15519936 ADDED				FRI	GUT	SYS



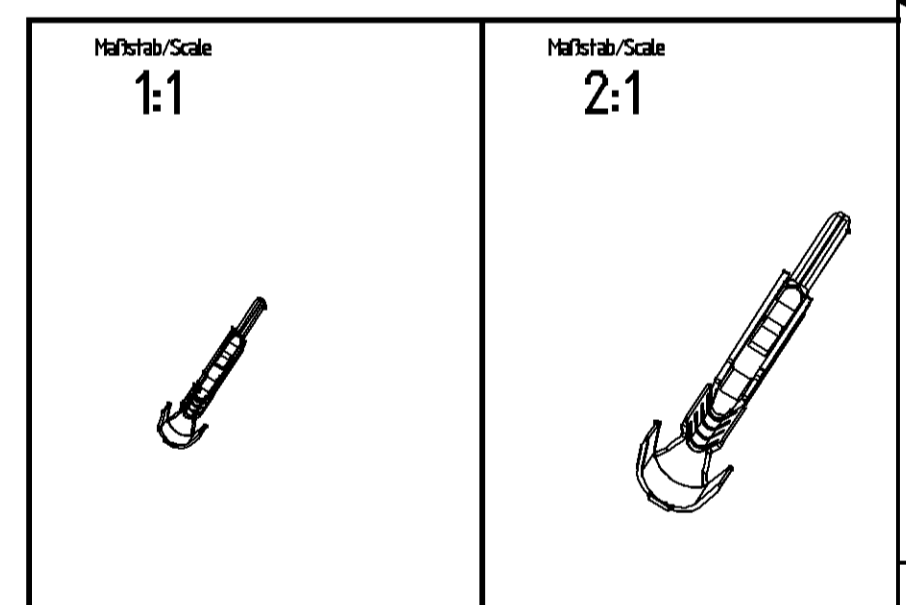
ONLY PART-NO.  
NUR TEIL-NR.  
15519936



- Bemerkungen:**
- \* maximaler Freiraum für Zweitverriegelung
  - zulässiges Entriegelungswerkzeug Part No.:
  - für die Verarbeitung gelten die Crimpparameter aus der Crimpvalidation von Delphi: Packard Process Engineering

DV	X <sub>1</sub>	H <sub>2</sub>	H <sub>1</sub>	B <sub>2</sub>	B <sub>1</sub>	OBERFLÄCHE SURFACE	WERKSTOFF MATERIAL	LTG.-TYP CABLE-TYPE	QUERSCHN. CROSS-SECTION	PART-NO. TEILE-NR.	PART REV.	REV.- DATE	PART WEIGHT
1.80	0.75	5.00	4.00	5.90	3.40	SN	CUZ9NSB	FLYAL	2.50	15519936	01	22FE13	0.42
			4.00	3.40	3.40			FLY	1.50 - 2.50	15344867	18	Z1MR00	0.42
			2.80	3.00	3.00			-	0.50 - 1.00	15344866	18	Z1MR00	0.39

DIN TO CHECK PRUEFMASSE		DISTR CODE	
DIN FOR HELP HILFSSMASSE		D	
THEORETIC DIN THEORE. MASSE		ROUTING	
		UNLESS OTHERWISE SPECIFIED	
		GENERAL TOLERANCES ACCORDING TO: SEE CHART	
		GD&T ACCORDING TO:	
		REFERENCE 6801267	
		FIRST ANGLE PROJECTION	
		DO NOT SCALE USE MATH DATA	
		UNIGRAPHICS	



**DELPHI**

DELPHI DEUTSCHLAND GMBH  
D-42119 WUPPERTAL  
COPYRIGHT 1999 DELPHI CORPORATION AND/OR ITS AFFILIATES. ALL RIGHTS RESERVED.  
REVISI 2013  
THIS DRAWING IS THE PROPERTY OF DELPHI CORPORATION AND CONTAINS DELPHI CONFIDENTIAL INFORMATION. THE REPRODUCTION, DISTRIBUTION AND UTILIZATION OF THIS DOCUMENT OR ITS RELATED CAD DATA, AS WELL AS COMMUNICATION OF ANY CONTENT TO OTHERS, WITHOUT EXPRESS AUTHORIZATION, IS PROHIBITED.

DR	REDMANN	DATE	14JU99
APVD1	WISNIEWSKI		15JU99
APVD2	SYS		22FE13
APVD3			
APVD4			
APVD5			

DRAWING NAME		TAXI TERM M M/P 150	
DRAWING NUMBER		15344868	
SIZE	SCALE	FRAME NO	SHEET NO
A1	10:1	1 OF 1	1 OF 1
STG	REV	N/P	
R	19		

DELPHI D-42119 WUPPERTAL