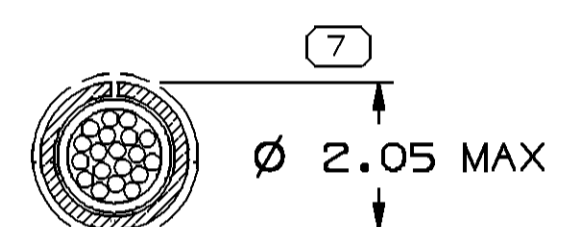
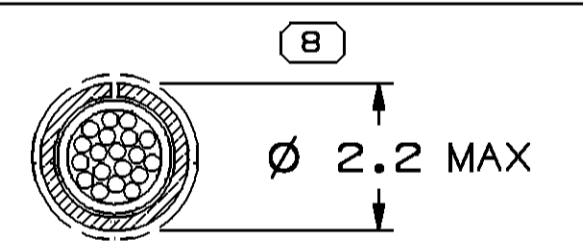


SEE P/N BLOCK FOR COMPLETE CABLE DIAMETER RANGE



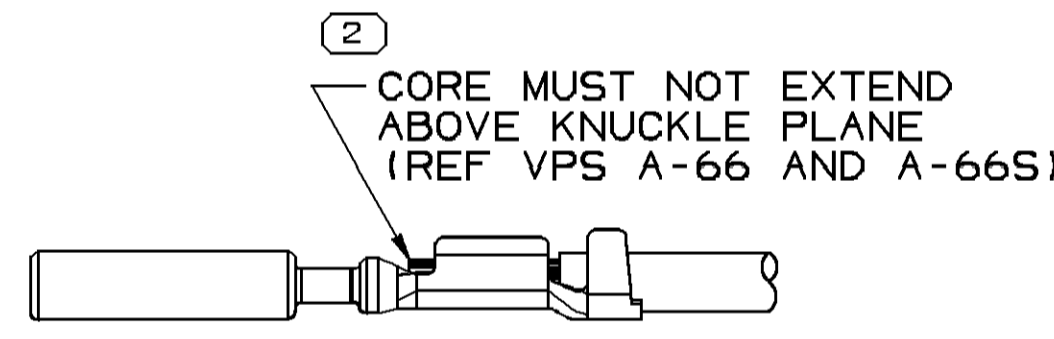
MAXIMUM INSULATION CRIMP DIMENSIONS

MAXIMUM CABLE INSULATION DIAMETER TO BE USED IS 1.9 MM REF ES-M-3292 OR EQUIVALENT SPECIFICATION

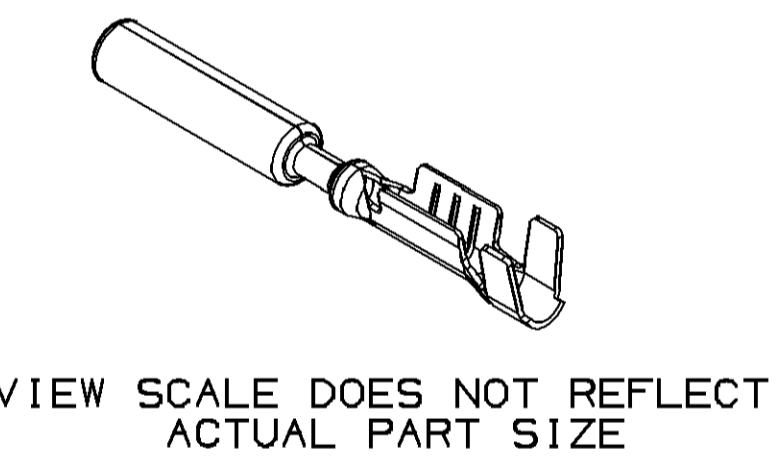
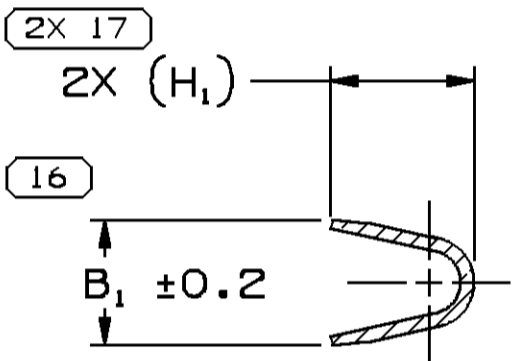
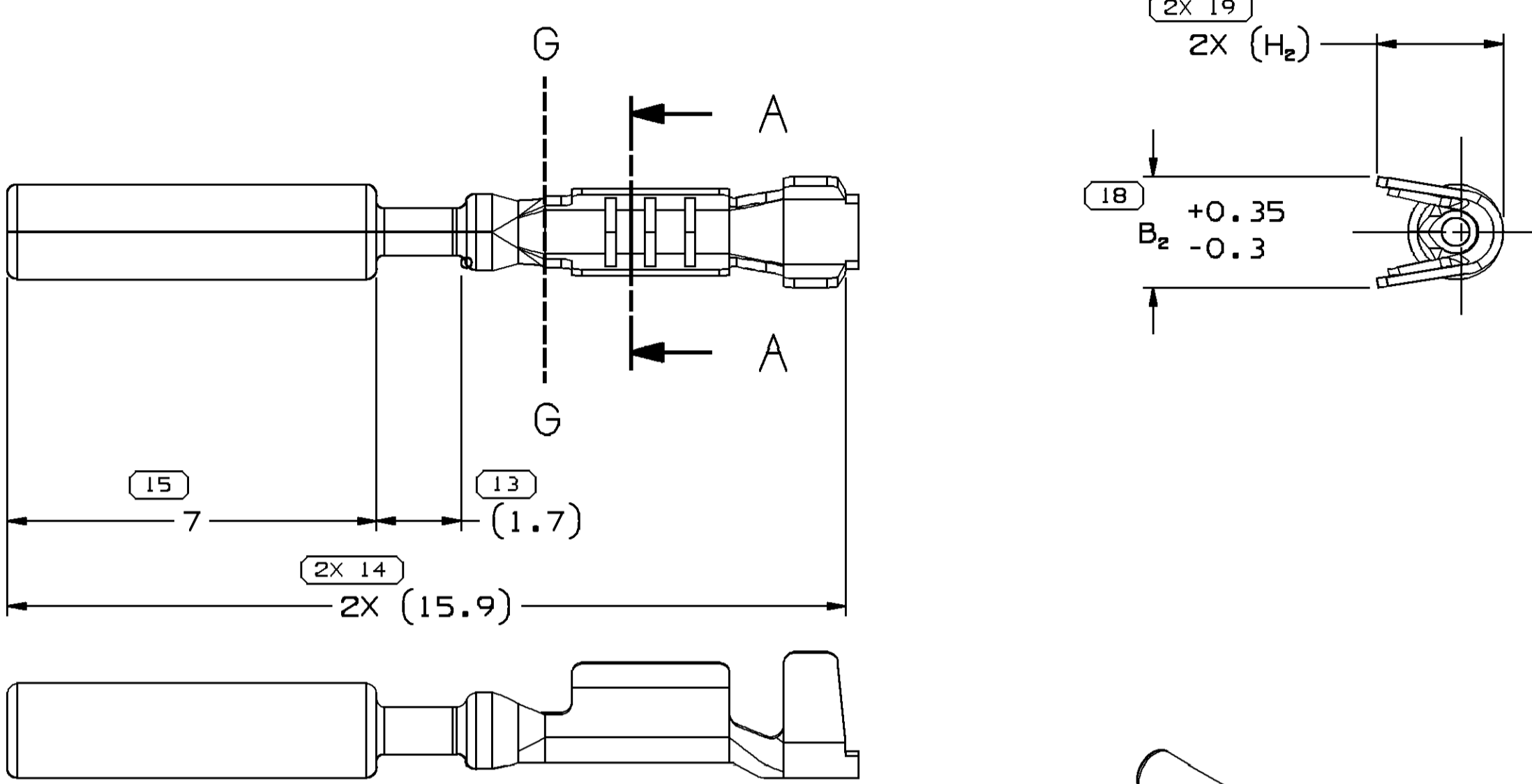


OPTIONAL CONSTRUCTION: MAXIMUM CABLE INSULATION DIAMETER TO BE USED IS 2.2 mm (0.5 mm<sup>2</sup> CORE) (SEE NOTE #4)

CRIMP STRAIGHTNESS AND CORE RESTRICTIONS



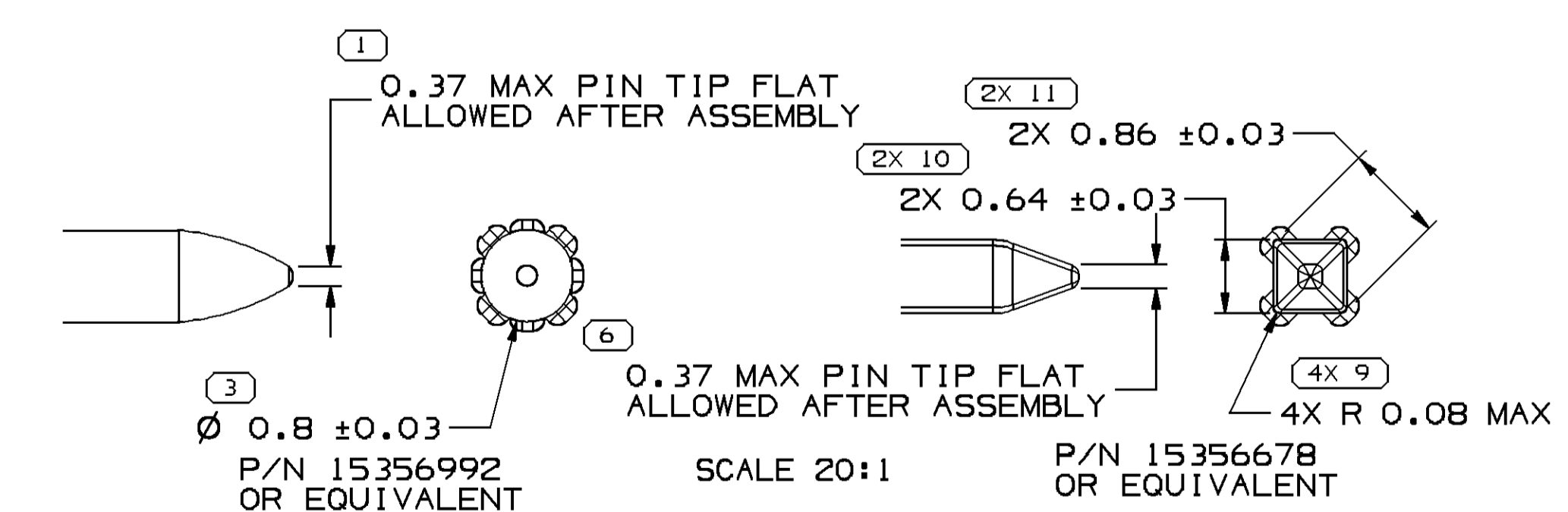
SYMBOL DEFINITION		MISSING SYMBOLS	
A DIMENSION WITHOUT AN INSPECTION REPORT SYMBOL DOES NOT REQUIRE INSPECTION. IT MAY BE CONTROLLED ON THE INDIVIDUAL COMPONENT DRAWING.	TOTAL NO OF INSPECTIONS REQUIRED	NO MISSING SYMBOL NUMBER	27
	LAST NO. USED		19



NOTES

- UNLESS OTHERWISE SPECIFIED AND/OR INDICATED: DIMENSIONS ARE TO FACE OF VIEW SHOWN AND AUTOMATICALLY ROUNDED BY COMPUTER FOR INSPECTION. (SEE MATH MODEL FOR PRECISE DIMENSIONS.) FOR ALL OTHER DIMENSIONS NOT SHOWN BUT REQUIRED FOR TOOL BUILD, SEE MATH MODEL FOR PRECISE TOOL PATH DATA.
- MAXIMUM CURRENT CAPACITY IS 7 AMPS.
- MATING COMPONENTS: CONNECTOR 15356814 OR EQUIVALENT PIN (SEE MATING PIN DESIGN VIEWS)
- TERMINAL 15356827 MAY BE USED WITH 0.5 mm<sup>2</sup> CABLE UP TO 2.19 MAX O.D. THIS IS FOR A SPECIAL APPLICATION WHERE CONNECTOR CAVITIES ARE AT 3 MIN NOMINAL SPACING (REFERENCE CONNECTOR ASSEMBLY PE116214 OR PE128727 OR EQUIVALENT)
- DO NOT PROBE, TEST OR OTHERWISE CONTACT THE INTERIOR REGION (THE SPRING OR ANY MOVING PART) OF THIS TERMINAL. SEVERE DAMAGE CAN OCCUR, COMPROMISING THE PERFORMANCE OF THE ELECTRICAL INTERFACE.

DWG STATUS		ZONE		REVISION HISTORY		AUTH		DR		APVD	
DATE	STG	REV	N/P	CHG							
03MY00	R	001	-	-		ALL PARTS- RELEASED	000005	LOA	PHC	KG	
19SE00	R	002	-	-		15394147 & 15401440 - RELEASED	000005	JMR	JMR	BTG	
06N000	R	003	-	-		ALL PARTS REVISED. 15359541 - RELEASED REVISED MATING PIN DESIGNS.	204501	SHH	SHH	KG	
18JA01	R	004	-	-		15394147 & 15401440 - MAT'L SPEC WAS M-1628	206006	TLD	TLD	BTG	
23JA01	R	005	-	-		ALL PARTS - REVISED TOLERANCES, ADDED ALTERNATE CONSTRUCTION VIEW	206205	CJP	CJP	KG	
23JA01	R	006	-	-		ALL PARTS - UPDATED PDM ATTRIBUTES, REVISED GRAPHICS	206881	CJP	CJP	KG	
30AP01	R	007	-	-		ALL PARTS - REVISED MAT'L SPEC IN CHART, (1.7) WAS 1.7 MIN	209072	JMR	JMR	KG	
28SE01	R	008	-	-		ALL PARTS - UPDATED PDM ATTRIBUTES	215149	AMG	AMG	KG	
24JL02	R	09	-	-		ALL PARTS - ADDED NOTE; REVISED GRAPHICS TO SHOW ROUND CRIMP	228371	MAC	MAC	KG	
31JA03	R	10	-	-		ALL PARTS - UPDATED PDM ATTRIBUTES	231297	JVM	JVM	KG	
23JA03	R	11	-	-		ALL PARTS - ADVANCED REVISION LEVEL	235918	LMB	LMB	TV	
30JA04	R	12	-	-		15394147, 15401440 - REVISED CUSTOMER PRINT	250730	JEB	JEB	TV	
04MR04	R	13	-	-		ALL PARTS - UPDATED PDM ATTRIBUTES; 15394147, 15401440 - REVISED CUSTOMER PRINT WAS REVISED CUSTOMER PRINT	252450	ADK	ADK	KG	
01JL04	R	14	-	-		ALL PARTS - ADDED PIN TIP FLAT REQUIREMENT, NOTE #13, AND GAGE NUMBER.	256626	MJM	MJM	KG	
14JA05	R	15	-	-		ALL PARTS - UPDATED FORMAT 15401440 - UPDATED PDM ATTRIBUTES	263237	BRB	BRB	KG	
01DE05	R	16	-	-		ALL PARTS - UPDATED PDM ATTRIBUTES	274991	TS	TS	JS	
02MR06	R	17	-	-		13576051 - RELEASED AND ALL PARTS - UPDATED PDM ATTRIBUTES	277466	JS	JS	KG	
06FE07	R	18	-	-		15401440 - UPDATED PDM ATTRIBUTES	400433	JBD	AUG	EJH	
06N008	R	19	-	-		13737550 - RELEASED	406681	HAD	JHP	HAD	
22JA09	R	20	-	-		13737550 - UPDATED PDM ATTRIBUTES	407152	HAD	JVM	HAD	
29SE09	R	21	-	-		ALL PARTS - REVISED NOTE # 4 REFERENCE CONNECTOR ASSEMBLY WAS 15461664	409049	FKV	FKV	KRG	
19N010	R	22	-	-		15401440 & 15394147 - UPDATED PDM ATTRIBUTES	409944	DGL	DGL	TV	
23DE11	R	23	-	-		13933575 - RELEASED	416518	CDL	RCC	CDL	
15JA15	R	24	-	-		13576051 & 13933575 - UPDATED PART AVAILABILITY	428416	AHY	AHY	KG	
03FE15	R	25	-	-		15356826 & 15356827 - UPDATED REVISION LEVEL AND 13576051 - UPDATED PART AVAILABILITY	428728	AHY	AHY	KG	



MATING PIN DESIGNS

REFER TO SPECIFIC PIN DRAWINGS FOR COMPLETE REQUIREMENTS (I.E. MATERIAL, PLATING DIMENSIONS, ETC)

INSPECTION SYMBOLS SHOWN IN THESE VIEWS ARE FOR REFERENCE ONLY

PART NO	REV	N/P	MAT'L SIZE	MAT'L SPEC (PLATING)	SIZE (MM <sup>2</sup> )	ID	CABLE	DIA	B <sub>1</sub> ± 0.2	B <sub>2</sub> ± 0.35	(H <sub>1</sub> )	(H <sub>2</sub> )
13933575	01	AA	0.1778 X 30.48	METL NONFERROUS C19025 1/2 HD (SILVER)	0.35	22	1.63-1.47	1.65	2.1	1.9	2.4	2.4
13737550	01	AC	0.1778 X 30.48	METL NONFERROUS C19025 1/2 HD (TIN)	0.13-0.22	25	0.95-0.81	1.4	1.7	1.5	1.6	1.6
13576051	01	AC	0.1778 X 30.48	METL NONFERROUS C19025 1/2 HD (TIN)	0.22	24	1.1-1.3	1.4	1.7	1.5	1.6	1.6
15359541	02	AH	0.1778 X 30.48	METL NONFERROUS C42500 1/2 HD (GOLD)	0.5-0.8	19	1.9-1.64	2.08	2.5	2.4	2.5	2.5
15401440	03	AN	0.1778 X 30.48	METL NONFERROUS C19025 1/2 HD (TIN)	0.5-0.8	19	1.9-1.64	2.08	2.5	2.4	2.5	2.5
15394147	03	AM	0.1778 X 30.48	METL NONFERROUS C19025 1/2 HD (TIN)	0.35	22	1.63-1.47	1.65	2.1	1.9	2.4	2.4
15356827	04	AJ	0.1778 X 30.48	METL NONFERROUS C42500 1/2 HD (GOLD)	0.5-0.8	19	1.9-1.64 SEE NOTE #4	2.08	2.5	2.4	2.5	2.5
15356826	04	AJ	0.1778 X 30.48	METL NONFERROUS C42500 1/2 HD (GOLD)	0.35	22	1.63-1.47	1.65	2.1	1.9	2.4	2.4

DIMENSIONAL RANGE (MM)	CHART 'D'
FROM 0 TO 12	> 12

TOLERANCE UNLESS OTHERWISE SPECIFIED  
±0.1 ±0.2  
ANGULAR TOLERANCE ±2°

LINE DRAWN THROUGH A PART NUMBER INDICATES THAT PHYSICAL PARTS ARE NOT AVAILABLE FOR ORDERING.

PART NUMBERS THAT DO NOT HAVE A LINE PRESENT INDICATE THAT PHYSICAL PARTS ARE AVAILABLE FOR ORDERING.

CONTACT DELPHI SALES TO ASSURE AVAILABILITY OF PARTS.

DWG TYPE: PART DRAWING

STYLE: D

VOLUME (CPI): DISTR CODE: D

UNLESS OTHERWISE SPECIFIED THIS DOCUMENT IS IN ACCORDANCE WITH ASME Y14.5M-1994 AS MODIFIED BY THE GM GLOBAL DIMENSIONING AND TOLERANCING ADDENDUM-2001. SEPARATE PATTERNS OF FEATURES MAY BE GAGED SEPARATELY REGARDLESS OF DATUM REFERENCES.

ALL DIMENSIONS ARE IN MILLIMETERS

REFERENCE:

THIRD ANGLE PROJECTION

DO NOT SCALE

USE MATH DATA

NX

**DELPHI**  
DELPHI PACKARD ELECTRICAL/ELECTRONIC ARCHITECTURE  
WARREN, OH  
COPYRIGHT 2000 DELPHI CORPORATION AND/OR ITS AFFILIATES. ALL RIGHTS RESERVED.

THIS DRAWING IS THE PROPERTY OF DELPHI CORPORATION AND CONTAINS DELPHI CONFIDENTIAL INFORMATION. THE REPRODUCTION, DISTRIBUTION AND UTILIZATION OF THIS DOCUMENT OR ITS RELATED CAD MATH DATA, AS WELL AS COMMUNICATION OF ANY CONTENT TO OTHERS, WITHOUT EXPRESS AUTHORIZATION, IS PROHIBITED.

DR	DATE
APVD1 LUIS ORDUNA A.	03MY00
APVD2 P. H. CASTRILLON	04MY00
APVD3 K. GRZENA	26MY00
APVD5	

SUBSTANCES OF CONCERN AND RECYCLED CONTENT PER DELPHI 10949001

MATERIAL SEE CHART

DRAWING NAME: TAXI TERM F MICRO 64

DRAWING NUMBER: 15356828

SIZE	SCALE	FRAME NO	SHEET NO	STG	REV	N/P
A1	10:1	1 OF 1	1 OF 2	R	25	-