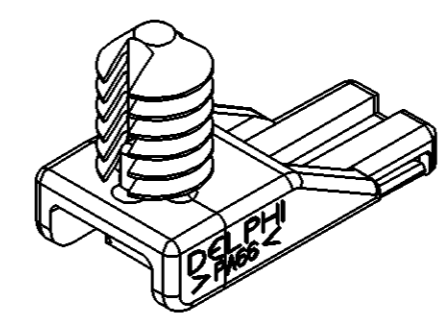
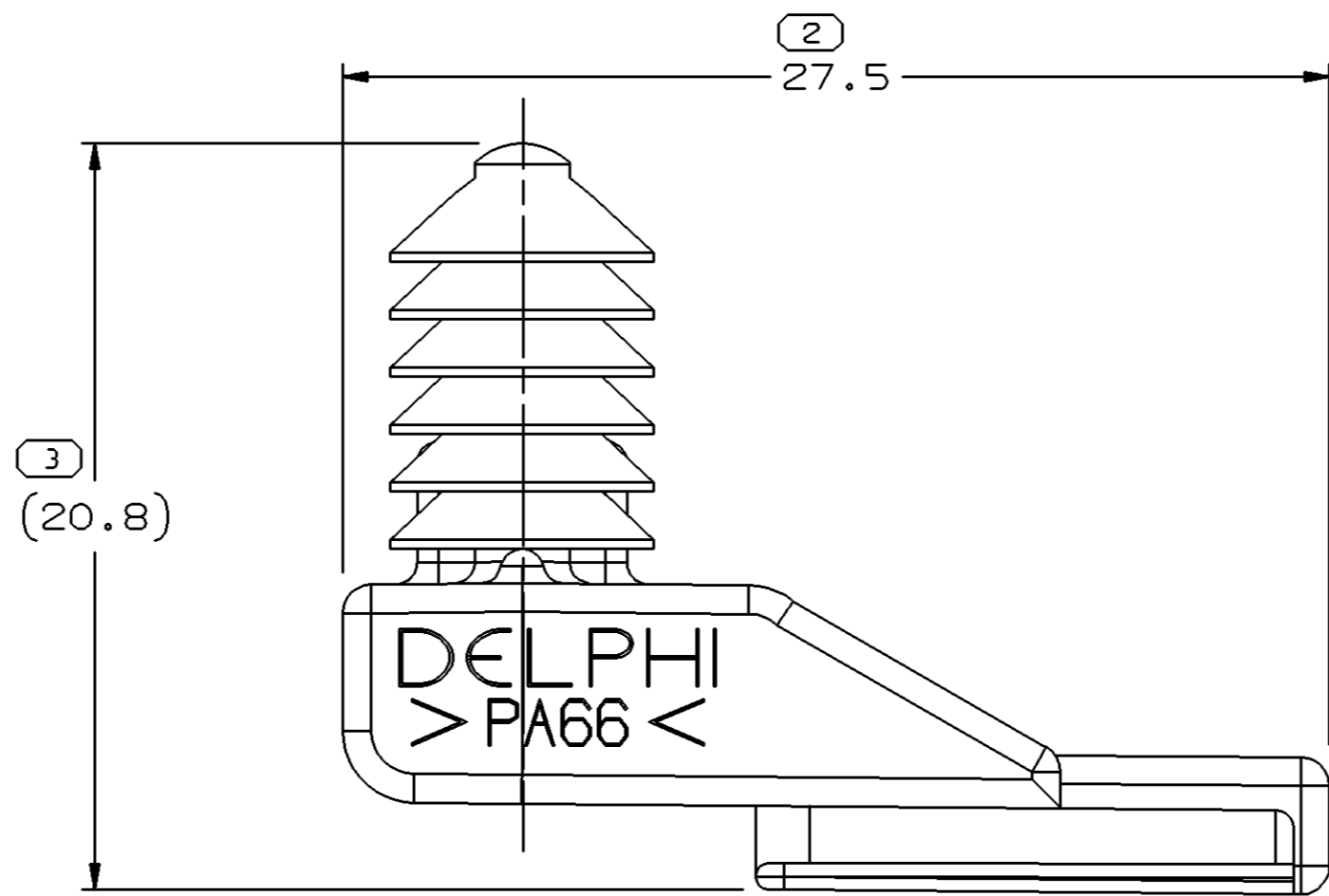
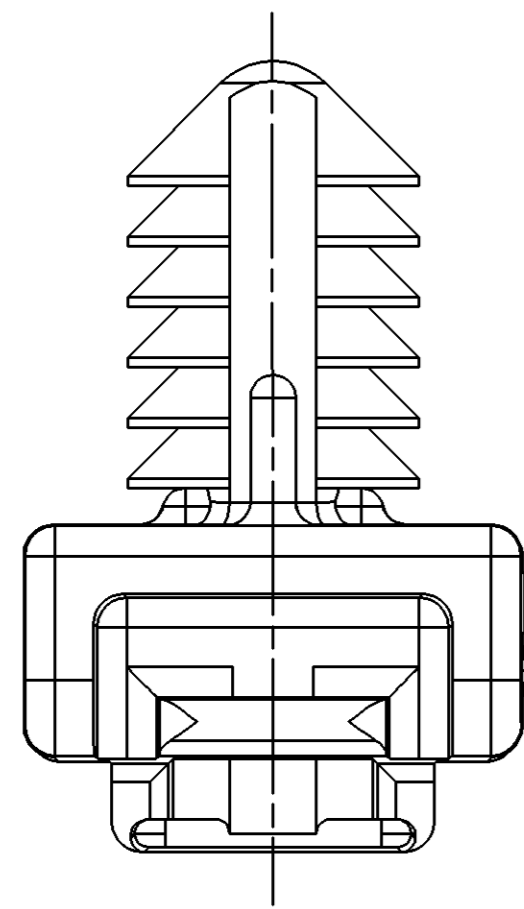
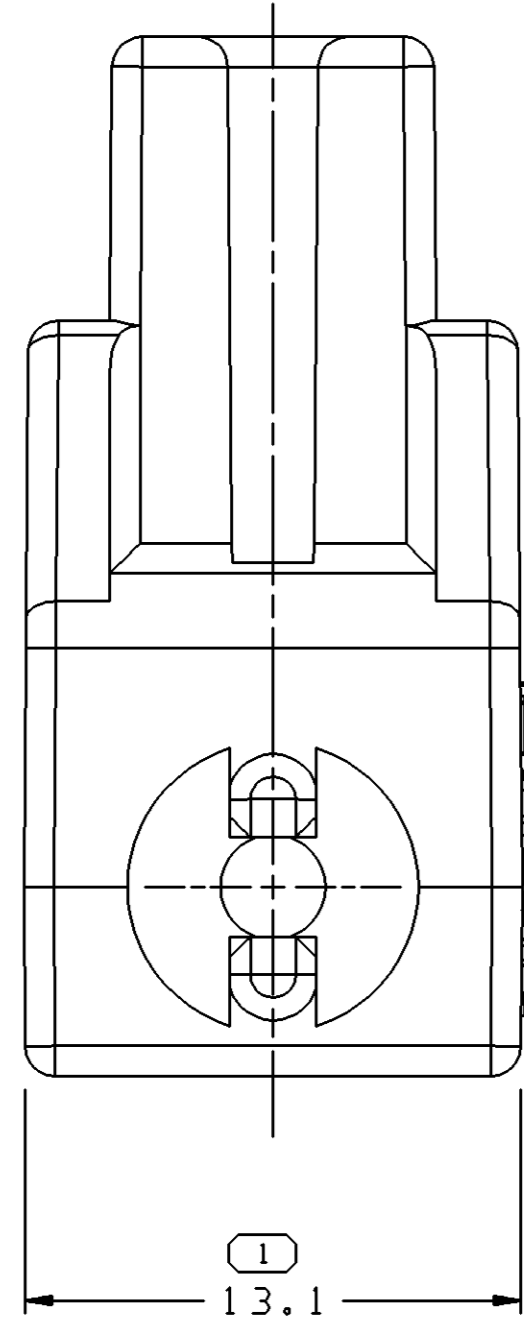


| SYMBOL DEFINITION | | MISSING NUMBERS | |
|--|---------------------------------|-----------------|--|
| THE NUMBER INSIDE THE SYMBOL () CORRESPONDS TO THE NUMBER ON THE INSPECTION REPORT FOR THIS DRAWING/PART NUMBER | TOTAL NO. OF SYMBOLS ON DRAWING | 3 | |
| | LAST NO. USED | 3 | |

| DWG STATUS | | | | | ZONE | REVISION HISTORY | | | AUTH | DR | APVD1 | APVD2 |
|------------|-----|-----|-----|-----|------|---|--|--|--------|-----|-------|-------|
| DATE | STG | REV | N/P | CHG | | | | | | | | |
| 22JA99 | R | 002 | -- | -- | | CLEARED REV COLUMN & REVISED GRAPHICS | | | 192302 | LMM | JGS | SN |
| 18AP05 | R | 02 | AA | - | | MAT'L SPEC WAS R0071784 AND ADDED NOTES 2 & 4 | | | 265515 | MJM | MJM | ET |



VIEW SCALE DOES NOT REFLECT ACTUAL PART SIZE

- NOTES
- UNLESS OTHERWISE SPECIFIED AND/OR INDICATED:
DIMENSIONS ARE TO FACE OF VIEW SHOWN AND AUTOMATICALLY ROUNDED BY COMPUTER FOR INSPECTION (SEE MATH MODEL FOR PRECISE DIMENSIONS). FOR ALL OTHER DIMENSIONS NOT SHOWN BUT REQUIRED FOR TOOL BUILD, SEE MATH MODEL FOR PRECISE TOOL PATH DATA.
 - MATERIAL RECYCLING CODE PER ISO 11469. (1.6)X(0.1) CHARACTERS AS SHOWN TO BE LOCATED ON ANY EXTERIOR SURFACE.
 - THIS PART IS NOT CONTROLLED FOR AUTOMATIC FEEDING.
 - (1.6)X(0.1) DELPHI CORPORATE BRAND TO BE LOCATED ON ANY EXTERIOR SURFACE, PREFERABLY VISIBLE AT FINAL ASSEMBLY. OPTIONAL CONSTRUCTION FOR EXISTING TOOLING MAY BE "PED".
 - RECOMMENDED HOLE SIZE: 6.35 IN 4 MAX THICK STOCK.

| DWG TYPE PART DRAWING | | DATE 24MR98 | | | | | | | | | | | | | | | | | | | | | | | | | | | | | | | | | | | | | | | | | | | | | | | | | | | | | | | | | | | | | | | | | | | |
|---|-------|--|------|--------------------------------------|------|----------|--|------|----|--|--|--|--|-----|------|-------|------|----|------|------|------|------|------|----|------|------|------|------|------|----|------|------|-------|------|------|----|------|-------|-------|------|------|----|------|-------|-------|------|------|----|------|-------|-------|------|------|----|------|-------|-------|------|------|----|------|-------|-------|------|------|----|------|----------------------------|--|
| STYLE | | DR M. MCCALL | | | | | | | | | | | | | | | | | | | | | | | | | | | | | | | | | | | | | | | | | | | | | | | | | | | | | | | | | | | | | | | | | | | |
| VOLUME (CM³) 1.299 | | APVD1 M. CHRESTAY | | | | | | | | | | | | | | | | | | | | | | | | | | | | | | | | | | | | | | | | | | | | | | | | | | | | | | | | | | | | | | | | | | | |
| DISTR CODE D | | APVD2 M. CHRESTAY | | | | | | | | | | | | | | | | | | | | | | | | | | | | | | | | | | | | | | | | | | | | | | | | | | | | | | | | | | | | | | | | | | | |
| UNLESS OTHERWISE SPECIFIED THIS DOCUMENT IS IN ACCORDANCE WITH ASME Y14.5M-1994 AS AMENDED BY THE GM GLOBAL DIMENSIONING AND TOLERANCING ADDENDUM-2001. SEPARATE PATTERNS OF FEATURES MAY BE GAGED SEPARATELY REGARDLESS OF DATUM REFERENCES. | | APVD3 S. NORLING | | | | | | | | | | | | | | | | | | | | | | | | | | | | | | | | | | | | | | | | | | | | | | | | | | | | | | | | | | | | | | | | | | | |
| ALL DIMENSIONS ARE IN MILLIMETERS | | APVD4 | | | | | | | | | | | | | | | | | | | | | | | | | | | | | | | | | | | | | | | | | | | | | | | | | | | | | | | | | | | | | | | | | | | |
| REFERENCE 001, 701 | | APVD5 | | | | | | | | | | | | | | | | | | | | | | | | | | | | | | | | | | | | | | | | | | | | | | | | | | | | | | | | | | | | | | | | | | | |
| THIRD ANGLE PROJECTION | | SUBSTANCES OF CONCERN AND RECYCLED CONTENT PER DELPHI 10949001 | | | | | | | | | | | | | | | | | | | | | | | | | | | | | | | | | | | | | | | | | | | | | | | | | | | | | | | | | | | | | | | | | | | |
| DO NOT SCALE | | MATERIAL M3592025 PA66 HS IM GRA MD | | | | | | | | | | | | | | | | | | | | | | | | | | | | | | | | | | | | | | | | | | | | | | | | | | | | | | | | | | | | | | | | | | | |
| USE MATH DATA | | DRAWING NAME MOUN CLIP CONN NAIL | | | | | | | | | | | | | | | | | | | | | | | | | | | | | | | | | | | | | | | | | | | | | | | | | | | | | | | | | | | | | | | | | | | |
| <table border="1"> <thead> <tr> <th colspan="2">DIMENSIONAL RANGE (MM)</th> <th colspan="2">TOLERANCE UNLESS OTHERWISE SPECIFIED</th> <th colspan="2">CHART E1</th> </tr> <tr> <th>FROM</th> <th>TO</th> <th></th> <th></th> <th></th> <th></th> </tr> </thead> <tbody> <tr> <td>> 0</td> <td>> 20</td> <td>±0.15</td> <td>±0.2</td> <td>±1</td> <td>±1.2</td> </tr> <tr> <td>> 20</td> <td>> 30</td> <td>±0.3</td> <td>±0.4</td> <td>±1</td> <td>±1.2</td> </tr> <tr> <td>> 30</td> <td>> 70</td> <td>±0.4</td> <td>±0.5</td> <td>±1</td> <td>±1.2</td> </tr> <tr> <td>> 70</td> <td>> 100</td> <td>±0.5</td> <td>±0.6</td> <td>±1</td> <td>±1.2</td> </tr> <tr> <td>> 100</td> <td>> 150</td> <td>±0.6</td> <td>±0.8</td> <td>±1</td> <td>±1.2</td> </tr> <tr> <td>> 150</td> <td>> 200</td> <td>±0.8</td> <td>±1.0</td> <td>±1</td> <td>±1.2</td> </tr> <tr> <td>> 200</td> <td>> 250</td> <td>±1.0</td> <td>±1.2</td> <td>±1</td> <td>±1.2</td> </tr> <tr> <td>> 250</td> <td>> 300</td> <td>±1.2</td> <td>±1.5</td> <td>±1</td> <td>±1.2</td> </tr> <tr> <td>> 300</td> <td>> 400</td> <td>±1.5</td> <td>±2.0</td> <td>±1</td> <td>±1.2</td> </tr> </tbody> </table> | | DIMENSIONAL RANGE (MM) | | TOLERANCE UNLESS OTHERWISE SPECIFIED | | CHART E1 | | FROM | TO | | | | | > 0 | > 20 | ±0.15 | ±0.2 | ±1 | ±1.2 | > 20 | > 30 | ±0.3 | ±0.4 | ±1 | ±1.2 | > 30 | > 70 | ±0.4 | ±0.5 | ±1 | ±1.2 | > 70 | > 100 | ±0.5 | ±0.6 | ±1 | ±1.2 | > 100 | > 150 | ±0.6 | ±0.8 | ±1 | ±1.2 | > 150 | > 200 | ±0.8 | ±1.0 | ±1 | ±1.2 | > 200 | > 250 | ±1.0 | ±1.2 | ±1 | ±1.2 | > 250 | > 300 | ±1.2 | ±1.5 | ±1 | ±1.2 | > 300 | > 400 | ±1.5 | ±2.0 | ±1 | ±1.2 | DRAWING NUMBER 15358639 | |
| DIMENSIONAL RANGE (MM) | | TOLERANCE UNLESS OTHERWISE SPECIFIED | | CHART E1 | | | | | | | | | | | | | | | | | | | | | | | | | | | | | | | | | | | | | | | | | | | | | | | | | | | | | | | | | | | | | | | | | |
| FROM | TO | | | | | | | | | | | | | | | | | | | | | | | | | | | | | | | | | | | | | | | | | | | | | | | | | | | | | | | | | | | | | | | | | | | | |
| > 0 | > 20 | ±0.15 | ±0.2 | ±1 | ±1.2 | | | | | | | | | | | | | | | | | | | | | | | | | | | | | | | | | | | | | | | | | | | | | | | | | | | | | | | | | | | | | | | | |
| > 20 | > 30 | ±0.3 | ±0.4 | ±1 | ±1.2 | | | | | | | | | | | | | | | | | | | | | | | | | | | | | | | | | | | | | | | | | | | | | | | | | | | | | | | | | | | | | | | | |
| > 30 | > 70 | ±0.4 | ±0.5 | ±1 | ±1.2 | | | | | | | | | | | | | | | | | | | | | | | | | | | | | | | | | | | | | | | | | | | | | | | | | | | | | | | | | | | | | | | | |
| > 70 | > 100 | ±0.5 | ±0.6 | ±1 | ±1.2 | | | | | | | | | | | | | | | | | | | | | | | | | | | | | | | | | | | | | | | | | | | | | | | | | | | | | | | | | | | | | | | | |
| > 100 | > 150 | ±0.6 | ±0.8 | ±1 | ±1.2 | | | | | | | | | | | | | | | | | | | | | | | | | | | | | | | | | | | | | | | | | | | | | | | | | | | | | | | | | | | | | | | | |
| > 150 | > 200 | ±0.8 | ±1.0 | ±1 | ±1.2 | | | | | | | | | | | | | | | | | | | | | | | | | | | | | | | | | | | | | | | | | | | | | | | | | | | | | | | | | | | | | | | | |
| > 200 | > 250 | ±1.0 | ±1.2 | ±1 | ±1.2 | | | | | | | | | | | | | | | | | | | | | | | | | | | | | | | | | | | | | | | | | | | | | | | | | | | | | | | | | | | | | | | | |
| > 250 | > 300 | ±1.2 | ±1.5 | ±1 | ±1.2 | | | | | | | | | | | | | | | | | | | | | | | | | | | | | | | | | | | | | | | | | | | | | | | | | | | | | | | | | | | | | | | | |
| > 300 | > 400 | ±1.5 | ±2.0 | ±1 | ±1.2 | | | | | | | | | | | | | | | | | | | | | | | | | | | | | | | | | | | | | | | | | | | | | | | | | | | | | | | | | | | | | | | | |
| ANGULAR TOLERANCE ±2° | | SIZE A1 | | | | | | | | | | | | | | | | | | | | | | | | | | | | | | | | | | | | | | | | | | | | | | | | | | | | | | | | | | | | | | | | | | | |
| | | SCALE 5:1 | | | | | | | | | | | | | | | | | | | | | | | | | | | | | | | | | | | | | | | | | | | | | | | | | | | | | | | | | | | | | | | | | | | |
| | | FRAME NO 1 OF 1 | | | | | | | | | | | | | | | | | | | | | | | | | | | | | | | | | | | | | | | | | | | | | | | | | | | | | | | | | | | | | | | | | | | |
| | | SHEET NO 1 OF 1 | | | | | | | | | | | | | | | | | | | | | | | | | | | | | | | | | | | | | | | | | | | | | | | | | | | | | | | | | | | | | | | | | | | |
| | | STG R | | | | | | | | | | | | | | | | | | | | | | | | | | | | | | | | | | | | | | | | | | | | | | | | | | | | | | | | | | | | | | | | | | | |
| | | REV 02 | | | | | | | | | | | | | | | | | | | | | | | | | | | | | | | | | | | | | | | | | | | | | | | | | | | | | | | | | | | | | | | | | | | |
| | | N/P AA | | | | | | | | | | | | | | | | | | | | | | | | | | | | | | | | | | | | | | | | | | | | | | | | | | | | | | | | | | | | | | | | | | | |

DELPHI
DELPHI PACKARD ELECTRIC SYSTEMS
WARREN, OH

| | |
|--|--------------------|
| DATE 24MR98 | |
| DR M. MCCALL | DATE 24MR98 |
| APVD1 M. CHRESTAY | DATE 22JN98 |
| APVD2 M. CHRESTAY | DATE 22JN98 |
| APVD3 S. NORLING | DATE 23JN98 |
| APVD4 | |
| APVD5 | |
| SUBSTANCES OF CONCERN AND RECYCLED CONTENT PER DELPHI 10949001 | |
| MATERIAL M3592025 PA66 HS IM GRA MD | |
| DRAWING NAME MOUN CLIP CONN NAIL | |
| DRAWING NUMBER 15358639 | |
| SIZE A1 | SCALE 5:1 |
| FRAME NO 1 OF 1 | SHEET NO 1 OF 1 |
| STG R | REV 02 |
| N/P AA | |