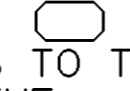
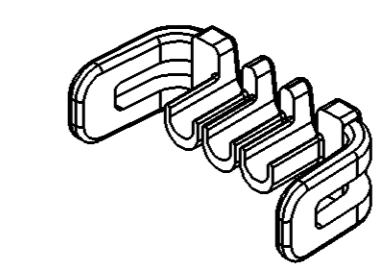
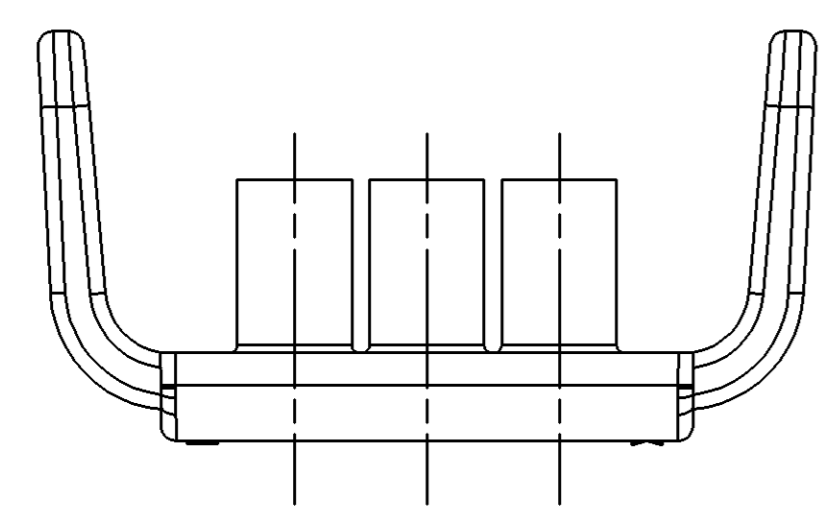
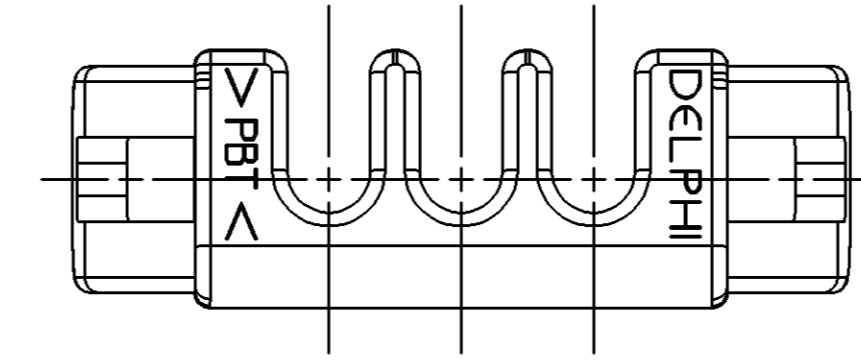
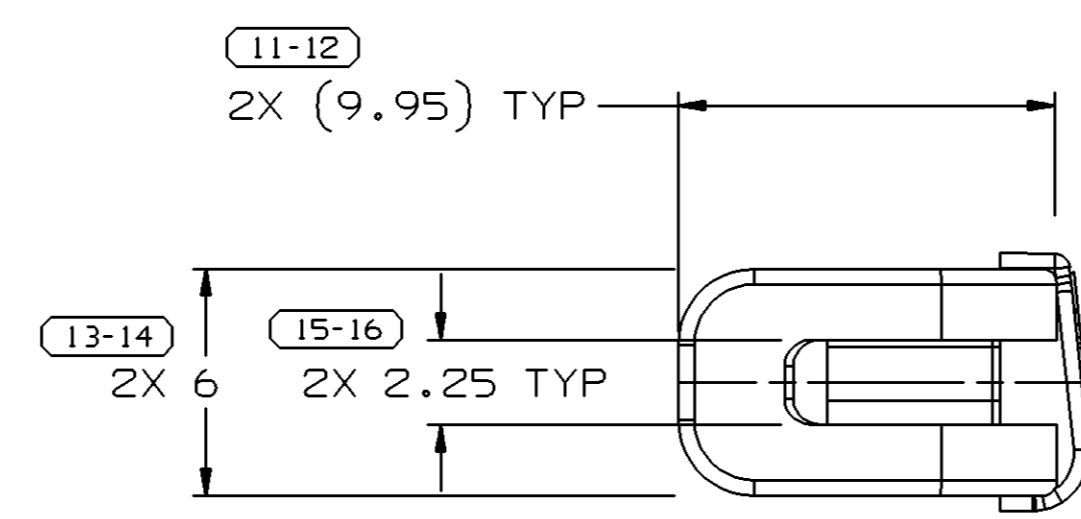
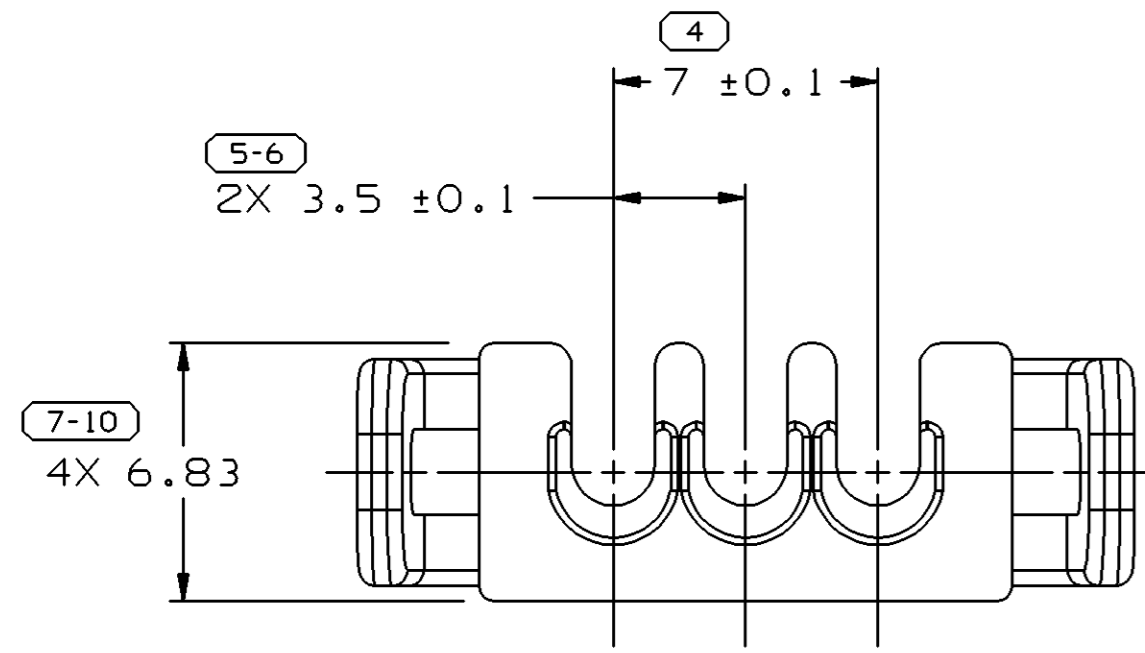
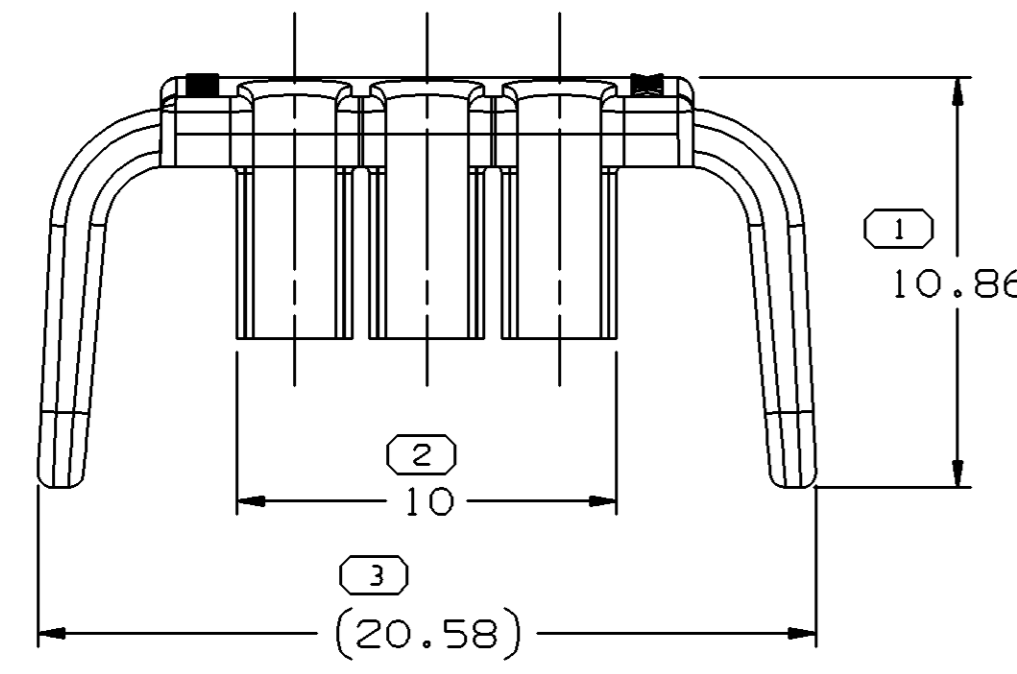


SYMBOL DEFINITION		MISSING NUMBERS	
THE NUMBER INSIDE THE SYMBOL  CORRESPONDS TO THE NUMBER ON THE INSPECTION REPORT FOR THIS DRAWING/PART NUMBER	TOTAL NO. OF SYMBOLS ON DRAWING	9	
	LAST NO. USED	16	

DWG STATUS					ZONE	REVISION HISTORY	AUTH	DR	APVD1	APVD2
DATE	STG	REV	N/P	CHG						
26SE99	R	01	-	-		RELEASED	990005	TMN	TMN	DM
060C99	R	02	-	-		REMOVED DRAFT ON FLEX LOCKS AND MATERIAL WAS PM002191 005 PBT-BLU	196797	TMN	TMN	DM
210C99	R	03	-	-		DIM # 13-14 WAS 5.74	197482	TMN	TMN	DM
14MR00	R	04	-	-		MATERIAL SPEC WAS R0100111 PBT-BLU	199397	AAS	AUG	AL
25AU00	R	05	-	-	G3	DIM 1 WAS 9.86; DIM 3 WAS 20.52 AND DIMS 11-12 WERE 9.02	202943	LLJ	LLJ	AL
170C00	R	06	-	-	G3	DIM 15-16 WAS 2X 2.51 TYP	203913	JS	JS	AL
29N001	R	06	AA	-		UPDATED PDM ATTRIBUTES	218025	MAC	MAC	MC
15JL04	R	06	AB	-		MATERIAL SPEC WAS R0100108 PBT-BLK AND UPDATED PDM ATTRIBUTES	256844	HAM	HAM	MAC



SCALE 2:1

NOTES

- UNLESS OTHERWISE SPECIFIED AND/OR INDICATED: DIMENSIONS ARE TO FACE OF VIEW SHOWN AND AUTOMATICALLY ROUNDED BY COMPUTER FOR INSPECTION. (SEE MATH MODEL FOR PRECISE DIMENSIONS.) FOR ALL OTHER DIMENSIONS NOT SHOWN BUT REQUIRED FOR TOOL BUILD, SEE MATH MODEL FOR PRECISE TOOL PATH DATA.
- MATING COMPONENTS OR EQUIVALENT: CONNECTOR 15366038
- THIS PART IS NOT CONTROLLED FOR AUTOMATIC FEEDING.

2 PROCESS SENSITIVE DIMENSION	
DIMENSIONS ENCLOSED IN () INDICATE REFERENCE DIMENSIONS AND NO TOLERANCE LIMITS ARE ESTABLISHED	
DIMENSIONAL RANGE (MM)	CHART E
FROM 0 TO 20	> 30
TO 20	> 70
	> 100
TOLERANCE UNLESS OTHERWISE SPECIFIED	
±0.15	±0.2
±0.3	±0.4
±0.5	
ANGULAR TOLERANCE ±2°	

DWG TYPE		PART DRAWING	
STYLE			
VOLUME (CM ³)	0.291	DISTR CODE	
ROUTING	6900	D	
UNLESS OTHERWISE SPECIFIED			
THIS DOCUMENT IS IN ACCORDANCE WITH ASME Y14.5M-1994 AS AMENDED BY THE GM GLOBAL DIMENSIONING AND TOLERANCING ADDENDUM-2001. SEPARATE PATTERNS OF FEATURES MAY BE GAGED SEPARATELY REGARDLESS OF DATUM REFERENCES.			
ALL DIMENSIONS ARE IN MILLIMETERS			
REFERENCE			
THIRD ANGLE PROJECTION	DO NOT SCALE	UNIGRAPHICS	
USE MATH DATA			

DELPHI			
DELPHI PACKARD ELECTRIC SYSTEMS WARREN, OH			
DR TOM NADASKY		DATE 26SE99	
APVD1 TOM NADASKY		26SE99	
APVD2 TOM NADASKY		26SE99	
APVD3 DAN MCNALLY		26SE99	
APVD4			
APVD5			
SUBSTANCES OF CONCERN AND RECYCLED CONTENT PER DELPHI 10949001			
MATERIAL M4695002 PLAS PBT BLK			
DRAWING NAME LOCK TPA GT 150 3 BLK			
DRAWING NUMBER 15373418			
SIZE A1	SCALE 5:1	FRAME NO 1 OF 1	SHEET NO 1 OF 1
STG R	REV 06	N/P AB	