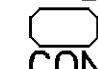
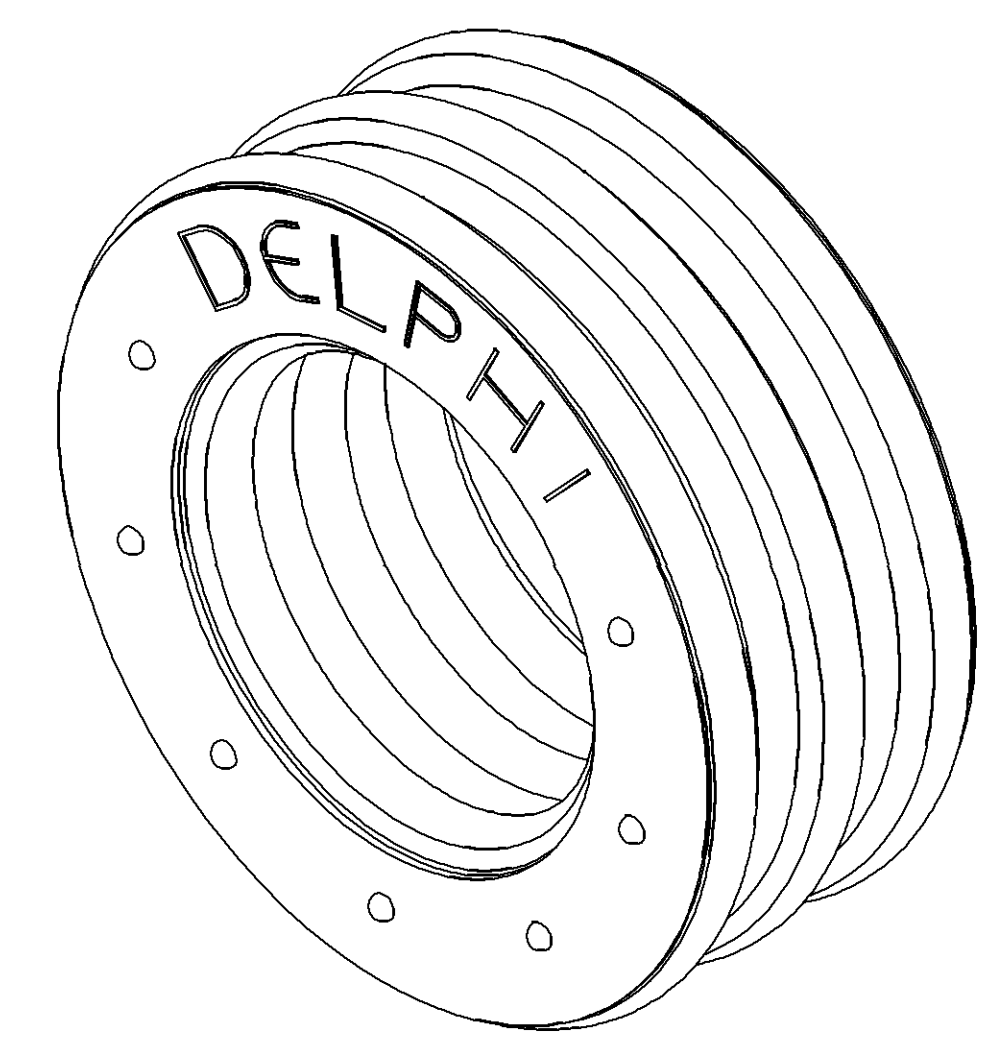
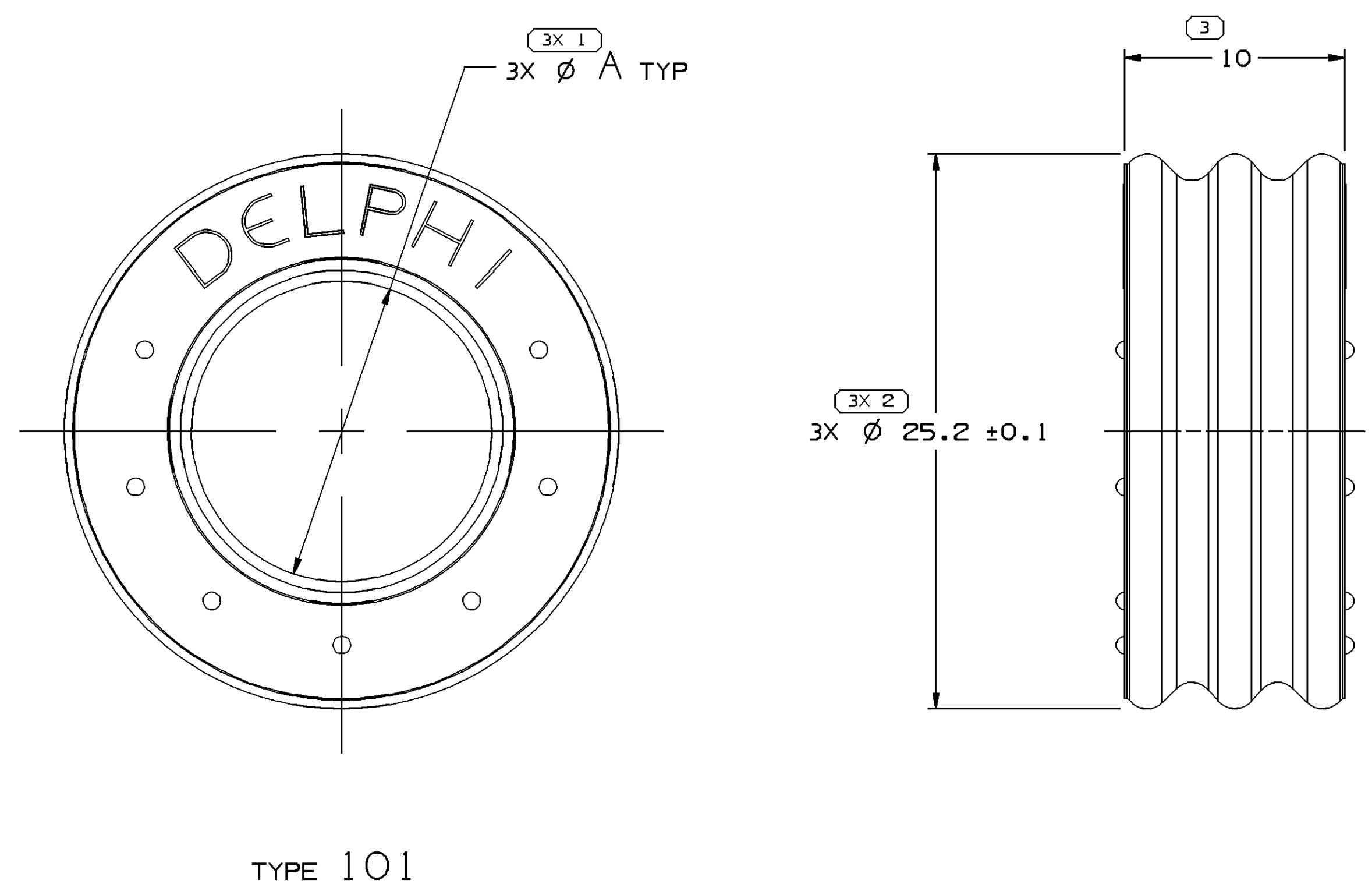
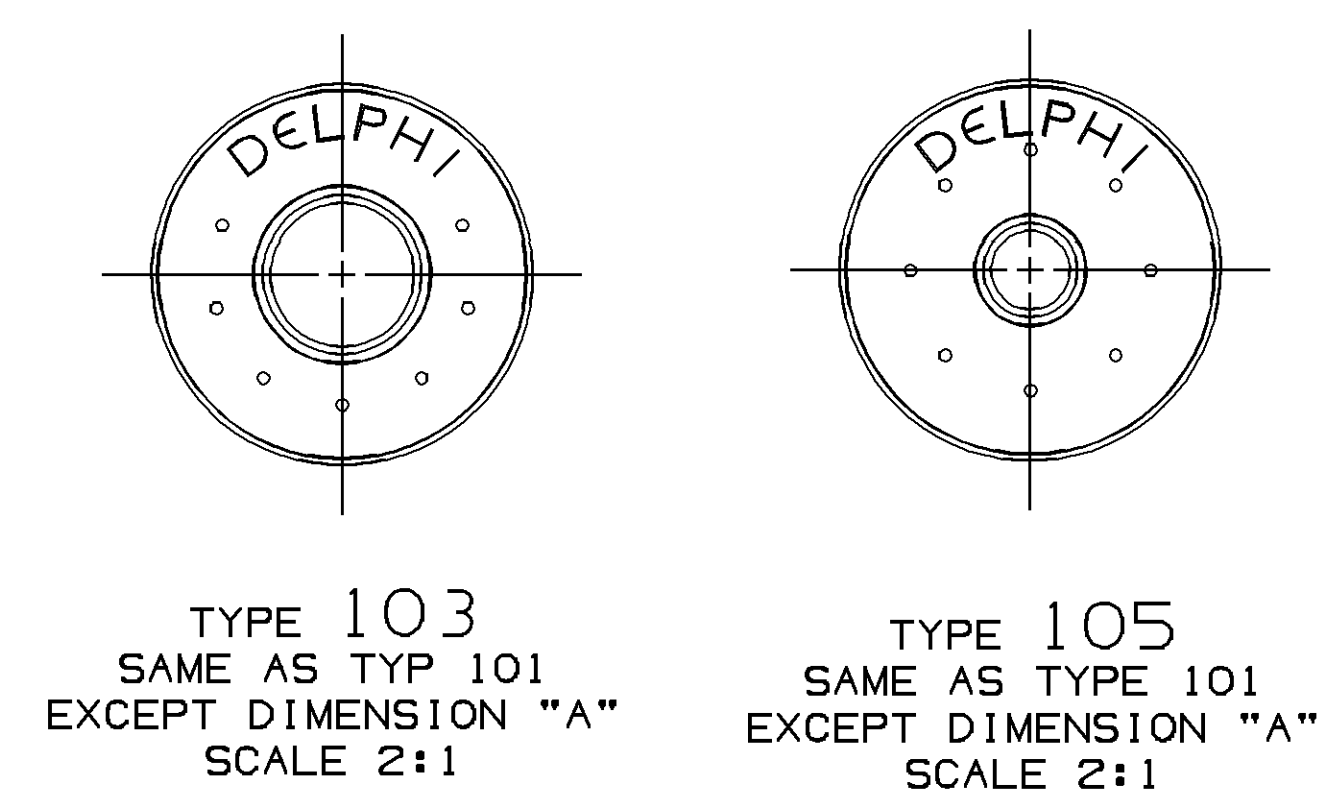
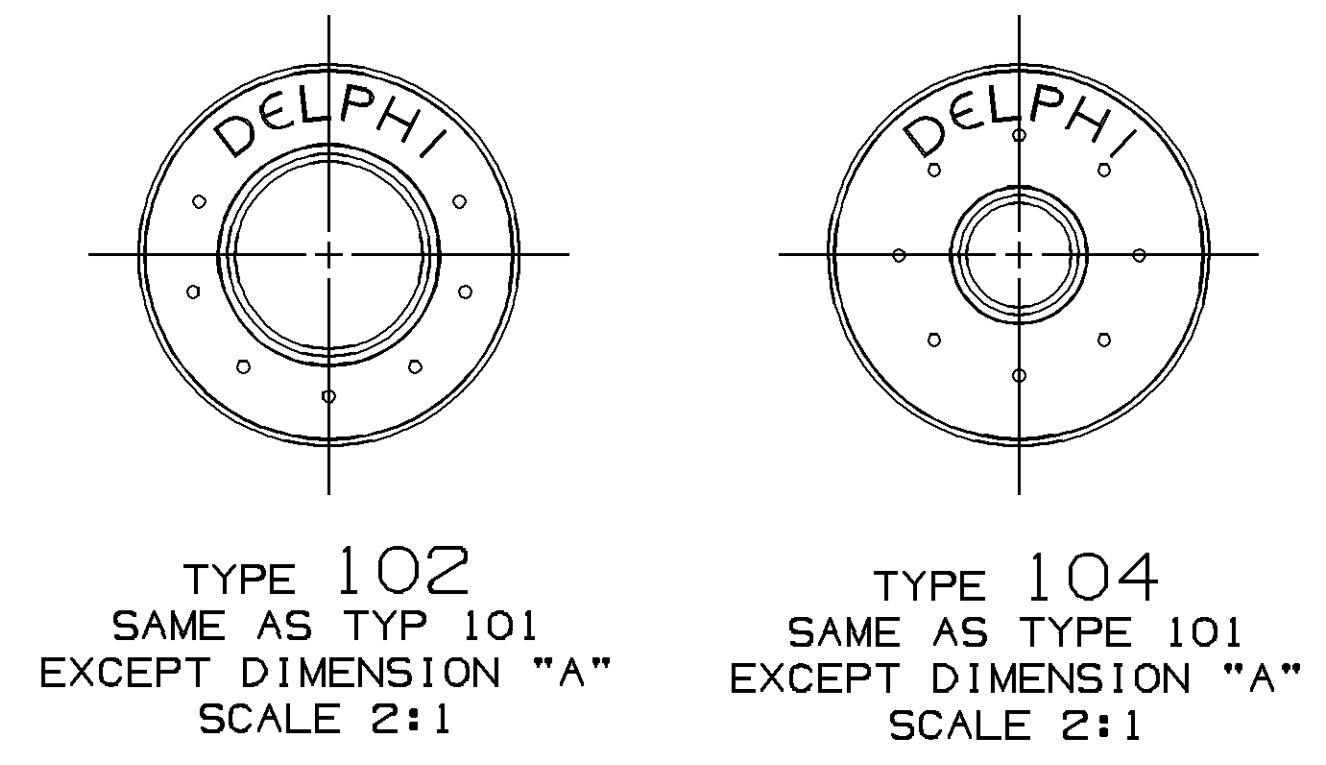


SYMBOL DEFINITION		MISSING SYMBOLS	
A DIMENSION WITHOUT AN INSPECTION REPORT SYMBOL  DOES NOT REQUIRE INSPECTION. IT MAY BE CONTROLLED ON THE INDIVIDUAL COMPONENT DRAWING.	TOTAL NO OF INSPECTIONS REQUIRED	NO MISSING SYMBOL NUMBER	
	7		
	LAST NO. USED		
	3		

DWG STATUS					REVISION HISTORY				AUTH	DR	APVD1	APVD2
DATE	STG	REV	N/P	CHG	ZONE							
240C01	R	01	-	-	ALL PARTS - RELEASED				216094	EVV	EVV	MW
03N001	R	02	-	-	15411419 - DIM "A" WAS 13.5				218035	JAA	JAA	MW
12AP06	R	03	-	-	ALL PARTS - UPDATED MATERIAL SPEC AND ADDED 13582356				279296	MM	MM	RF



- NOTES
- UNLESS OTHERWISE SPECIFIED AND/OR INDICATED:  
DIMENSIONS ARE TO FACE OF VIEW SHOWN AND AUTOMATICALLY ROUNDED BY COMPUTER FOR INSPECTION (SEE MATH MODEL FOR PRECISE DIMENSIONS). FOR ALL OTHER DIMENSIONS NOT SHOWN BUT REQUIRED FOR TOOL BUILD, SEE MATH MODEL FOR PRECISE TOOL PATH DATA.
  - PARTS MUST BE MADE FROM VIRGIN MATERIAL ONLY.

PART NO	REV	N/P	STATUS	TYPE	MATERIAL SPECIFICATION AND COLOR	VOLUME CM <sup>3</sup>	CABLE SIZE MM <sup>2</sup>	CABLE O.D.	CAVITY I.D., A ± 0.1
13582356	01	-	-	105	M4361007 50 DURO, SELF-BLEED SIL, LOW OIL GRN	4.283	13	6.76 ± 0.13	24 MM 5.23
15411422	01	AA	-	104	M4361009 50 DURO, SELF-BLEED SIL, LOW OIL PPL	4.097	19	8.43 ± 0.26	24 MM 6.9
15411421	01	AA	-	103	M4361012 50 DURO, SELF-BLEED SIL, LOW OIL GRA LT	3.719	32	10.75 ± 0.41	24 MM 9.5
15411420	01	AA	-	102	M4361011 50 DURO, SELF-BLEED SIL, LOW OIL WHT	3.173	50	13.61 ± 0.41	24 MM 12.4
15411419	02	AA	-	101	M4361008 50 DURO, SELF-BLEED SIL, LOW OIL BLU	2.883	62	14.71 ± 0.41	24 MM 13.65

DIMENSIONAL RANGE (MM)		CHART ET	
FROM	TO	>	>
> 0	> 20	> 30	> 70
> 20	> 30	> 70	> 100
> 30	> 70	> 100	> 150
> 70	> 100	> 150	> 200
> 100	> 150	> 200	> 250
> 150	> 200	> 250	> 300
> 200	> 250	> 300	> 400

TOLERANCE UNLESS OTHERWISE SPECIFIED

±0.15	±0.2	±0.3	±0.4	±0.5	±0.6	±0.8	±1	±1.2
-------	------	------	------	------	------	------	----	------

ANGULAR TOLERANCE ±2°

DWG TYPE: PART DRAWING

STYLE: [ ]

VOLUME (CM<sup>3</sup>): [ ] DISTR CODE: [ ]

UNLESS OTHERWISE SPECIFIED

THIS DOCUMENT IS IN ACCORDANCE WITH ASME Y14.5M-1994 AS AMENDED BY THE 2001 GLOBAL DIMENSIONING AND TOLERANCING ADDENDUM-2001. SEPARATE PATTERNS OF FEATURES MAY BE DATED SEPARATELY REGARDLESS OF DATUM REFERENCES.

ALL DIMENSIONS ARE IN MILLIMETERS

REFERENCE: [ ]

THIRD ANGLE PROJECTION

DO NOT SCALE USE MATH DATA

UNIGRAPHICS

**DELPHI**

DELPHI PACKARD ELECTRIC SYSTEMS  
WARREN, OH

DR	DATE
APVD1 ELIAS VAZQUEZ V.	240C01
APVD2 ELIAS VAZQUEZ V.	240C01
APVD3 MICHAEL WOLCZAK	310C01
APVD4	
APVD5	

SUBSTANCES OF CONCERN AND RECYCLED CONTENT PER DELPHI 10949001

MATERIAL SEE CHART

DRAWING NAME: TAXI SEAL CBL OW PWR PACK

DRAWING NUMBER: 15411418

SIZE	SCALE	FRAME NO	SHEET NO	STG	REV	N/P
A1	5:1	1 OF 1	1 OF 1	R	03	-