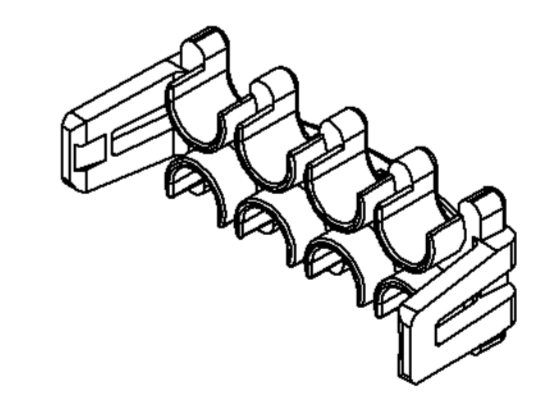
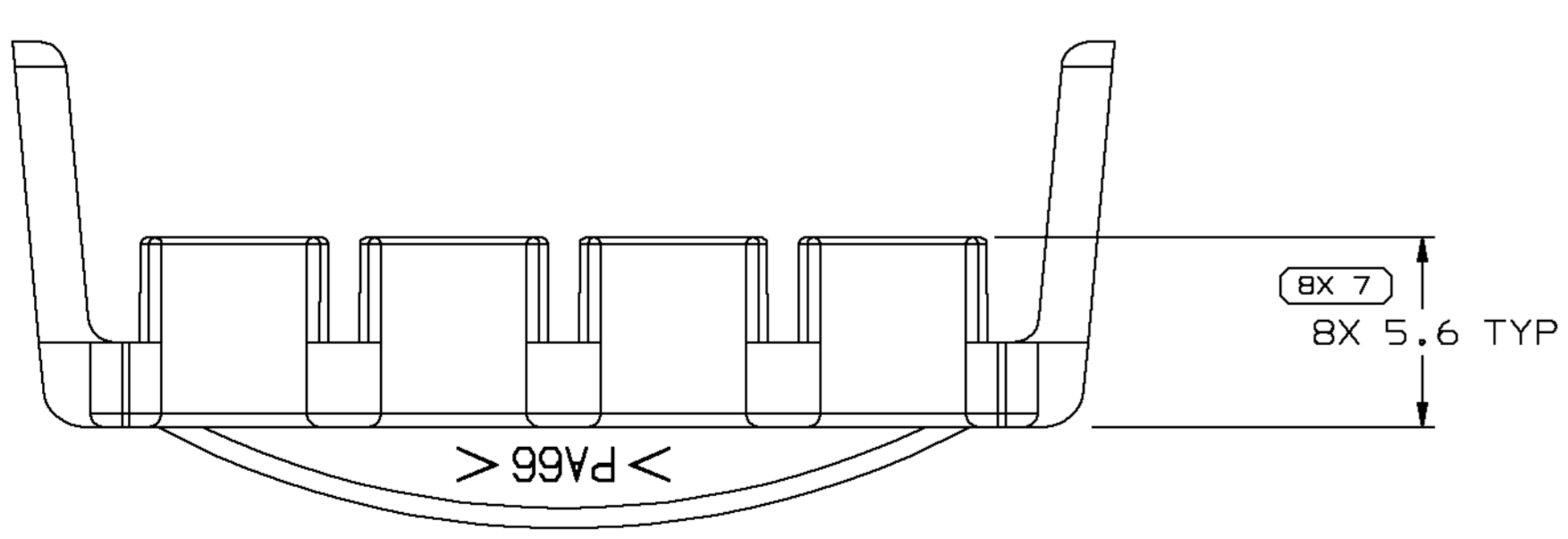
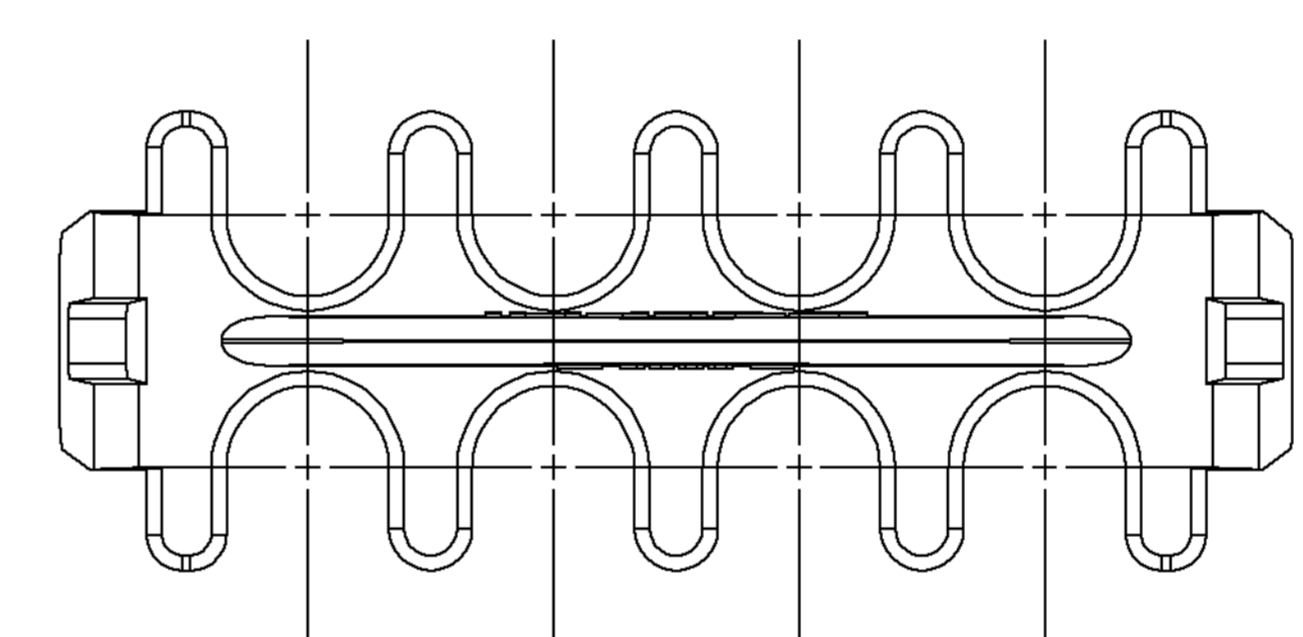
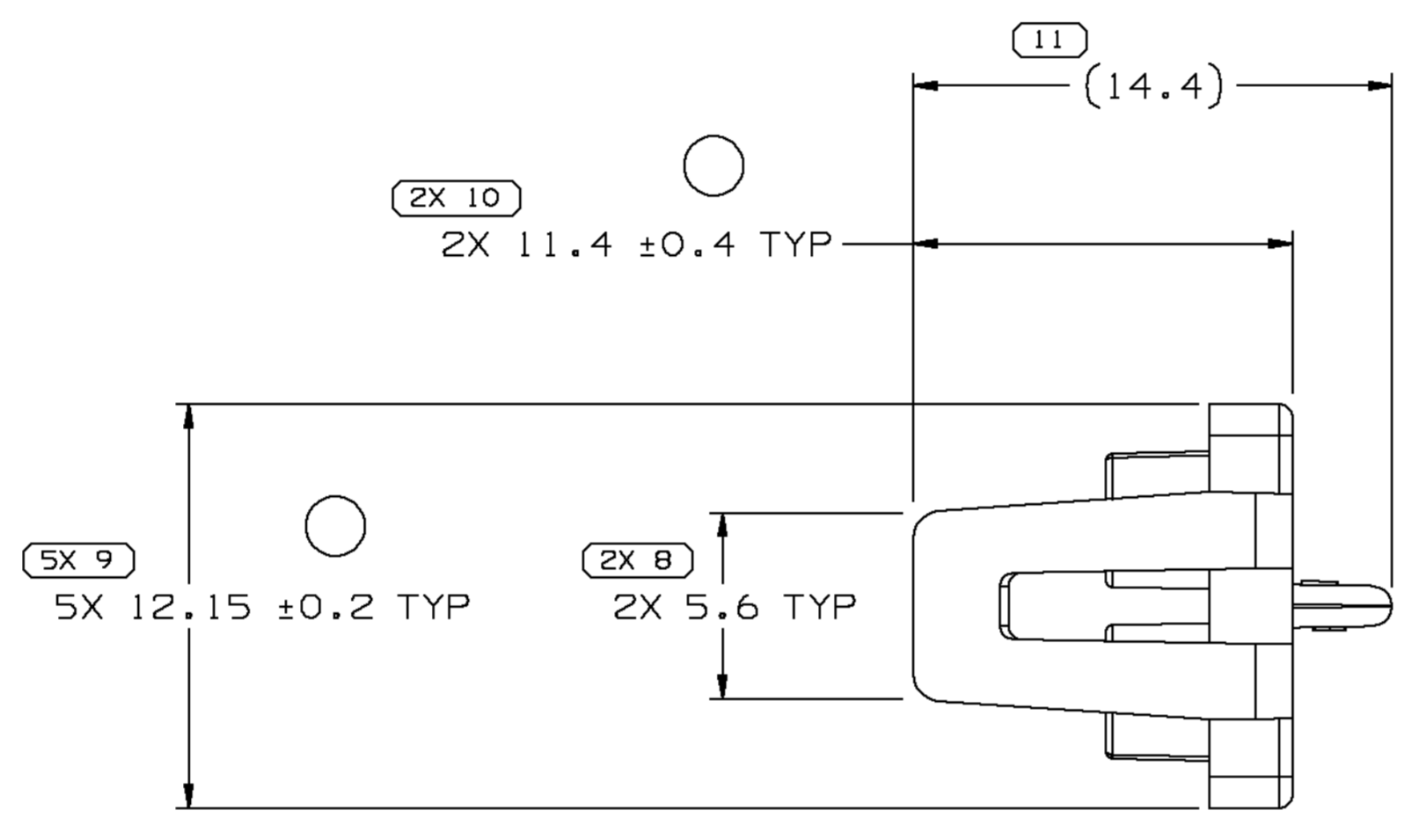
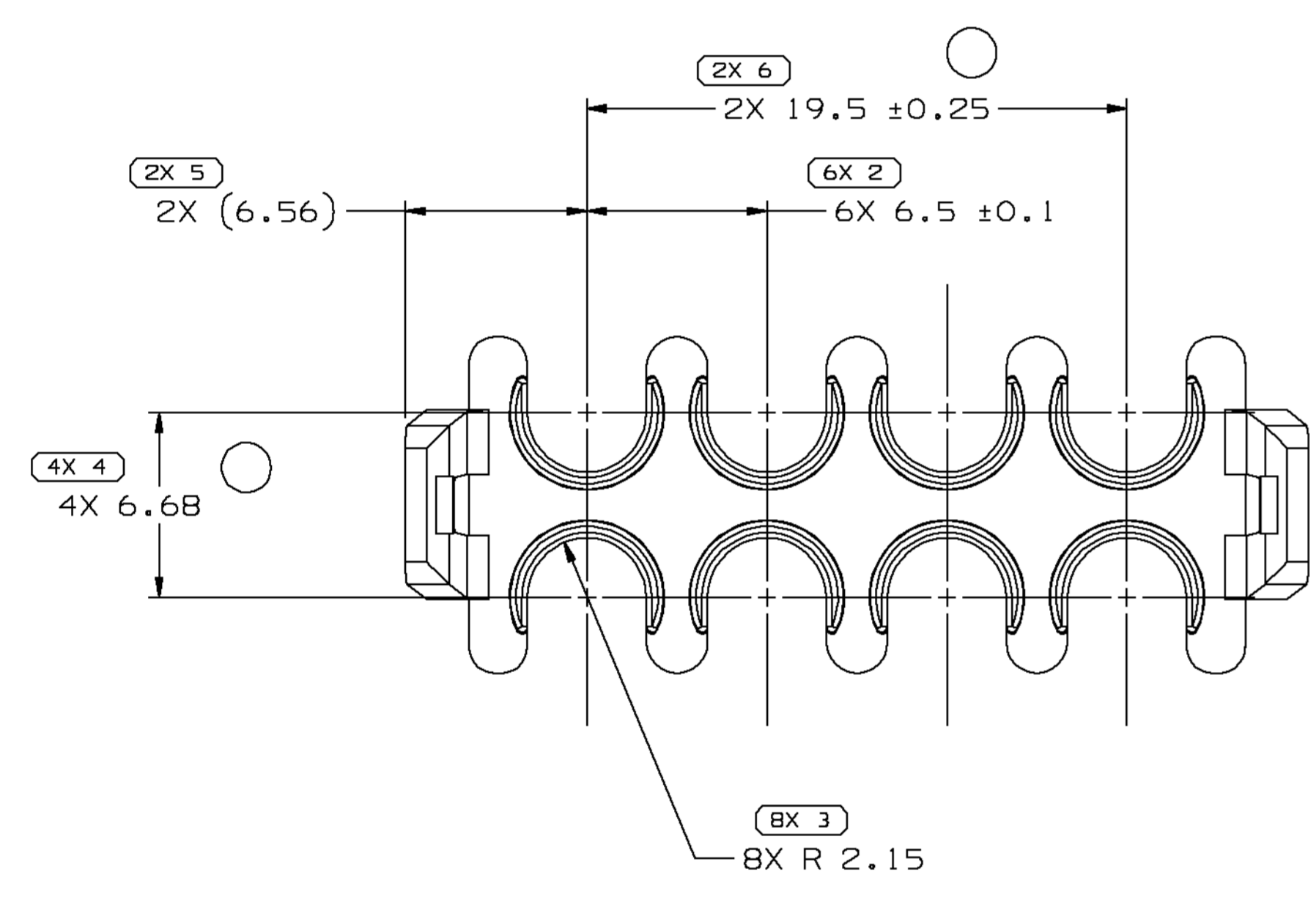
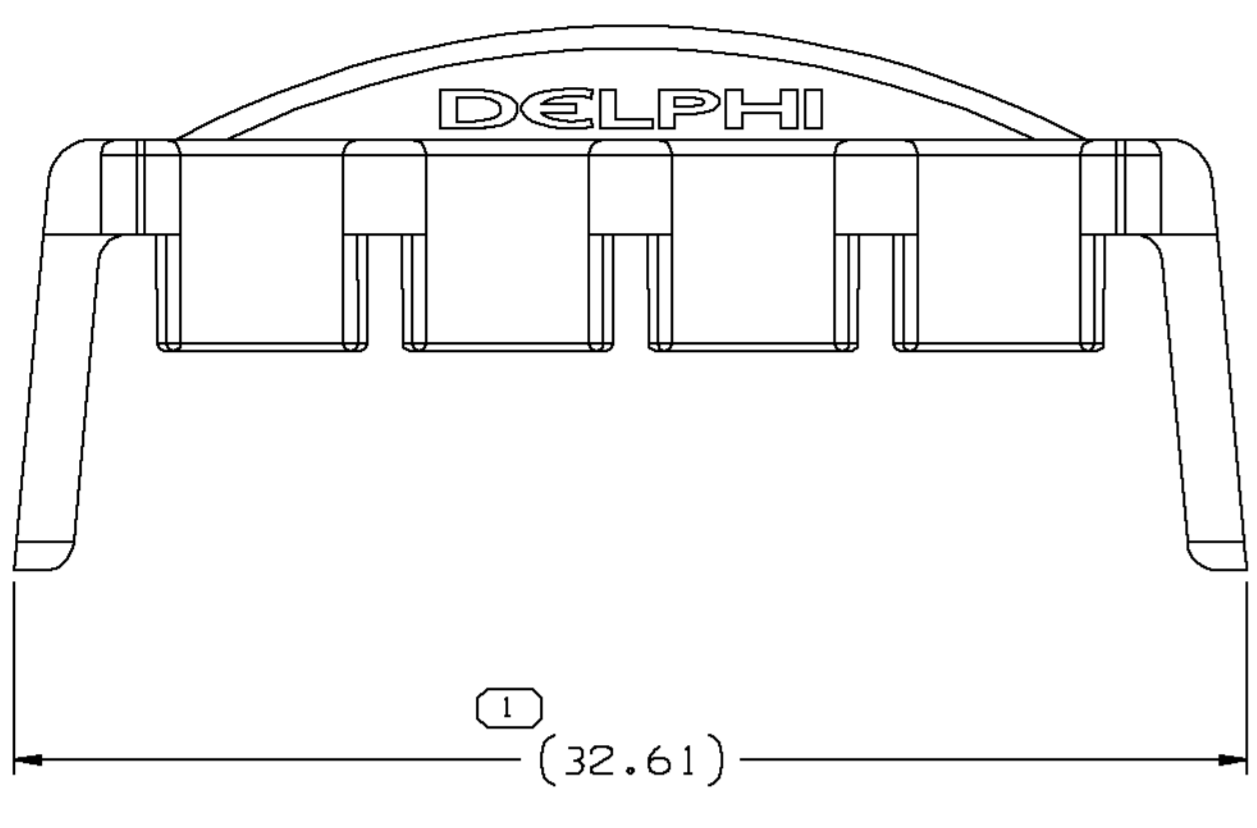


SYMBOL DEFINITION		MISSING SYMBOLS	
A DIMENSION WITHOUT AN INSPECTION REPORT SYMBOL DOES NOT REQUIRE INSPECTION. IT MAY BE CONTROLLED ON THE INDIVIDUAL COMPONENT DRAWING.	TOTAL NO OF INSPECTIONS REQUIRED	NO MISSING SYMBOL NUMBER	
	41		
	LAST NO. USED		
	11		

DWG STATUS				REVISION HISTORY				AUTH	DR	APVD	APVD
DATE	STG	REV	W/P	CHG	ZONE	Cleared Rev Col & Revised Tolerances - SPLCS		224660	CJC	CJC	JM
26AP02	R	01	AA	-							



VIEW SCALE DOES NOT REFLECT ACTUAL PART SIZE

- NOTES
- UNLESS OTHERWISE SPECIFIED AND/OR INDICATED: DIMENSIONS ARE TO FACE OF VIEW SHOWN AND AUTOMATICALLY ROUNDED BY COMPUTER FOR INSPECTION (SEE MATH MODEL FOR PRECISE DIMENSIONS). FOR ALL OTHER DIMENSIONS NOT SHOWN BUT REQUIRED FOR TOOL BUILD, SEE MATH MODEL FOR PRECISE TOOL PATH DATA.
 - MATING COMPONENTS OR EQUIVALENT: 15326654 & 15326655
 - THIS PART IS NOT CONTROLLED FOR AUTOMATIC FEEDING.
 - MATERIAL RECYCLING CODE >PA66< PER SAE J1344. (1)(X)(0.1) RAISED CHARACTERS AS SHOWN TO BE LOCATED ON ANY EXTERIOR SURFACE. OPTIONAL CONSTRUCTION TO BE NO MATERIAL RECYCLING CODE.
 - (1)(X)(0.1) RAISED DELPHI CORPORATE BRAND TO BE LOCATED ON ANY EXTERIOR SURFACE, PREFERABLY VISIBLE AT FINAL ASSEMBLY. OPTIONAL CONSTRUCTION TO BE "PED" OR NO LOGO.

	<table border="1"> <tr> <th colspan="2">DIMENSIONAL RANGE (MM)</th> <th colspan="2">CHART ET</th> </tr> <tr> <td>FROM</td> <td>TO</td> <td>0</td> <td>400</td> </tr> <tr> <td>> 0</td> <td>> 20</td> <td>> 30</td> <td>> 70</td> </tr> <tr> <td>> 20</td> <td>> 30</td> <td>> 70</td> <td>> 100</td> </tr> <tr> <td>> 30</td> <td>> 70</td> <td>> 100</td> <td>> 150</td> </tr> <tr> <td>> 70</td> <td>> 100</td> <td>> 150</td> <td>> 200</td> </tr> <tr> <td>> 100</td> <td>> 150</td> <td>> 200</td> <td>> 250</td> </tr> <tr> <td>> 150</td> <td>> 200</td> <td>> 250</td> <td>> 300</td> </tr> <tr> <td>> 200</td> <td>> 250</td> <td>> 300</td> <td>> 400</td> </tr> </table>	DIMENSIONAL RANGE (MM)		CHART ET		FROM	TO	0	400	> 0	> 20	> 30	> 70	> 20	> 30	> 70	> 100	> 30	> 70	> 100	> 150	> 70	> 100	> 150	> 200	> 100	> 150	> 200	> 250	> 150	> 200	> 250	> 300	> 200	> 250	> 300	> 400	<table border="1"> <tr> <td>7</td> <td>PROCESS SENSITIVE DIMENSION</td> </tr> <tr> <td colspan="2">DIMENSIONS ENCLOSED IN () INDICATE REFERENCE, DIMENSIONS AND NO TOLERANCE LIMITS ARE ESTABLISHED</td> </tr> </table>	7	PROCESS SENSITIVE DIMENSION	DIMENSIONS ENCLOSED IN () INDICATE REFERENCE, DIMENSIONS AND NO TOLERANCE LIMITS ARE ESTABLISHED		<table border="1"> <tr> <td>THIRD ANGLE PROJECTION</td> <td>DO NOT SCALE</td> </tr> <tr> <td>USE MATH DATA</td> <td>UNIGRAPHICS</td> </tr> </table>	THIRD ANGLE PROJECTION	DO NOT SCALE	USE MATH DATA	UNIGRAPHICS
	DIMENSIONAL RANGE (MM)		CHART ET																																												
FROM	TO	0	400																																												
> 0	> 20	> 30	> 70																																												
> 20	> 30	> 70	> 100																																												
> 30	> 70	> 100	> 150																																												
> 70	> 100	> 150	> 200																																												
> 100	> 150	> 200	> 250																																												
> 150	> 200	> 250	> 300																																												
> 200	> 250	> 300	> 400																																												
7	PROCESS SENSITIVE DIMENSION																																														
DIMENSIONS ENCLOSED IN () INDICATE REFERENCE, DIMENSIONS AND NO TOLERANCE LIMITS ARE ESTABLISHED																																															
THIRD ANGLE PROJECTION	DO NOT SCALE																																														
USE MATH DATA	UNIGRAPHICS																																														
<table border="1"> <tr> <td>DATE</td> <td>26AP02</td> </tr> <tr> <td>REV</td> <td>R 01</td> </tr> <tr> <td>W/P</td> <td>AA</td> </tr> <tr> <td>CHG</td> <td>-</td> </tr> <tr> <td>ZONE</td> <td></td> </tr> </table>	DATE	26AP02	REV	R 01	W/P	AA	CHG	-	ZONE		<table border="1"> <tr> <td>DWG TYPE</td> <td>PART DRAWING</td> </tr> <tr> <td>STYLE</td> <td></td> </tr> <tr> <td>VOLUME (COP)</td> <td>Q, B24</td> </tr> <tr> <td>ROUTING</td> <td>6900</td> </tr> </table>	DWG TYPE	PART DRAWING	STYLE		VOLUME (COP)	Q, B24	ROUTING	6900	<table border="1"> <tr> <td>DR</td> <td></td> <td>DATE</td> <td></td> </tr> <tr> <td>APVD1</td> <td>LUIS ORDUNA A.</td> <td>06MR02</td> <td></td> </tr> <tr> <td>APVD2</td> <td>G. G. IZQUIERDO</td> <td>07MR02</td> <td></td> </tr> <tr> <td>APVD3</td> <td>JEFF MENDENHALL</td> <td>08MR02</td> <td></td> </tr> <tr> <td>APVD4</td> <td></td> <td></td> <td></td> </tr> <tr> <td>APVD5</td> <td></td> <td></td> <td></td> </tr> </table>	DR		DATE		APVD1	LUIS ORDUNA A.	06MR02		APVD2	G. G. IZQUIERDO	07MR02		APVD3	JEFF MENDENHALL	08MR02		APVD4				APVD5						
DATE	26AP02																																														
REV	R 01																																														
W/P	AA																																														
CHG	-																																														
ZONE																																															
DWG TYPE	PART DRAWING																																														
STYLE																																															
VOLUME (COP)	Q, B24																																														
ROUTING	6900																																														
DR		DATE																																													
APVD1	LUIS ORDUNA A.	06MR02																																													
APVD2	G. G. IZQUIERDO	07MR02																																													
APVD3	JEFF MENDENHALL	08MR02																																													
APVD4																																															
APVD5																																															

DELPHI
DELPHI PACKARD ELECTRIC SYSTEMS
WARREN, OH

DRAWING NAME: TPA 8F GT 280 SLD
DRAWING NUMBER: 15430896

SIZE: A0
SCALE: 5:1
FRAME NO: 1
SHEET NO: 1 OF 1
STG: R
REV: 01
W/P: AA