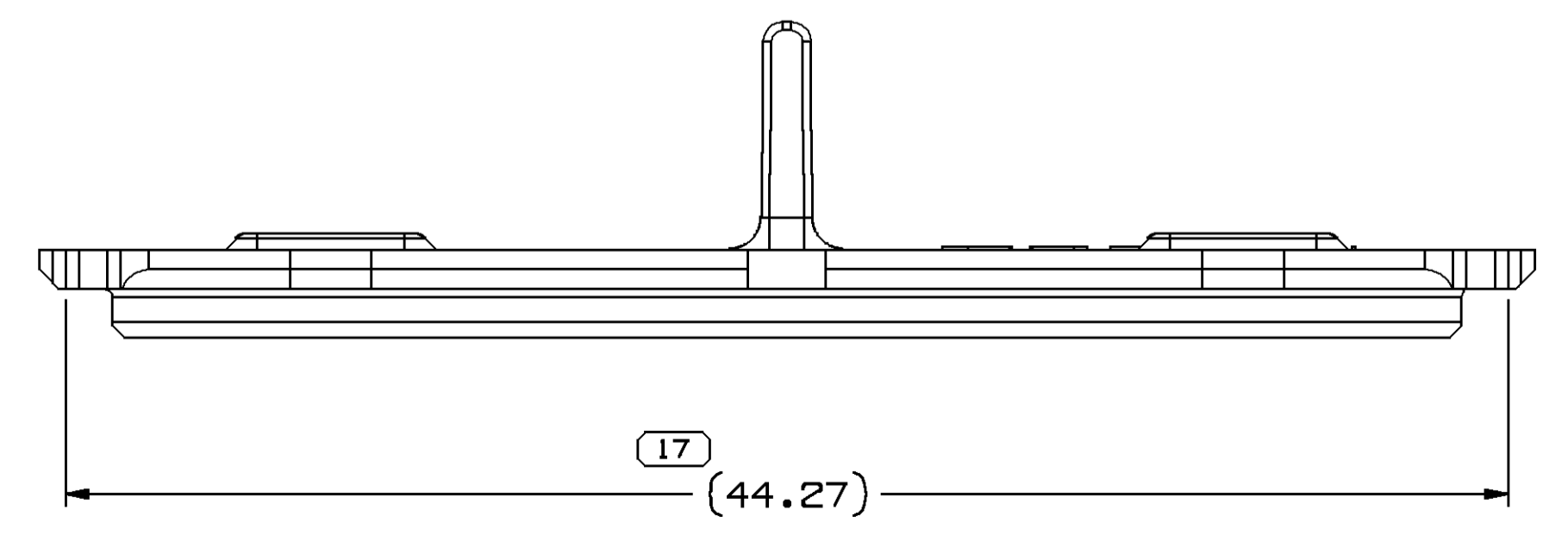
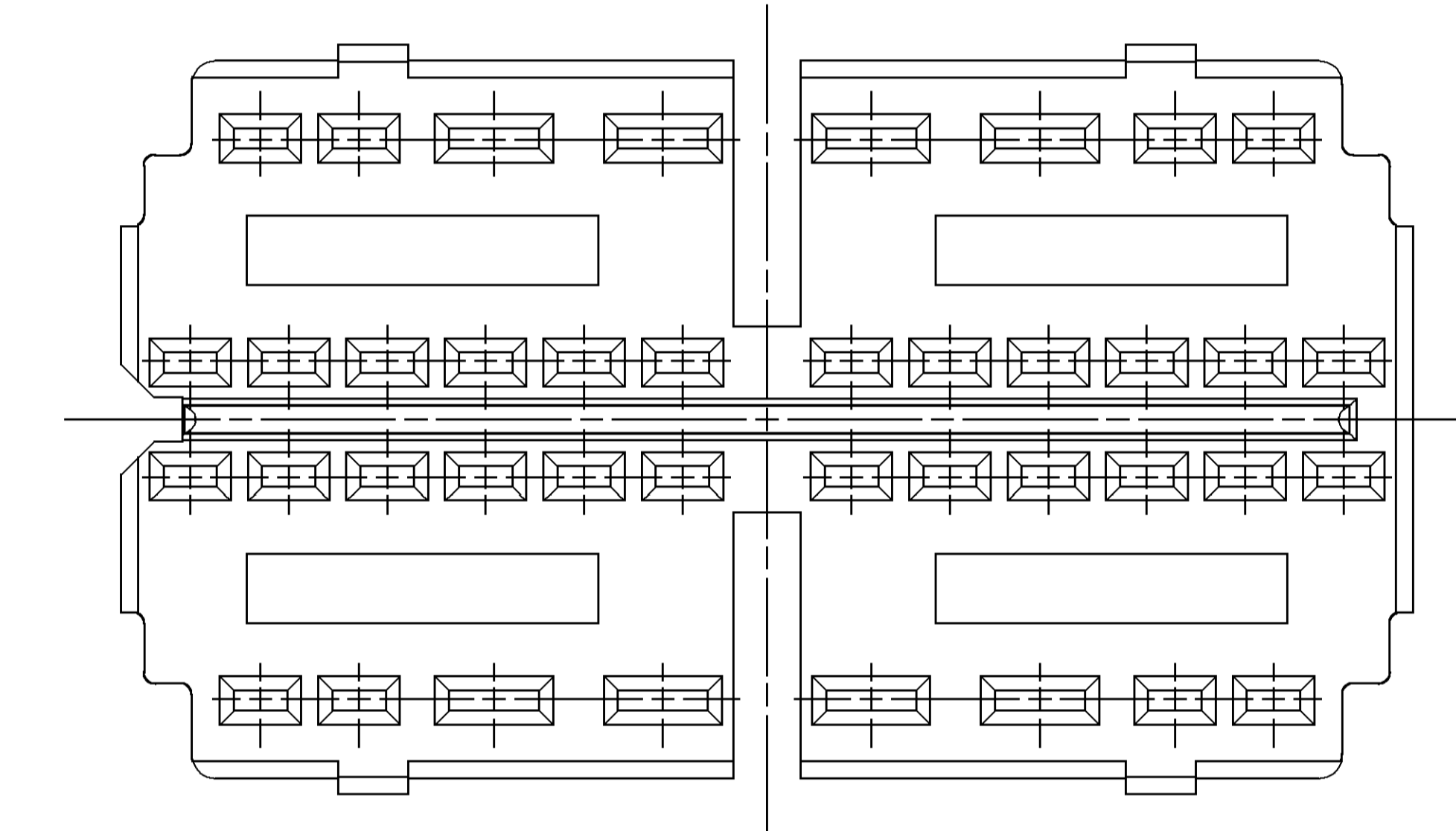
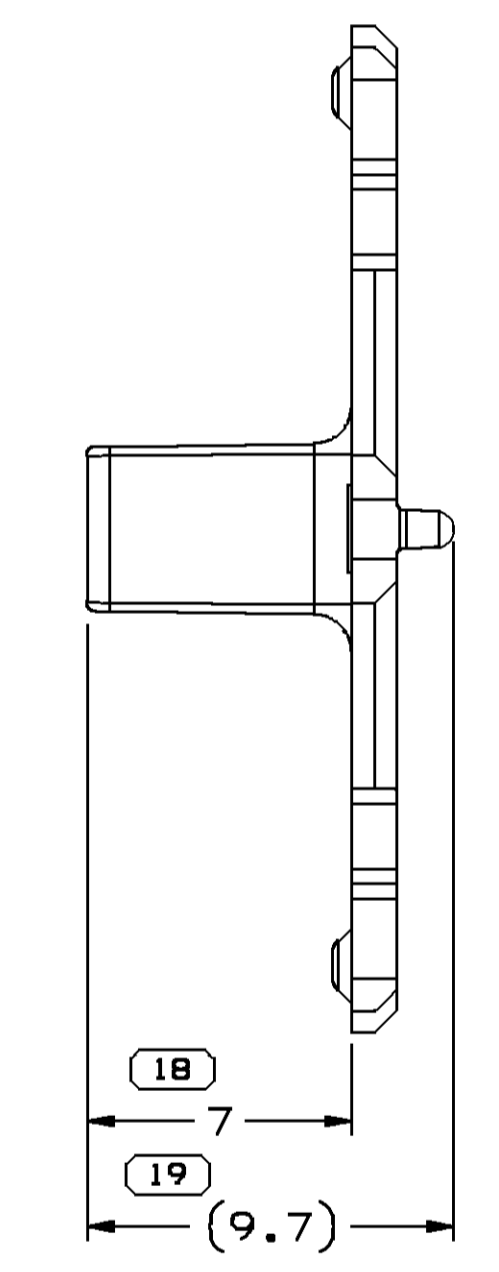
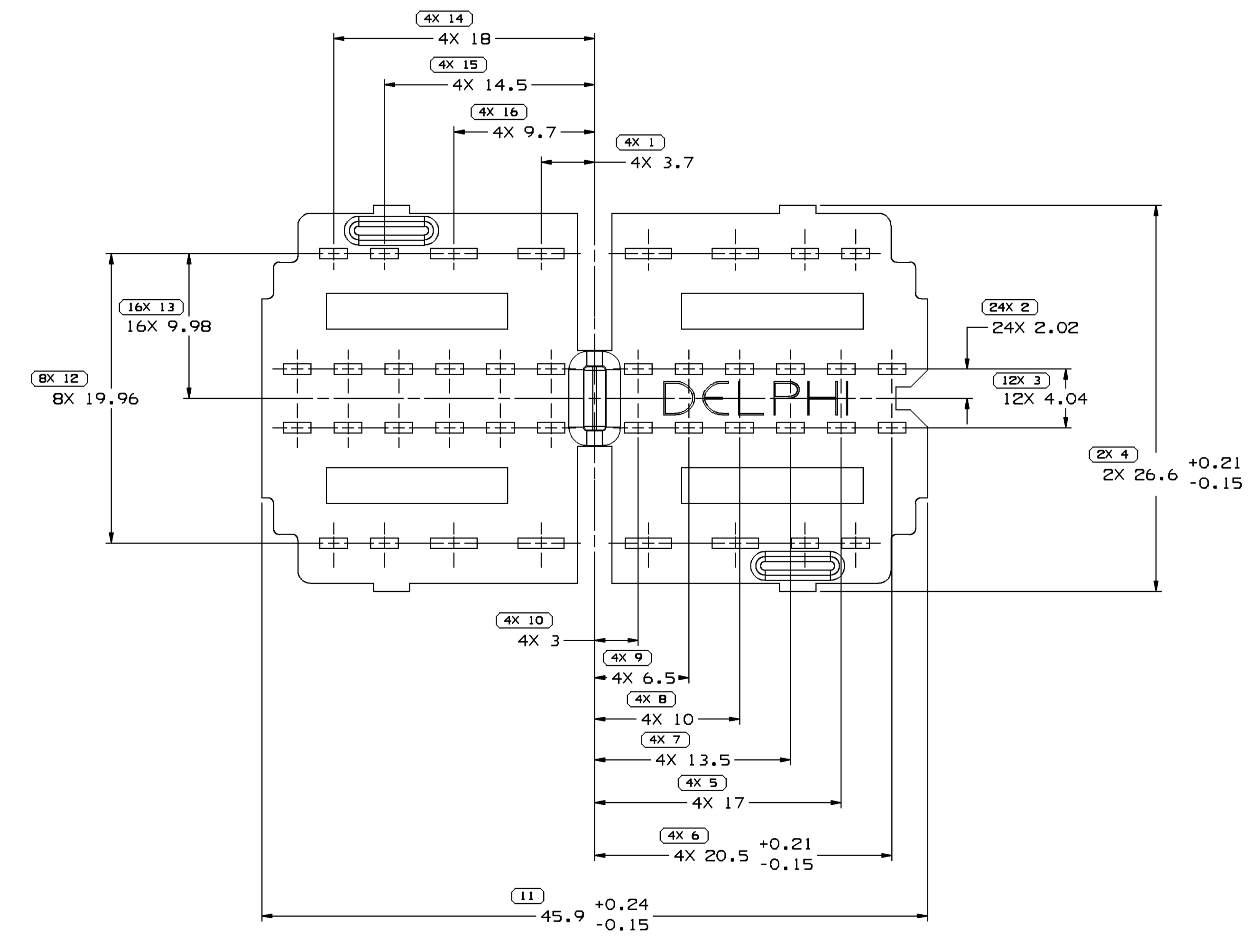
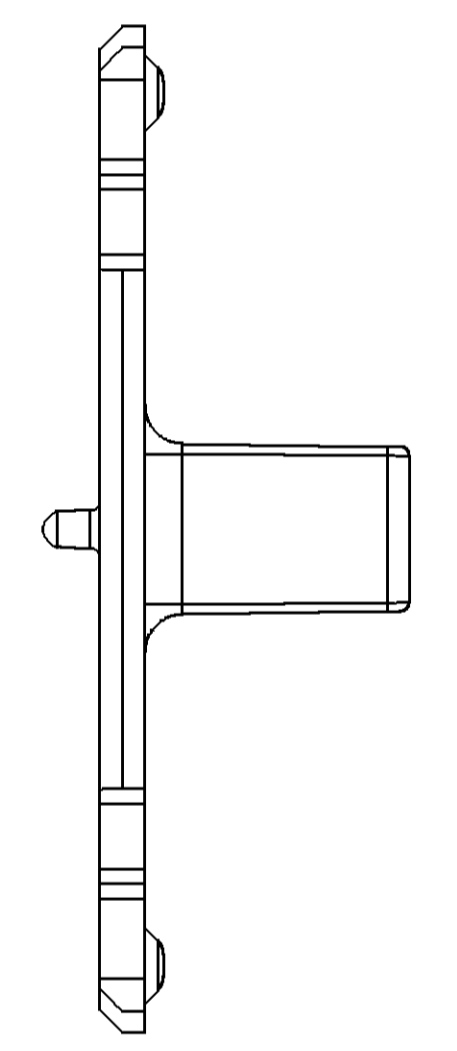
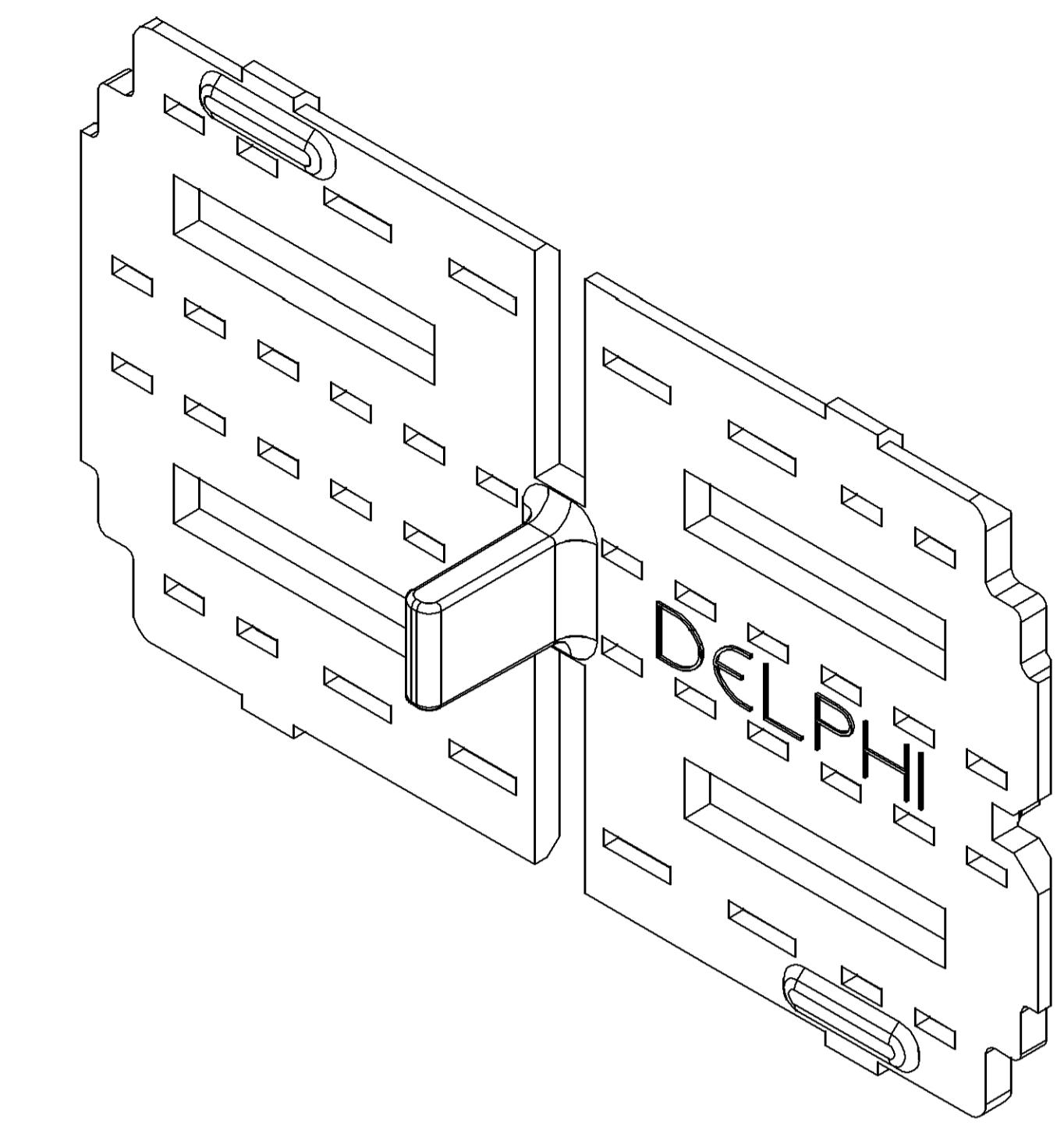
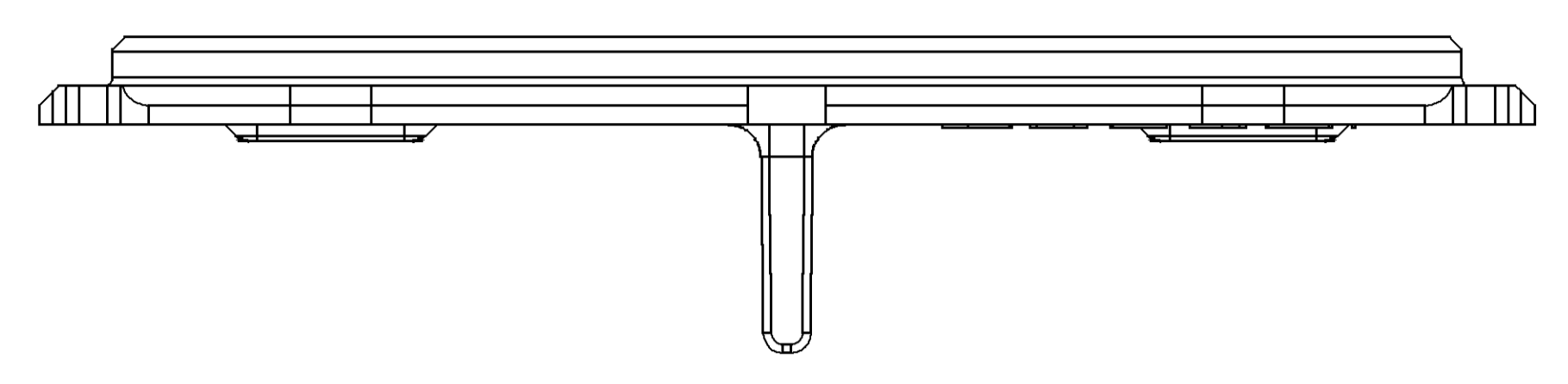


SYMBOL DEFINITION		TOTAL NO OF INSPECTIONS REQUIRED		MISSING SYMBOLS	
A	DIMENSION WITHOUT AN INSPECTION REPORT SYMBOL DOES NOT REQUIRE INSPECTION. IT MAY BE CONTROLLED ON THE INDIVIDUAL COMPONENT DRAWING.				
				106	
		LAST NO. USED		19	

DWG STATUS						REVISION HISTORY		AUTH		DR		APVD	
DATE	STG	REV	IN/P	CHG	ZONE								
26AU02	R	01	-	-		RELEASED		229871	CJC	CJC	LBW		
30SE02	R	01	AA	-		UPDATED DIMENSION QUANTITIES		231374	CJC	CJC	MP		
19AP04	R	01	AB	-		15475869 MATING CONNECTOR WAS 15359284		254148	TLD	TLD	MP		
21FE07	R	01	AC	-		2X 26.6 +0.21/-0.15 WAS 2X 26.6 ± 0.15 4X 20.5 +0.21/-0.15 WAS 4X 20.5 ± 0.15 AND 45.9 +0.24/-0.15 WAS 45.9 ± 0.15		400582	MM	MM	MP		
01JN09	R	01	AD	-		UPDATED MAT'L CALLOUT AND REMOVED RECYCLING CODE LOGO		408098	EFJ	JAA	DGL		
29NO12	R	01	AE	-		REVISION 01AD WAS 02 FOR AUTH NUMBER 408098; UPDATED MATERIAL SPEC		420599	CBG	CBG	DAB		



**NOTES**

- UNLESS OTHERWISE SPECIFIED AND/OR INDICATED:  
DIMENSIONS ARE TO FACE OF VIEW SHOWN AND AUTOMATICALLY ROUNDED BY COMPUTER FOR INSPECTION (SEE MATH MODEL FOR PRECISE DIMENSIONS). FOR ALL OTHER DIMENSIONS NOT SHOWN BUT REQUIRED FOR TOOL BUILD, SEE MATH MODEL FOR PRECISE TOOL PATH DATA.
- THIS PRODUCT IS NOT CATEGORIZED AS AN APPEARANCE ITEM, MINOR IMPERFECTIONS INCLUDING, BUT NOT LIMITED TO, FLOW MARKS, COLOR BLEMISHES, GATE VESTIGE, AND SOFT FLASH THAT DO NOT AFFECT THE FIT, FORM, OR FUNCTION OF THE PART ARE PERMISSIBLE PER DPNP-4.7-CS-01.
- THIS PART IS NOT CONTROLLED FOR AUTOMATIC FEEDING.
- REFERENCE MATING COMPONENTS OR EQUIVALENT:  
CONNECTOR 15475869
- (2.31X(0.1)) DELPHI CORPORATE BRAND TO BE LOCATED ON ANY EXTERIOR SURFACE, PREFERABLY VISIBLE AT FINAL ASSEMBLY. OPTIONAL CONSTRUCTION FOR EXISTING TOOLING MAY BE "PED" OR NO LOGO.
- SLOTS TO ACCEPT 6T MALE BLADES.

DIMENSIONAL RANGE (MM)		CHART E1	
FROM	TO	>	>
0	20	0.10	0.15
20	30	0.15	0.20
30	40	0.20	0.25
40	50	0.25	0.30
50	60	0.30	0.35
60	70	0.35	0.40
70	80	0.40	0.45
80	90	0.45	0.50
90	100	0.50	0.55
100	125	0.55	0.60
125	150	0.60	0.65
150	200	0.65	0.70
200	250	0.70	0.75
250	300	0.75	0.80
300	400	0.80	0.85
400	500	0.85	0.90
500	600	0.90	0.95
600	700	0.95	1.00
700	800	1.00	1.05
800	900	1.05	1.10
900	1000	1.10	1.15

THIS DRAWING IS THE PROPERTY OF DELPHI CORPORATION AND CONTAINS DELPHI CONFIDENTIAL INFORMATION. THE REPRODUCTION, DISTRIBUTION AND UTILIZATION OF THIS DOCUMENT OR ITS CONTENTS TO OTHERS, WITHOUT EXPRESS AUTHORIZATION, IS PROHIBITED.

**DELPHI**  
DELPHI PACKARD ELECTRICAL/ELECTRONIC ARCHITECTURE  
WARREN, OH  
COPYRIGHT 2002 DELPHI CORPORATION AND/OR ITS AFFILIATES. ALL RIGHTS RESERVED.

THIS DRAWING IS THE PROPERTY OF DELPHI CORPORATION AND CONTAINS DELPHI CONFIDENTIAL INFORMATION. THE REPRODUCTION, DISTRIBUTION AND UTILIZATION OF THIS DOCUMENT OR ITS CONTENTS TO OTHERS, WITHOUT EXPRESS AUTHORIZATION, IS PROHIBITED.

DATE: 26AU02  
DR: CRAIG J. COGGINS  
APVD: CRAIG J. COGGINS  
APVD3: LARRY B. WALTERS  
APVD4:

SUBSTANCES OF CONCERN AND RECYCLED CONTENT PER DELPHI (1944901)

MATERIAL: POLYAMIDE COMPOUND BLUE

DRAWING NUMBER: 15445756

SIZE: A0  
SCALE: 5:1  
FRAME NO: 1 OF 1  
SHEET NO: 1 OF 1  
STG: R  
IN/P: 01  
AE