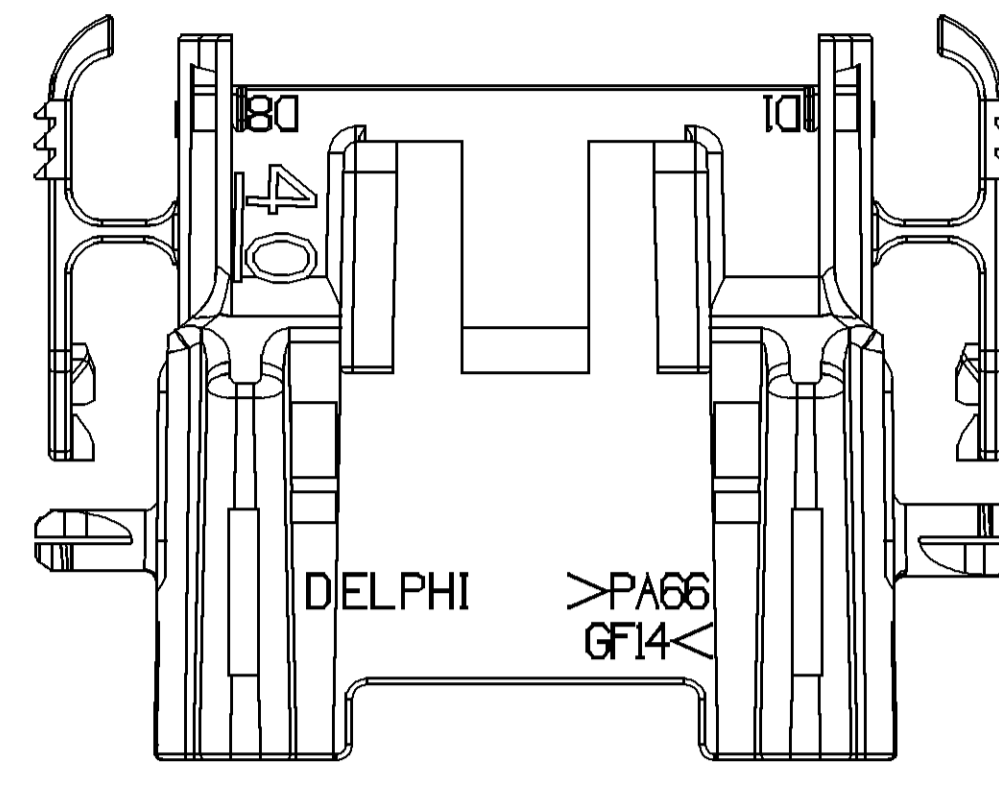
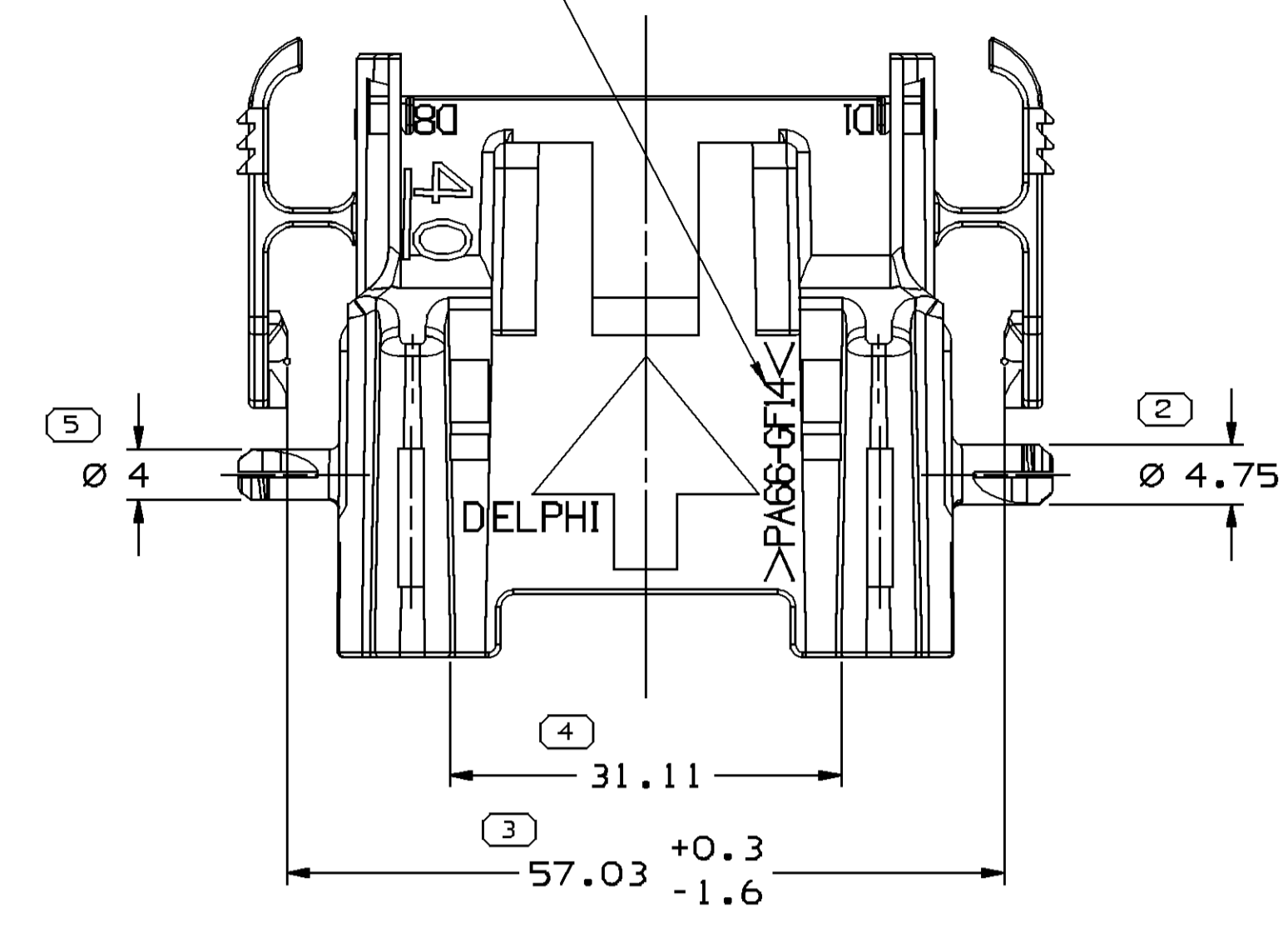


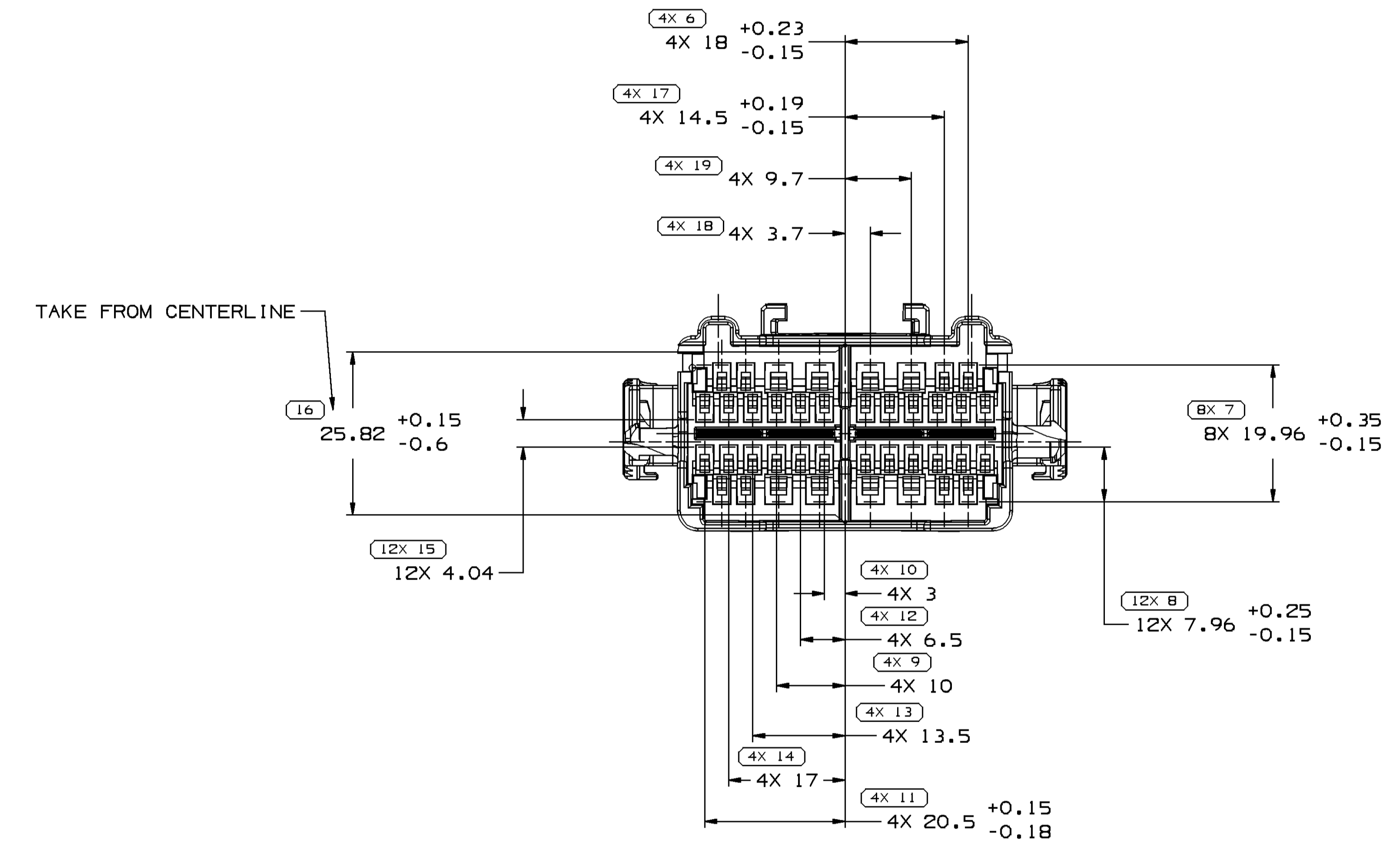
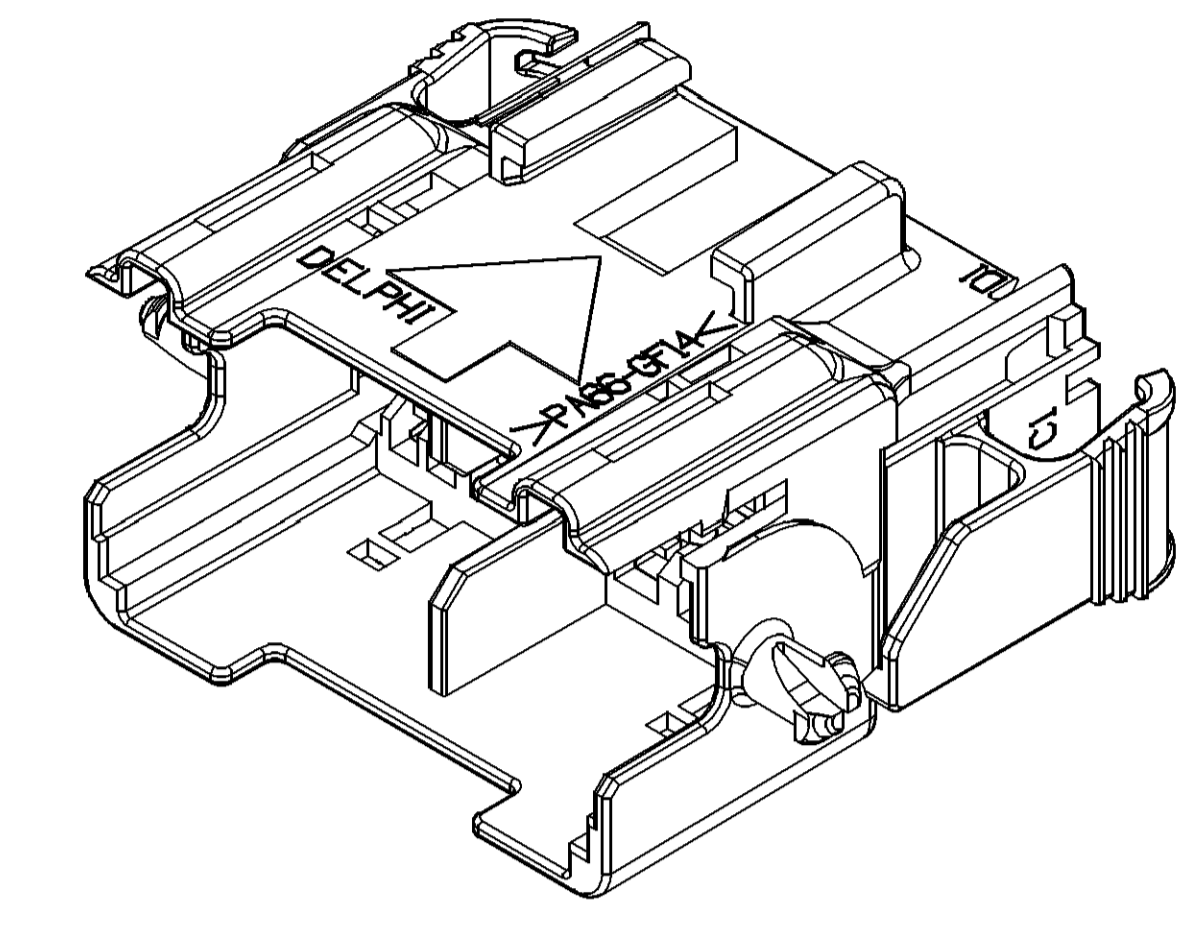
SYMBOL DEFINITION		MISSING SYMBOLS	
A DIMENSION WITHOUT AN INSPECTION REPORT SYMBOL DOES NOT REQUIRE INSPECTION. IT MAY BE CONTROLLED ON THE INDIVIDUAL COMPONENT DRAWING.	TOTAL NO OF INSPECTIONS REQUIRED	NO MISSING SYMBOL NUMBER	
	79		
	LAST NO. USED		
	20		

DATE	STG	REV	N/P	CHG	ZONE	REVISION HISTORY	AUTH	DR	AP/VD	AP/VD
28JUL03	R	01	-	-	-	RELEASED	243801	JAA	JAA	M/LP
26AUG03	R	02	-	-	-	REMOVED RADIUS FROM CLIP SLOT	245155	BRB	BRB	M/LP
25JUL05	R	02	AA	-	-	UPDATED PDM ATTRIBUTES	270351	MAC	MAC	M/LP
03AP07	R	02	AB	-	-	UPDATED PDM ATTRIBUTES	400955	RMG	FRG	JGS
01AUG08	R	02	AC	-	-	ADDED APPLICATION DATA NOTE, APPEARANCE ITEM NOTE & RECYCLING CODE LABEL AND REMOVED WAITING COMPONENTS NOTE, PART ACCEPTS NOTE & PRE-STAGE NOTE	405593	LVR	FKV	M/LP

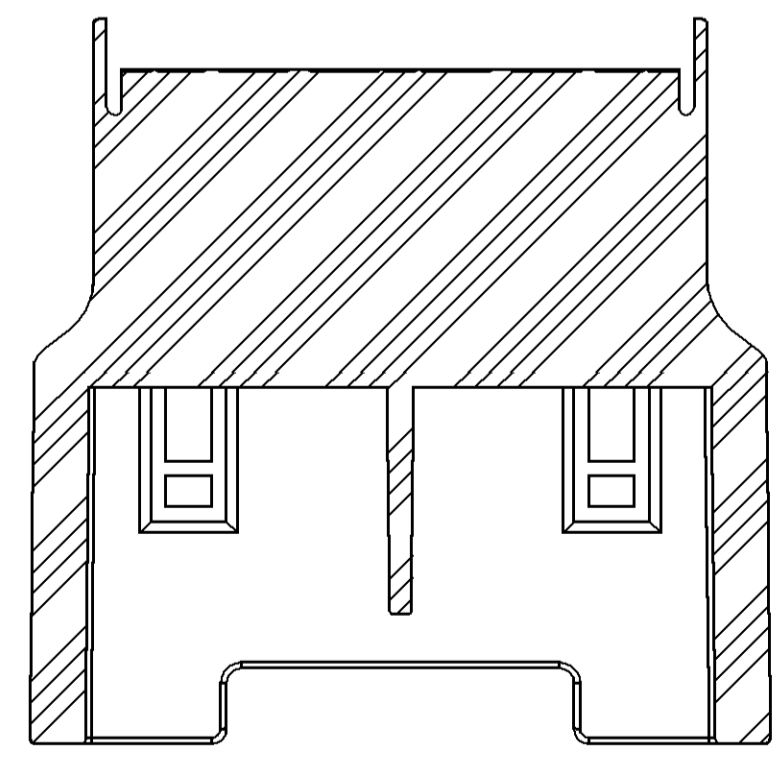
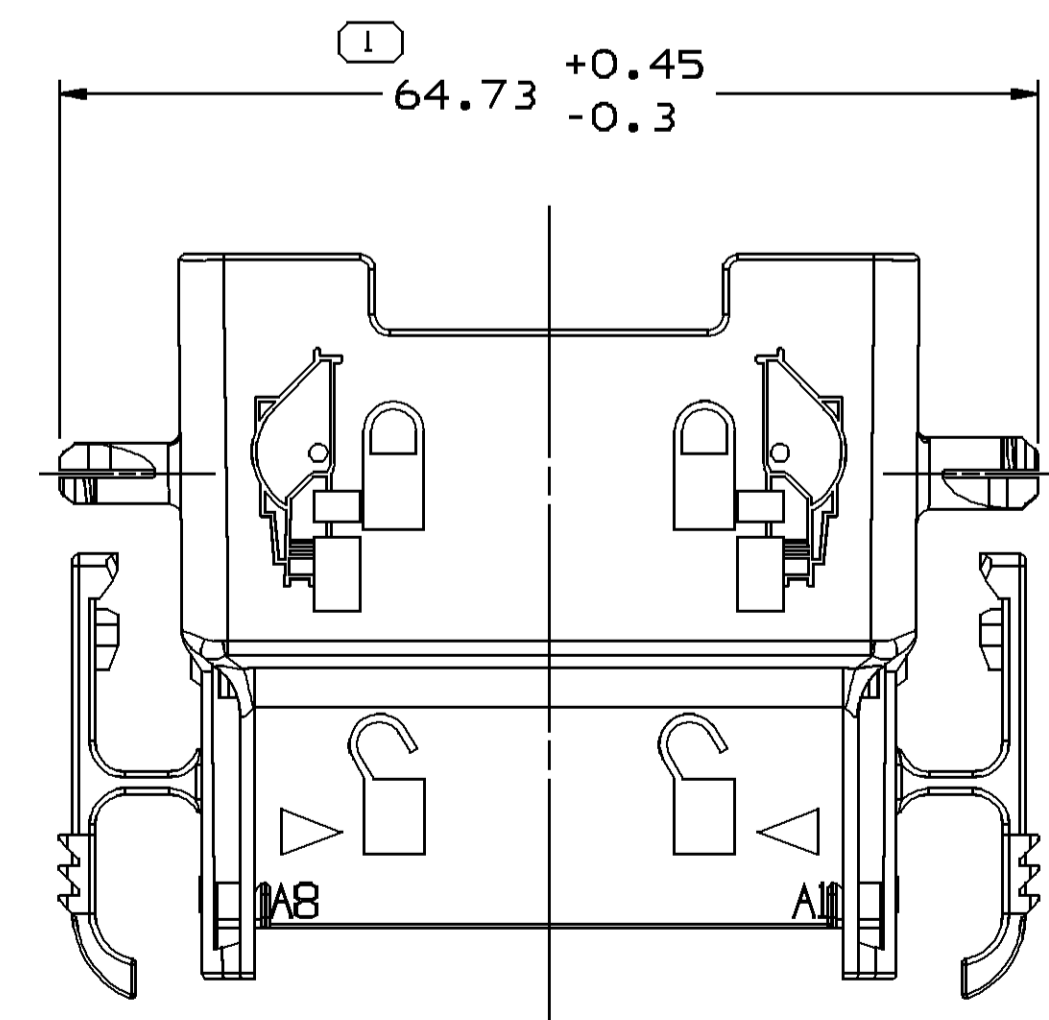
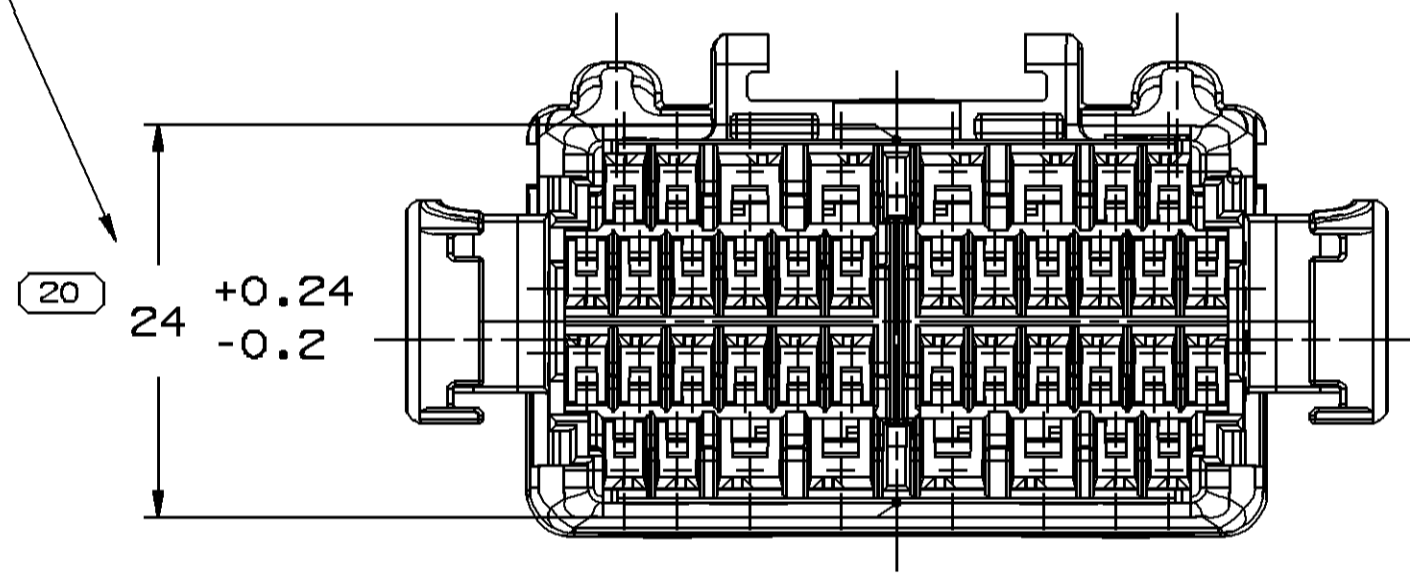
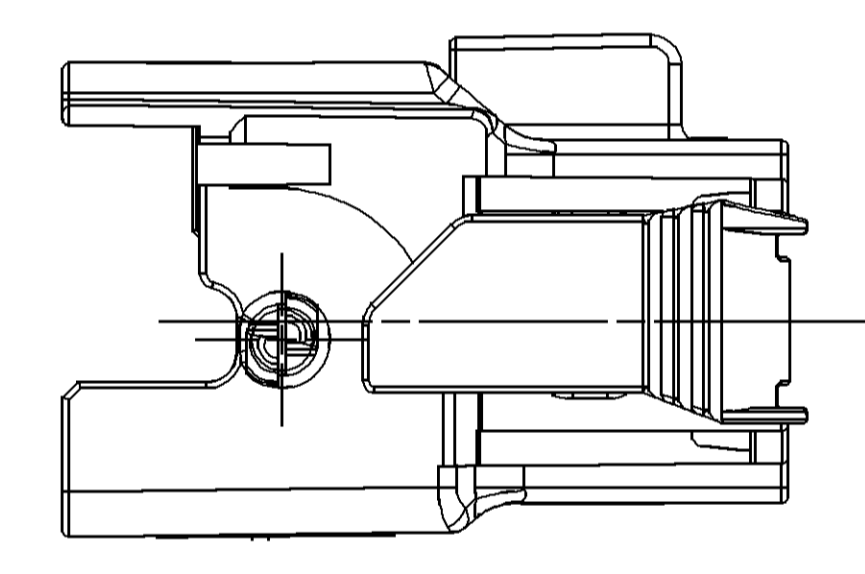
MATERIAL RECYCLING CODE OPTIONAL



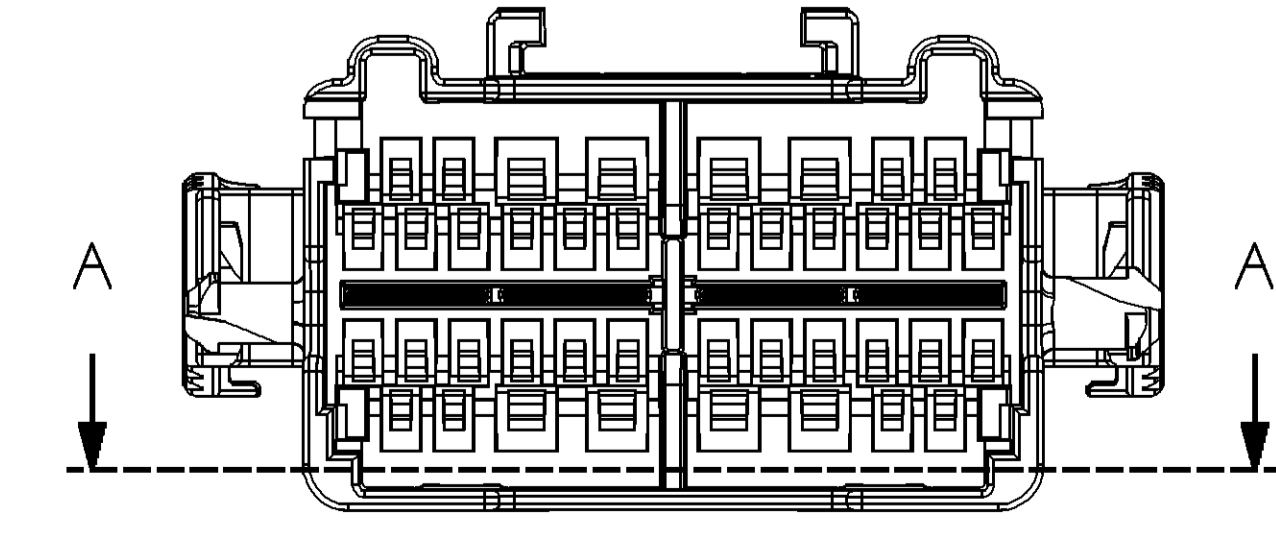
OPTIONAL CONSTRUCTION (WITHOUT ARROW)



TAKE FROM CENTER LINE



SECTION A - A



OPTIONAL CONSTRUCTION

NOTES

- UNLESS OTHERWISE SPECIFIED AND/OR INDICATED:
DIMENSIONS ARE TO FACE OF VIEW SHOWN AND AUTOMATICALLY ROUNDED BY COMPUTER FOR INSPECTION (SEE MATH MODEL FOR PRECISE DIMENSIONS). FOR ALL OTHER DIMENSIONS NOT SHOWN BUT REQUIRED FOR TOOL BUILD, SEE MATH MODEL FOR PRECISE TOOL PATH DATA.
- MATERIAL RECYCLING CODE PER ISO 11469. (2.3)X(0.1) CHARACTERS AS SHOWN TO BE LOCATED ON ANY EXTERIOR SURFACE.
- (2.3)X(0.1) DELPHI CORPORATE BRAND TO BE LOCATED ON ANY EXTERIOR SURFACE, PREFERABLY VISIBLE AT FINAL ASSEMBLY. OPTIONAL CONSTRUCTION FOR EXISTING TOOLING MAY BE "PED".
- TO BE USED WITH APPROPRIATE DELPHI PACKARD ELECTRIC SYSTEMS DESIGNED HOLDERS.
- TO BE PROCESSED USING DELPHI PACKARD ELECTRIC SYSTEMS BEST PRACTICE METHOD OR CUSTOMER ASSEMBLY INSTRUCTION.
- THIS PRODUCT IS NOT CATEGORIZED AS AN APPEARANCE ITEM, MINOR IMPERFECTIONS INCLUDING, BUT NOT LIMITED TO, FLOW MARKS, COLOR BLEMISHES, GATE VESTIGE, AND SOFT FLASH THAT DO NOT AFFECT THE FIT, FORM, OR FUNCTION OF THE PART ARE PERMISSIBLE PER NAP 4.10-18.
- FOR APPLICATION DATA SEE THE APPLICATION DRAWING.

DIMENSIONAL RANGE (MM)	SHORT ET
FROM > 0	> 20
> 20	> 30
> 30	> 70
> 70	> 100
> 100	> 150
> 150	> 200
> 200	> 250
> 250	> 300
> 300	> 400

PART DRAWING	
STYLE	
VOLUME 10/1	DISTR CODE
18,356	D
UNLESS OTHERWISE SPECIFIED	
THIS DOCUMENT IS IN ACCORDANCE WITH ASME Y14.5M-1994 AS MODIFIED BY THE IN-SOURCE DIMENSIONING AND TOLERANCE ADDENDUM-2009. SEPARATE WRITINGS OF FEATURES MAY BE BASED SEPARATELY PER-ROLE OF DUTY REFERENCES.	
ALL DIMENSIONS ARE IN MILLIMETERS	
REFERENCE	
THIRD ANGLE PROJECTION	DO NOT SCALE
SCALE	FRAME NO
2:1	1 OF 1
USE MATH DATA	

DELPHI	
DELPHI PACKARD ELECTRICAL/ELECTRONIC ARCHITECTURE	
M/PRN, DR	
DR	DATE
APV01 J.S. ALVARADO	28JUL03
APV02 J.S. ALVARADO	28JUL03
APV03 MATTHEW L. PENN	01AUG03
APV04	
APV05	
SUBSTANCES OF CONCERN AND RECYCLED CONTENT PER DELPHI 10949001	
MATERIAL POLYAMIDE COMPOUND BLACK	
DRAWING NAME	
CONN 40 M GT 150 280	
DRAWING NUMBER	
15475869	
SIZE	SCALE
A0	2:1
FRAME NO	SHEET NO
1 OF 1	1 OF 1
REV	N/P
02	AC