

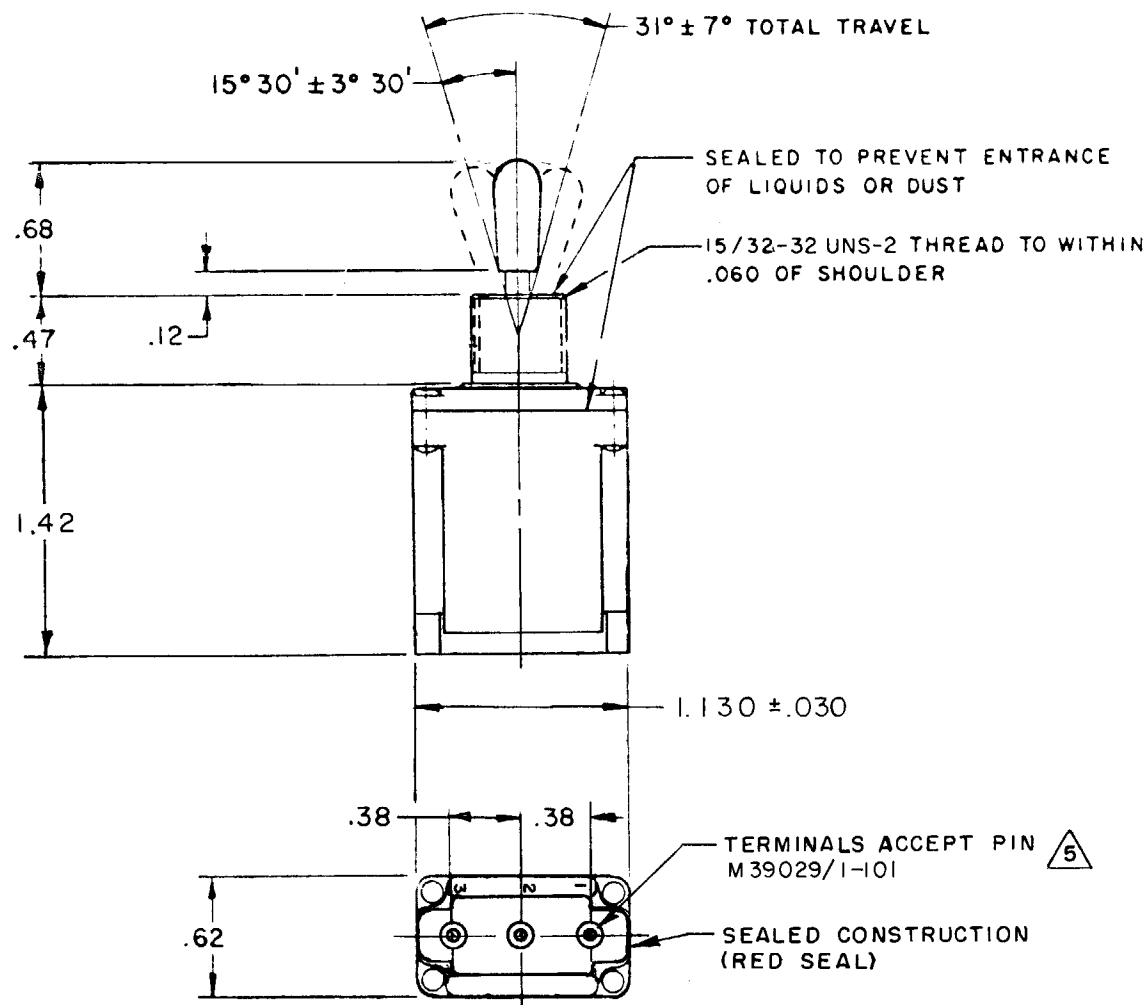
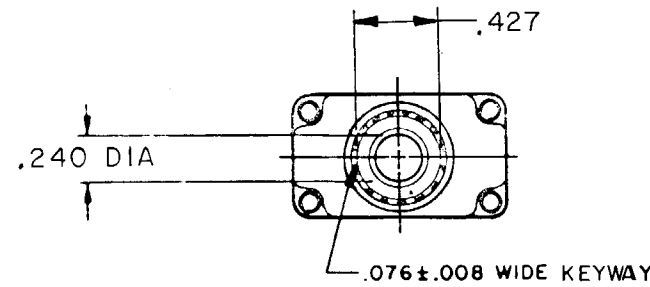
**MICRO SWITCH**  
 FREEPORT ILLINOIS U.S.A.  
 A DIVISION OF HONEYWELL

FED. MFG. CODE 91929

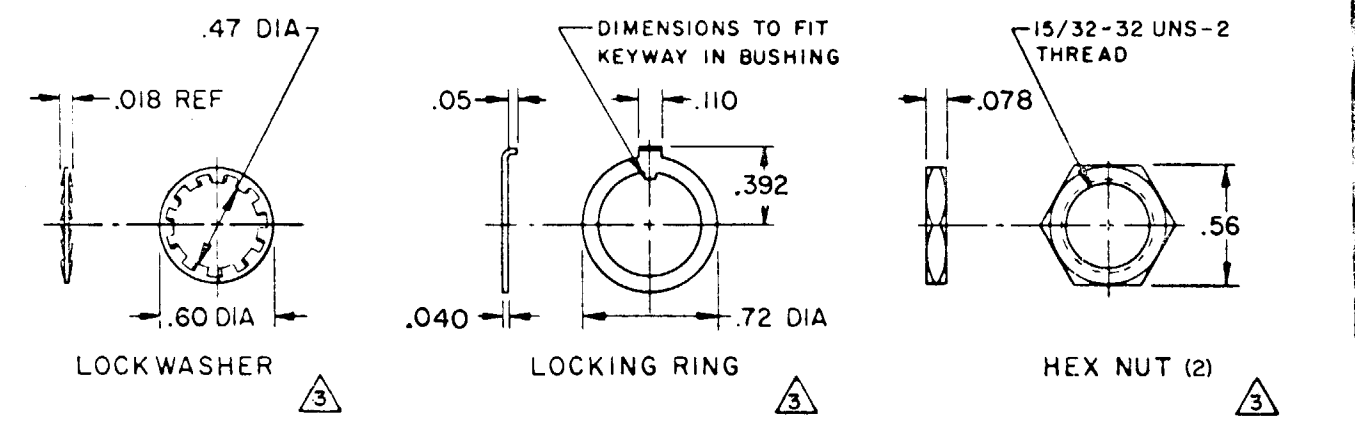
# SWITCH-TOGGLE

CATALOG LISTING  
**101TL2 SERIES**  
**CHART 1**

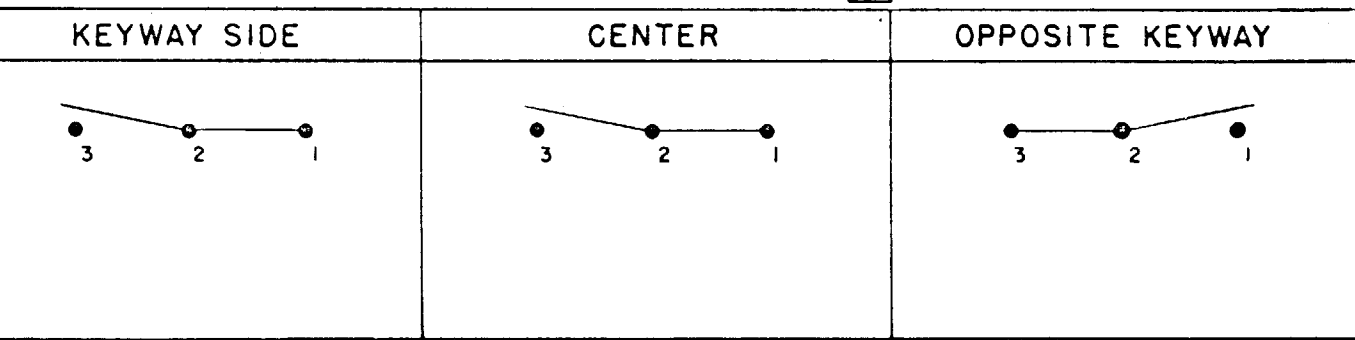
THIS DRAWING COVERS A PROPRIETARY ITEM AND IS THE PROPERTY OF MICRO SWITCH, A DIVISION OF MINNEAPOLIS-HONEYWELL REGULATOR CO. THIS DRAWING IS NOT TO BE COPIED OR USED WITHOUT THE APPROVAL OF MICRO SWITCH.



CAT. LIST.	CIRCUIT WITH TOGGLE IN			CURRENT CAPACITY (AMPS)								REL. NO.	MS NUMBER	
	EXTREME POSITION KEYWAY SIDE	CENTER	EXTREME POSITION OPPOSITE KEYWAY	RESISTIVE LOAD DC VOLTS			LAMP LOAD		INDUCTIVE LOAD					
				30	115	250	115	230	30 VDC	115 VAC	30 VDC			115 VAC
101TL2-1	ON	OFF	ON										PR-1498	MS 27784-21
101TL2-2	OFF	NONE	ON										PR-4428	MS 27784-22
101TL2-3	ON	NONE	ON										PR-4428	MS 27784-23
101TL2-21	NONE	OFF	ON	7.5	.75	.5	7.5	6	5	3	7.5	7.5	PR-3341	MS 27784-24
101TL2-31	NONE	ON	ON											MS 27784-33
101TL2-4	MOM OFF	NONE	ON											MS 27784-29
101TL2-5	MOM ON	OFF	ON										PR-4153	MS 27784-31
101TL2-6	MOM ON	NONE	OFF											MS 27784-30
101TL2-7	MOM ON	OFF	MOM ON										PR-4428	MS 27784-27
101TL2-8	MOM ON	NONE	ON										PR-4526	MS 27784-26
101TL2-51	NONE	ON	MOM ON	7.5	.75	.5	7.5	6	4	2	7.5	7.5		MS 27784-25
101TL2-61	MOM ON	OFF	NONE										PR-3658	MS 27784-32
														MS 27784-28



**CIRCUIT DIAGRAM**



- NOTES**
- SWITCHES ARE CAPABLE OF WITHSTANDING A TEMPERATURE OF 160°F. CONTINUOUSLY AT FULL RATED LOAD
  - CIRCUIT DESIGNATION, MICRO SWITCH CATALOG LISTING, DATE CODE AND MS NUMBER IDENTIFIED ON SIDE OF SWITCH
  - FURNISHED UNASSEMBLED
  - CIRCUIT DIAGRAMS APPLY TO "ON" AND "MOM ON" POSITIONS
  - THE SEALING GROMMET SHALL SEAL ON A SMOOTH WIRE INSULATION OF .040 TO .083 DIAMETERS (16-20 GAGE)
  - UNUSED TERMINAL HOLES MAY BE SEALED WITH PLUGS M83723/28-20
  - THESE UNITS ARE QUALIFIED UNDER MIL-S-3950

SCALE FULL  
 DO NOT SCALE PRINT  
 UNLESS OTHERWISE NOTED  
 DIMENSIONS ARE IN INCHES  
**TOLERANCES ARE:**  
 ONE PLACE (.0) ± .030  
 TWO PLACE (.00) ± .015  
 THREE PLACE (.000) ± .005  
 ANGLES  
 WEIGHT .09 LB MAX

CATALOG LISTING  
**M 101TL2 SERIES CHART 1**  
 PAGE 1 OF 1  
 ISSUE 23  
 REVISIONS  
 A C092297 JAK 16 FEB 98  
 DRAWN M B S 26 SEP 69  
 CHECK L S D 29 SEP 69  
 CHECK R R 29 SEP 69  
 REFLECTOR PR-3658  
 FORMTEK

## X-ON Electronics

Largest Supplier of Electrical and Electronic Components

*Click to view similar products for [Toggle Switches](#) category:*

*Click to view products by [Honeywell](#) manufacturer:*

Other Similar products are found below :

[A19HV](#) [8A1-C-222](#) [60012L](#) [6006L](#) [6663](#) [7101MD9V30GE](#) [7101SPDV30BE](#) [7103SDV30BE](#) [7105D](#) [7108P3YAV2BE](#) [71YY50282](#)  
[7201MD9AVBE](#) [7301K38](#) [7306K36](#) [7310K36](#) [7314K36](#) [7506K4](#) [7592K6](#) [7691K14](#) [7700K1](#) [8396K108](#) [8824K14](#) [8828K13](#) [G2VX](#) [G3VX](#)  
[PS83-121G](#) [A101MD9AB04](#) [A101SD9AB04](#) [A101SDCQ04](#) [A103SD9AQ04](#) [A107TZB04](#) [A123P32YZQ](#) [A123S1YZG](#) [A127S1YCQ](#) [1-](#)  
[1825192-0](#) [A131S1YZQ](#) [A201SCWZB04](#) [A207SYCB04](#) [A208J61ZQ0004](#) [A221K12KAG](#) [A221S1YZQ](#) [A221T1TCQ](#) [A232K12KZQ](#)  
[A232M1YCQ](#) [A323S1CWZQ](#) [A423S1CWZG-M8](#) [A423S1YZQ](#) [12149A-3V](#) [12156AX408](#) [12147AGKX679](#)