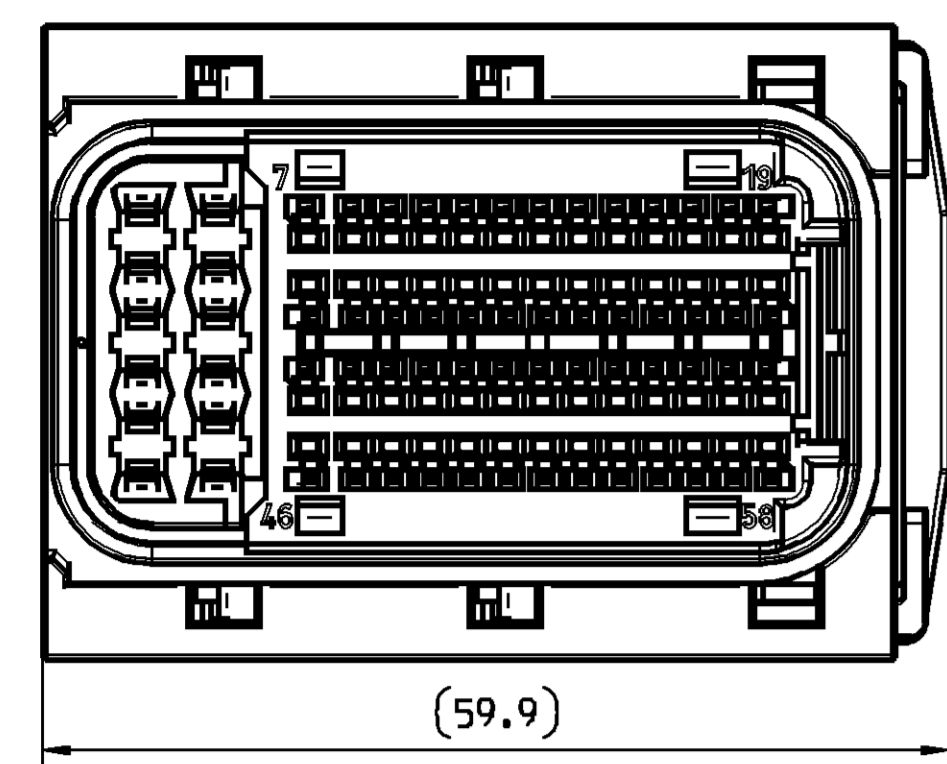
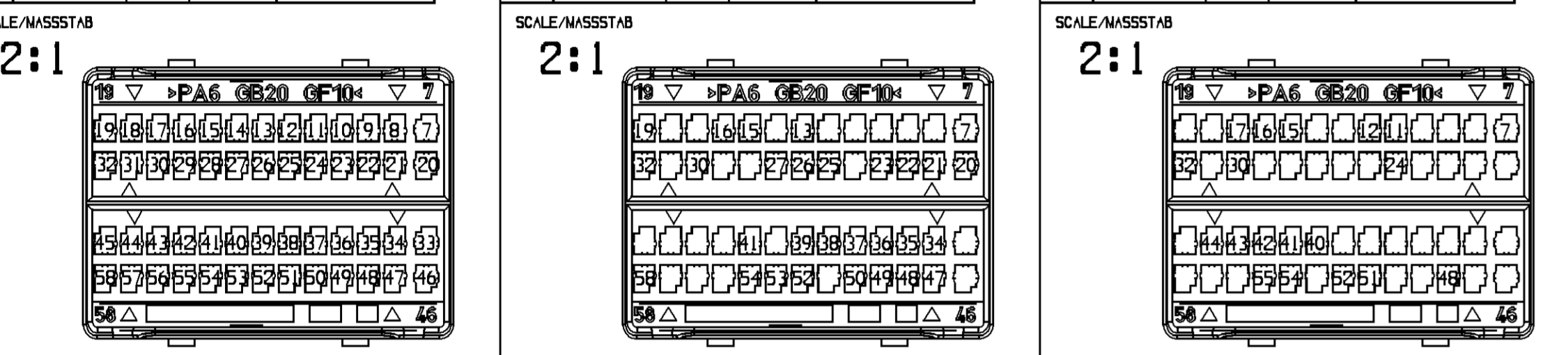


COD	TITLE BENENNUNG	PART-NO. REV	DATE DATUM	AMOUNT ANZAHL	CUSTOMER-NO. KUNDENNUMMER	NOTES BEMERKUNG
Z	CONNECTOR 58 WAY CONNECTOR 58 POL.	15494596 01	18.JUL05	0	---	CONDITION OF DELIVERY POS. 1+2 ASSEMBLED LIEFERZUSTAND POS. 1+2 MONTIERT
1	RECEPTACLE HOUSING 58 WAY FLACHSTECKHUELSENBEHAUSE 58 POL.	15494579 ---	---	---	---	ONLY ASSEMBLED PARTS AVAILABLE NUR MONTIERT LIEFERBAR
2	COVER PLATE AND BLOCKSEAL ABDECKPLATTE UND BLOCKDICHTUNG	---	---	---	---	ONLY ASSEMBLED PARTS AVAILABLE NUR MONTIERT LIEFERBAR

COD 1 PART-NO.: 15494579  
CODING/CODIERUNG Z

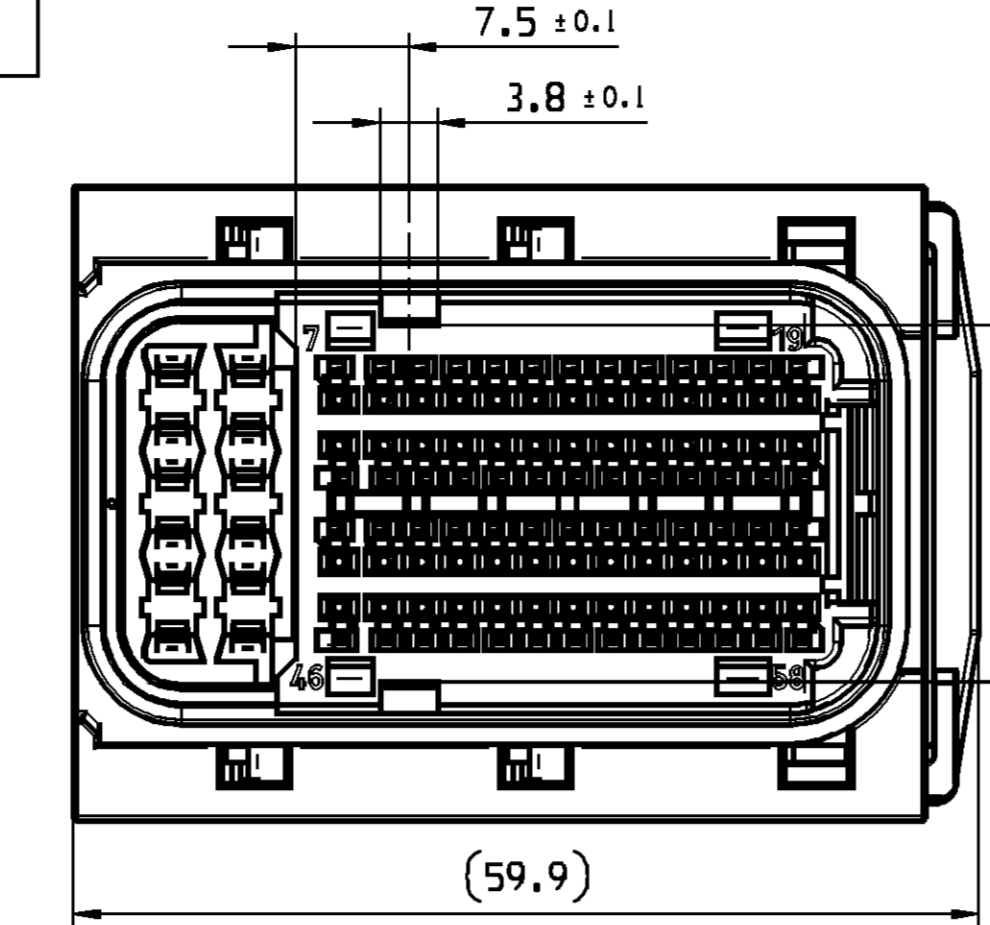


COD	PART-NO.	REV	DATE	VARIANT-NO.
Z	15494596	01	18.JUL05	0
2	15494577	---	---	0

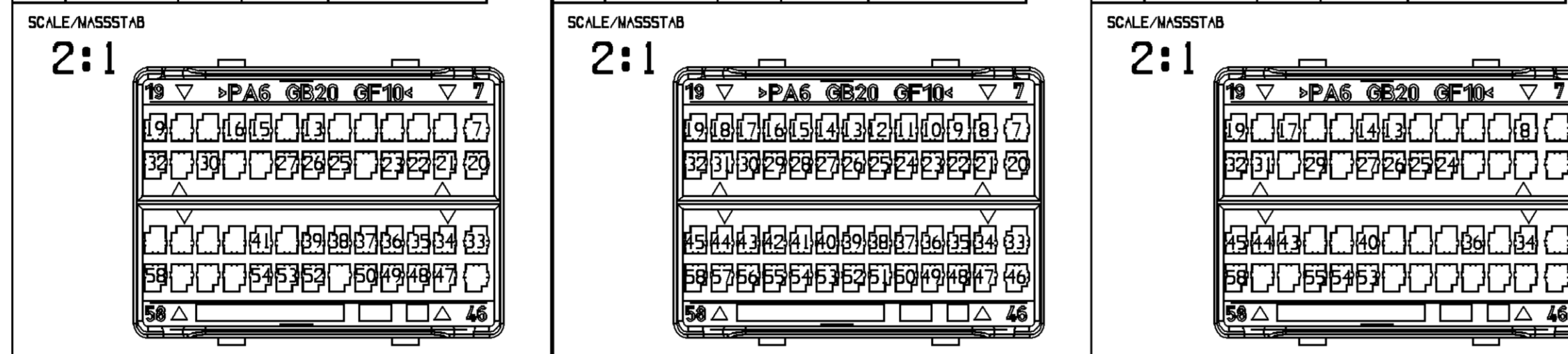


COD	TITLE BENENNUNG	PART-NO. REV	DATE DATUM	AMOUNT ANZAHL	CUSTOMER-NO. KUNDENNUMMER	NOTES BEMERKUNG
A	CONNECTOR 58 WAY CONNECTOR 58 POL.	13553229 01	18.JUL05	0	---	CONDITION OF DELIVERY POS. 1+2 ASSEMBLED LIEFERZUSTAND POS. 1+2 MONTIERT
1	RECEPTACLE HOUSING 58 WAY FLACHSTECKHUELSENBEHAUSE 58 POL.	13553229 ---	---	---	---	ONLY ASSEMBLED PARTS AVAILABLE NUR MONTIERT LIEFERBAR
2	COVER PLATE AND BLOCKSEAL ABDECKPLATTE UND BLOCKDICHTUNG	---	---	---	---	ONLY ASSEMBLED PARTS AVAILABLE NUR MONTIERT LIEFERBAR

COD 1 PART-NO.: 13553229  
CODING/CODIERUNG A

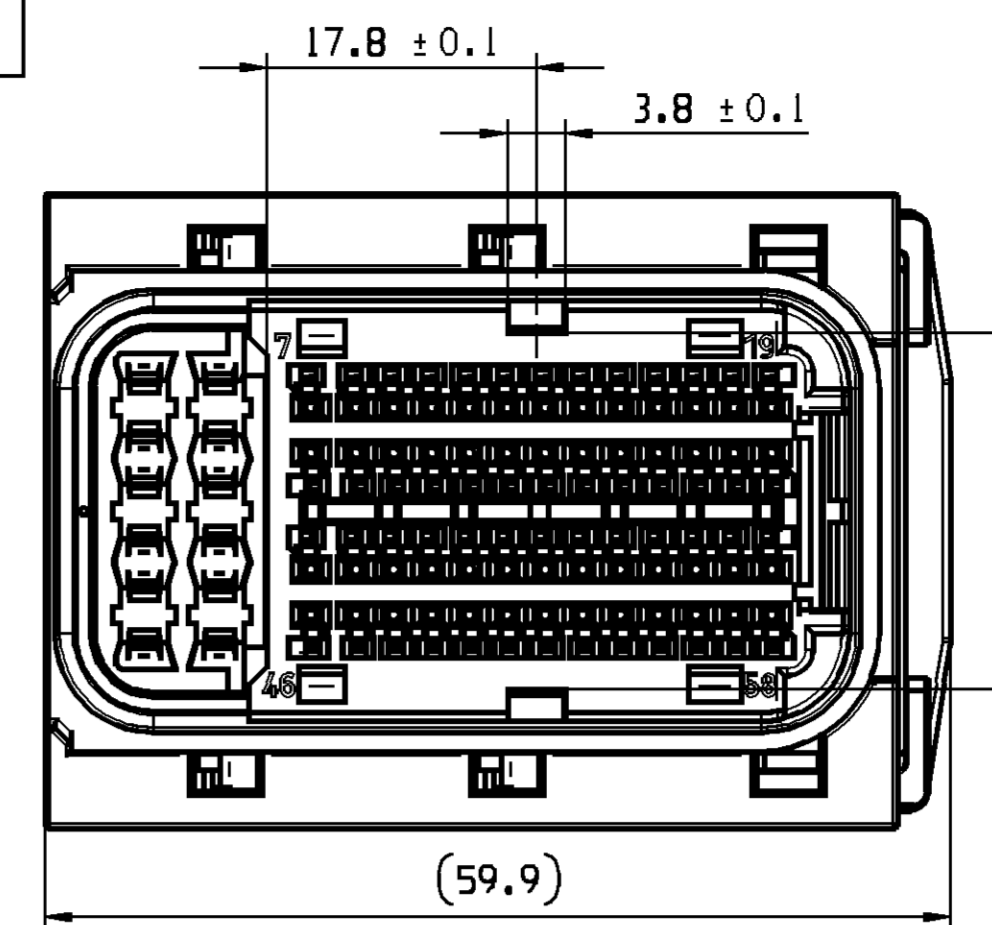


COD	PART-NO.	REV	DATE	VARIANT-NO.
A	1355331	01	18.JUL05	0
2	15494577	---	---	0

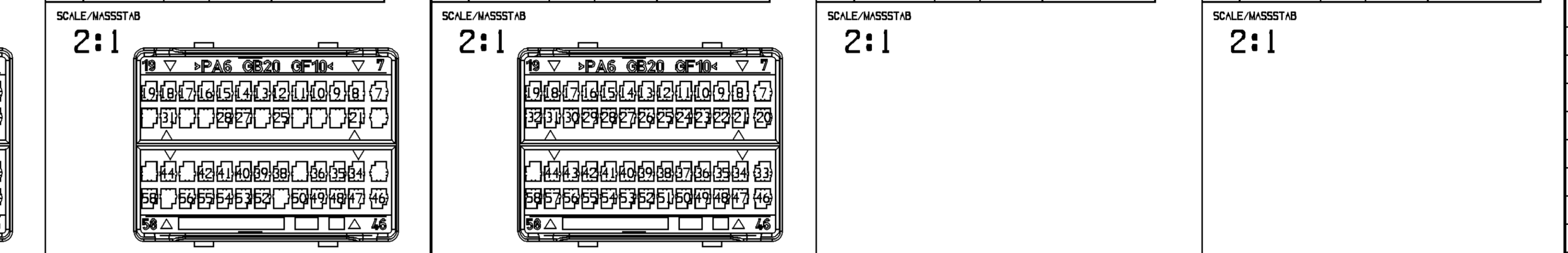


COD	TITLE BENENNUNG	PART-NO. REV	DATE DATUM	AMOUNT ANZAHL	CUSTOMER-NO. KUNDENNUMMER	NOTES BEMERKUNG
E	CONNECTOR 58 WAY CONNECTOR 58 POL.	13528315 01	18.JUL05	0	---	CONDITION OF DELIVERY POS. 1+2 ASSEMBLED LIEFERZUSTAND POS. 1+2 MONTIERT
1	RECEPTACLE HOUSING 58 WAY FLACHSTECKHUELSENBEHAUSE 58 POL.	13528315 ---	---	---	---	ONLY ASSEMBLED PARTS AVAILABLE NUR MONTIERT LIEFERBAR
2	COVER PLATE AND BLOCKSEAL ABDECKPLATTE UND BLOCKDICHTUNG	---	---	---	---	ONLY ASSEMBLED PARTS AVAILABLE NUR MONTIERT LIEFERBAR

COD 1 PART-NO.: 13528315  
CODING/CODIERUNG E

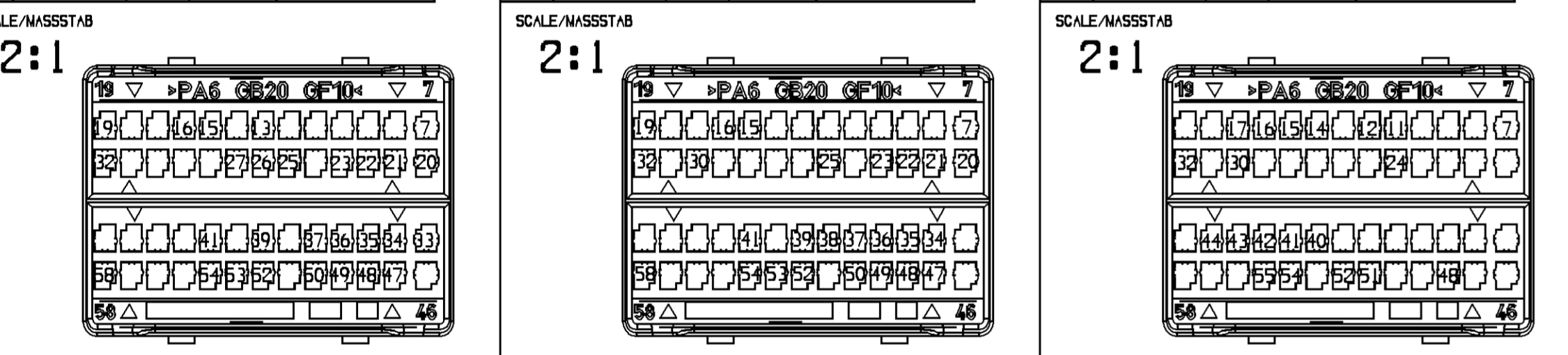


COD	PART-NO.	REV	DATE	VARIANT-NO.
E	1355332	01	18.JUL05	0
2	15494577	---	---	0

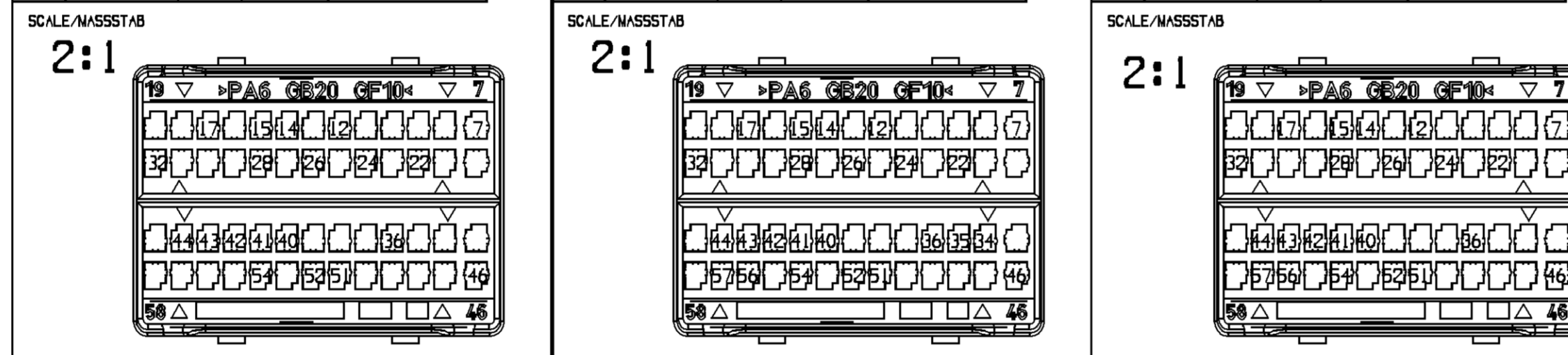


ZONE	REV	DATE	NAME	CHECK	STOCK
01	01	14.JUL05	T.SWIE	STOR.	M.SKR.
02	02	18.JUL05	T.SWIE	STOR.	M.SKR.
03	03	23.AUG05	T.SWIE	STOR.	M.SKR.
04	04	02.SEP05	T.SWIE	STOR.	M.SKR.
05	05	19.JAN06	V.KAS.	STOR.	MICHA.
06	06	06.MAR06	V.KAS.	STOR.	MICHA.
07	07	02.JUN06	W.SZO.	STOR.	M.SKR.
08	08	27.OCT06	W.SZO.	STOR.	M.SKR.
09	09	12.FEB07	W.SZO.	STOR.	P.LES.
10	10	20.APR07	W.TAR.	STOR.	P.LES.
11	11	27.AUG07	A.STA.	STOR.	M.SKR.
12	12	17.JUL07	W.SZO.	STOR.	K.PIT.
13	13	19.SEP07	W.TAR.	STOR.	M.SKR.

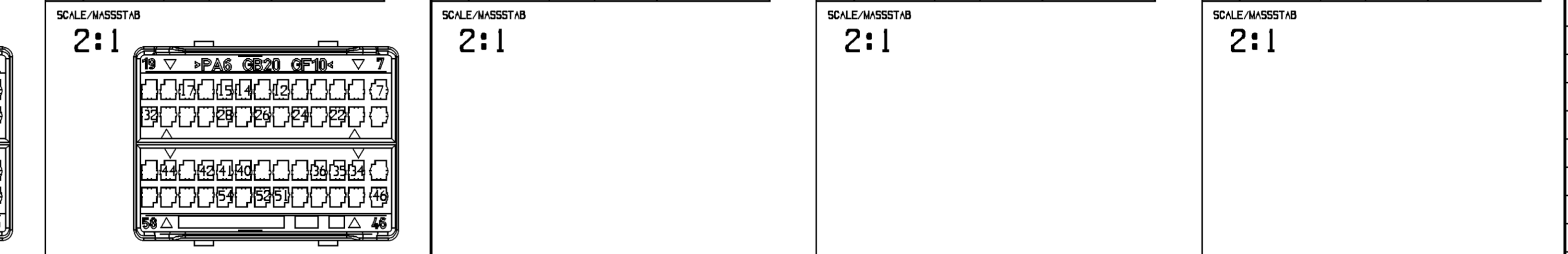
COD	PART-NO.	REV	DATE	VARIANT-NO.
Z	13567756	01	01.DEU05	6
2	13567626	---	---	6



COD	PART-NO.	REV	DATE	VARIANT-NO.
Z	13531295	01	14.JAN05	13
2	13531294	---	---	13

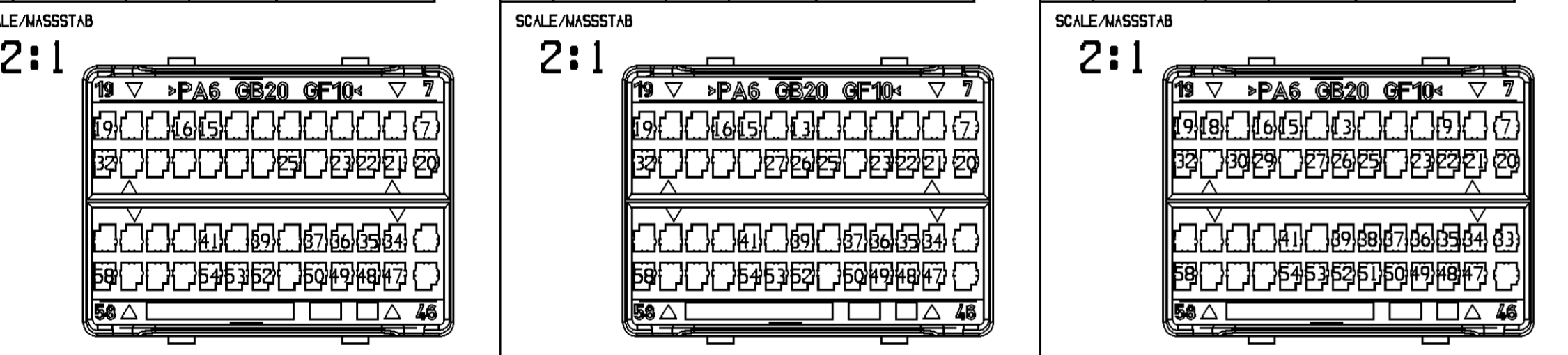


COD	PART-NO.	REV	DATE	VARIANT-NO.
A	1357429	01	06.MAR06	24
2	1357423	---	---	24

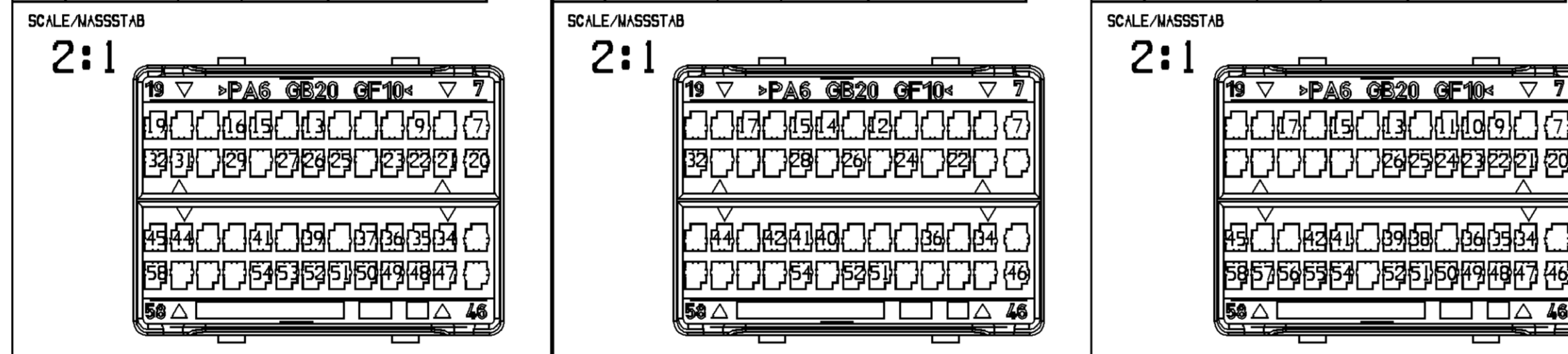


COD	PART-NO.	REV	DATE	VARIANT-NO.
E	---	---	---	---
2	---	---	---	---

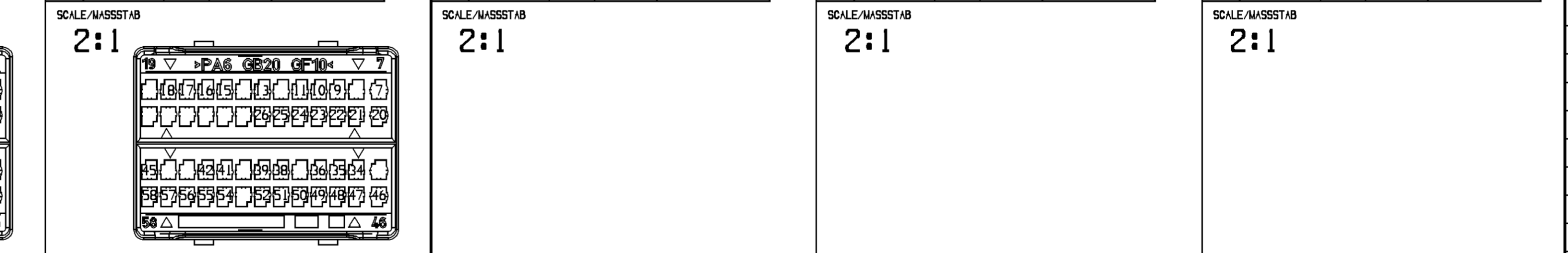
COD	PART-NO.	REV	DATE	VARIANT-NO.
Z	13541379	01	02.SEP05	15
2	13541374	---	---	15



COD	PART-NO.	REV	DATE	VARIANT-NO.
Z	13572548	01	19.JAN06	22
2	13572546	---	---	22

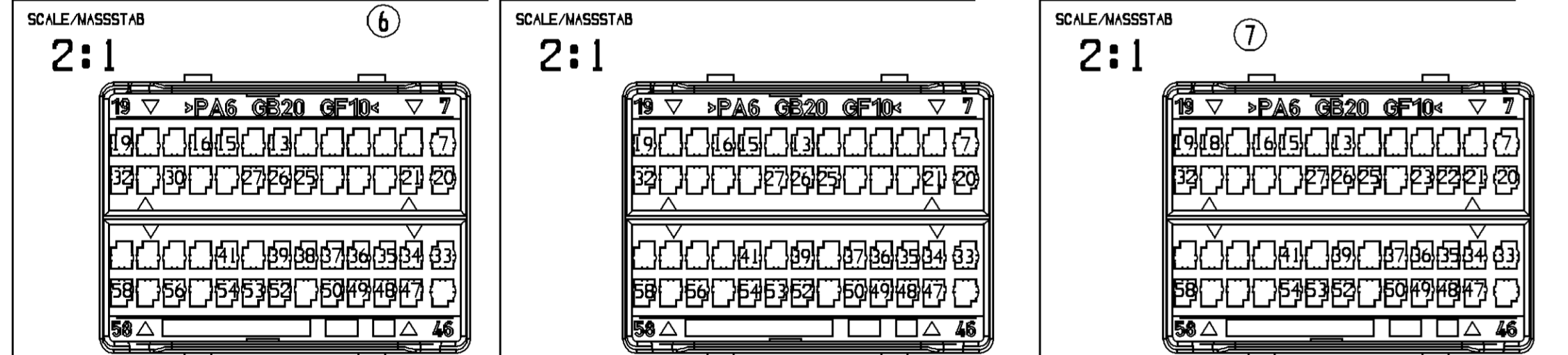


COD	PART-NO.	REV	DATE	VARIANT-NO.
A	13577430	01	06.MAR06	25
2	13577424	---	---	25

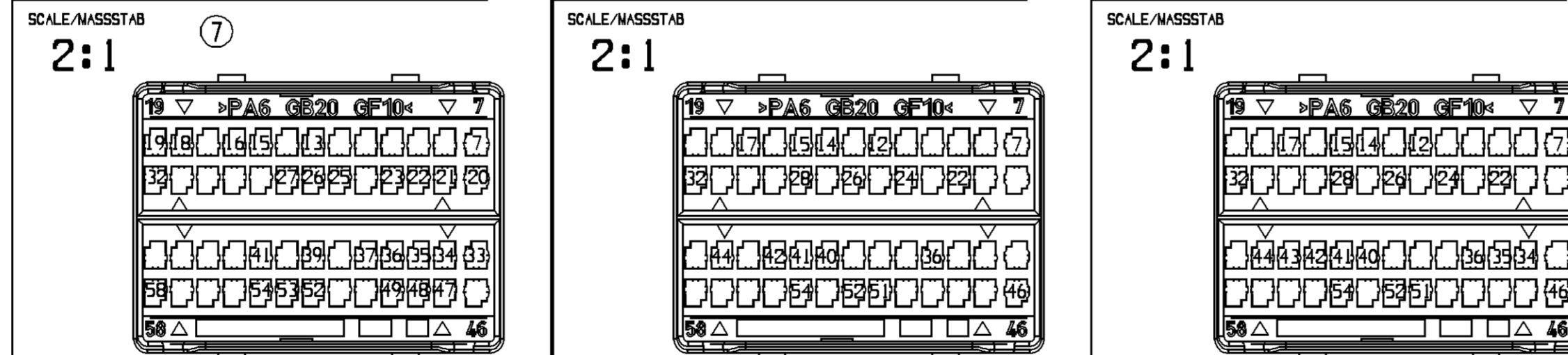


COD	PART-NO.	REV	DATE	VARIANT-NO.
E	---	---	---	---
2	---	---	---	---

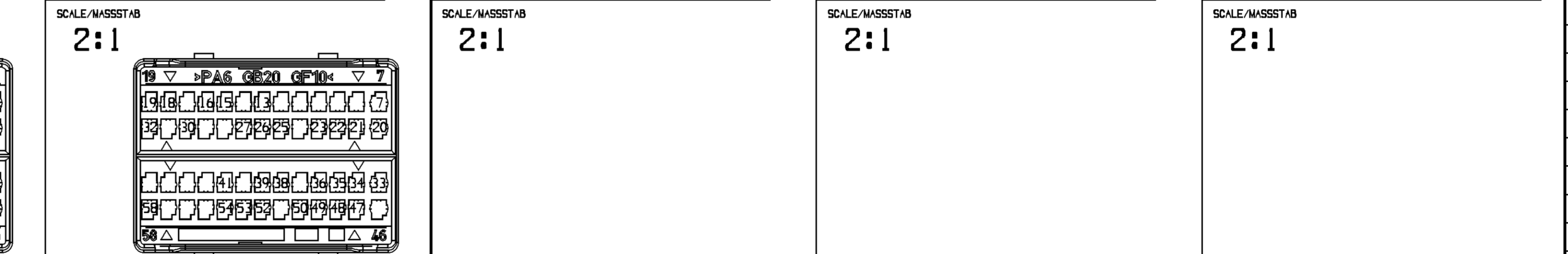
COD	PART-NO.	REV	DATE	VARIANT-NO.
Z	13553262	01	06.MAR06	26
2	13577425	---	---	26



COD	PART-NO.	REV	DATE	VARIANT-NO.
Z	13589157	01	02.JUN06	32
2	13589155	---	---	32

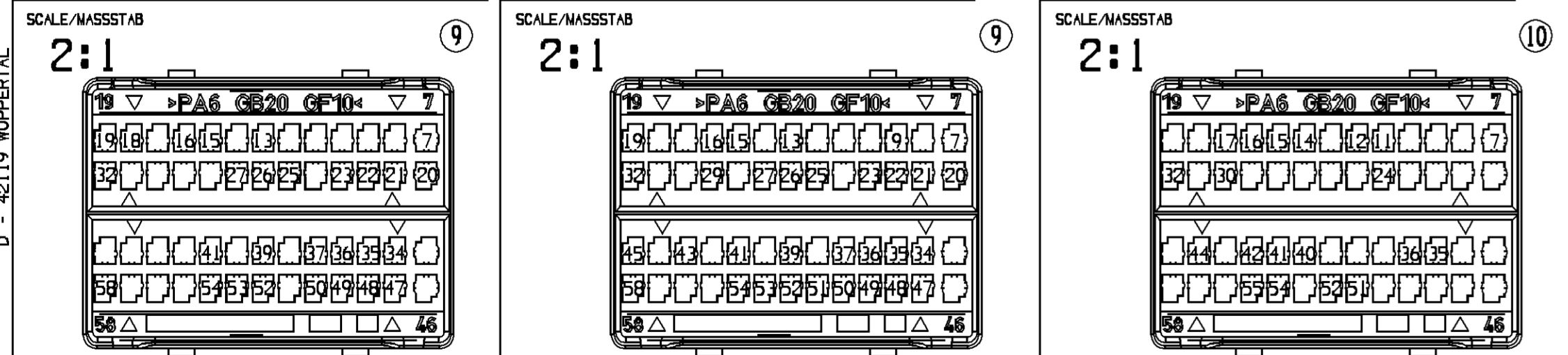


COD	PART-NO.	REV	DATE	VARIANT-NO.
A	13577431	01	06.MAR06	28
2	13577427	---	---	28

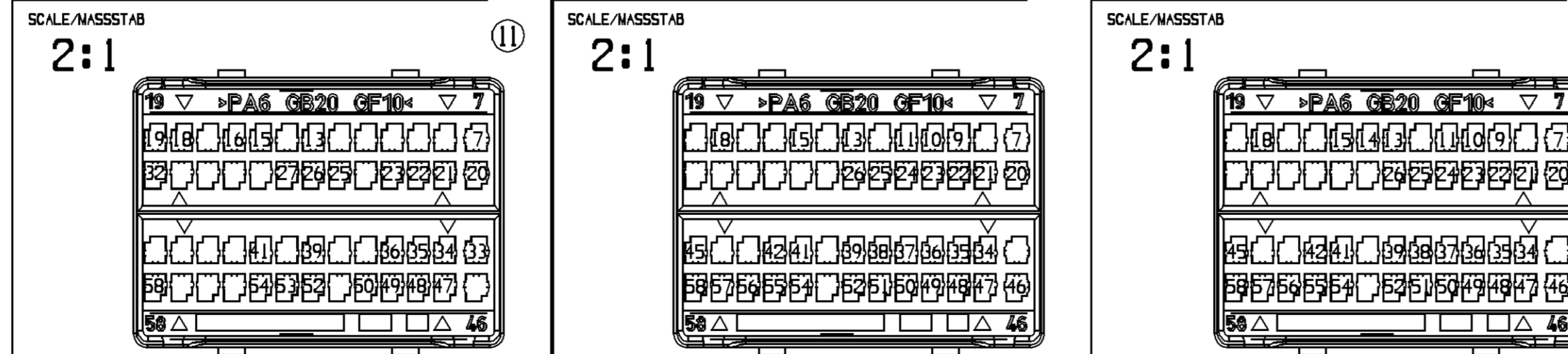


COD	PART-NO.	REV	DATE	VARIANT-NO.
E	---	---	---	---
2	---	---	---	---

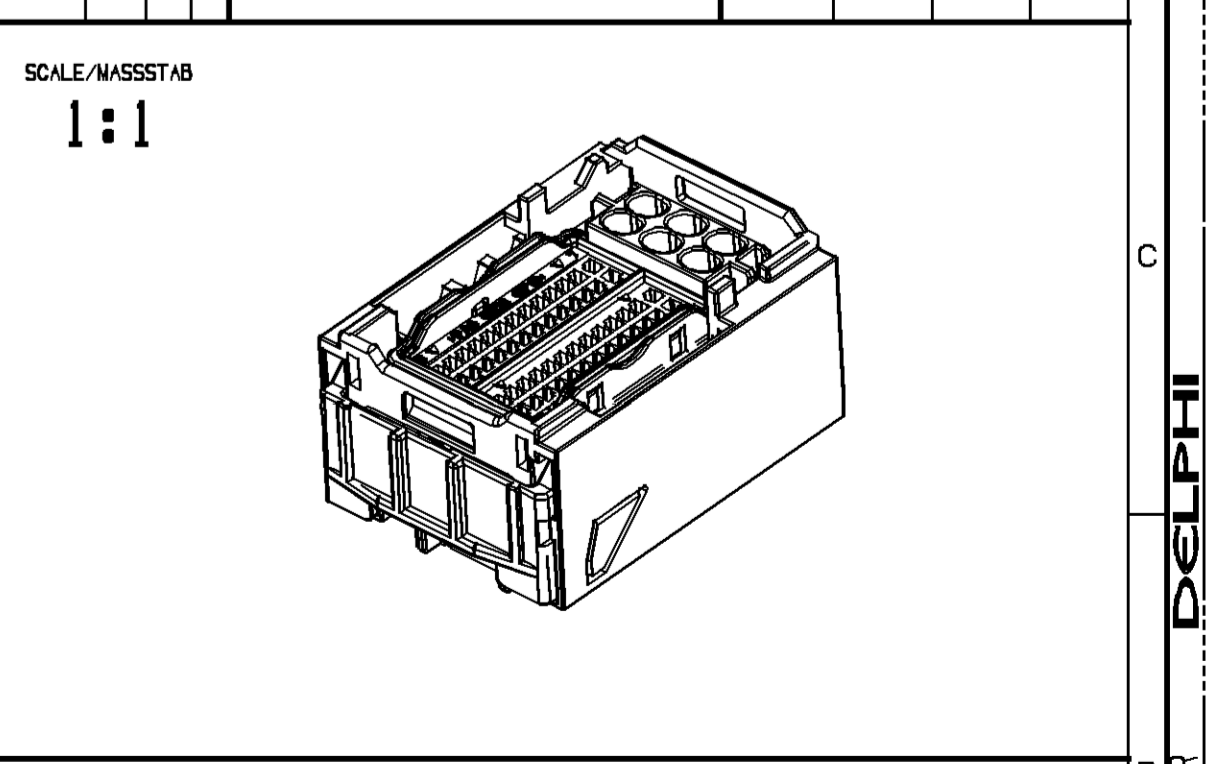
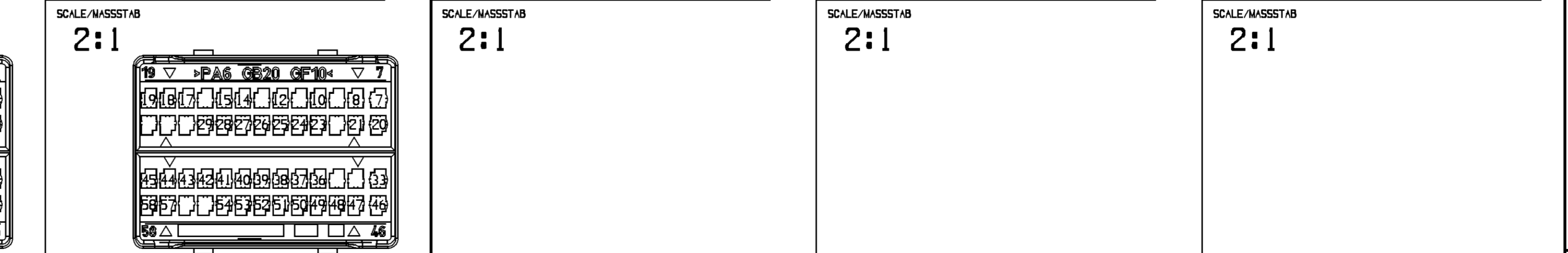
COD	PART-NO.	REV	DATE	VARIANT-NO.
Z	13626663	01	12.FEB07	40
2	13626662	---	---	40



COD	PART-NO.	REV	DATE	VARIANT-NO.
Z	1362755	01	20.JUN07	54
2	1362754	---	---	54



COD	PART-NO.	REV	DATE	VARIANT-NO.
A	13626099	01	12.FEB07	35
2	13626094	---	---	35



NO & TYPE	DESCRIPTION	RATIONALE	PTS	ZONE
1	SAFETY/COMPLIANCE		0	
2	FIT/FUNCTION		0	
3	S/C CHECKPOINTS		0	
4	F/F CHECKPOINTS		0	

REMARKS:	BEMERKUNGEN:
- IN CASE OF PART MODIFICATION CHECK ASSEMBLY TOOLS AND TEST EQUIPMENT AT THE CUSTOMER AND THE SUPPLIER	- BEI ARTIKELÄNDERUNG AUF MONTAGE UND PRUEFEQUIPMENT BEIM KUNDEN SOWIE BEIM LIEFERANTEN ACHTEN
- LETTERS AND ENGRAVINGS 0.2 MM RAISED	- SCHRIFTEN UND GRAVUREN 0.2 MM ERHABEN
- MARK PLASTIC PARTS PER VDA 260	- KUNSTSTOFFTEILE NACH VDA 260
- BLANKED CAVITIES INDICATE CLOSED LOCATION	- LEERE FELDER KENNZEICHNEN GESCHLOSSENE KAMMERN
- CAVITIES 7; 20; 33; 46 FOR TERMINALS WITH OUTER DIAMETER 1.4-2.1 MM (TYCO 1394897-3; 1452503-3 OR EQUIVALENT) CRIMPDIMENSIONS SEE ESD 20703-CUS01-S02	- KAMMERN 7; 20; 33; 46 FUER KONTAKTE MIT AUSSENDURCHMESSER 1.4-2.1 MM (TYCO 1394897-3; 1452503-3 ODER VERGLEICHBAR) CRIMPMASSSE SIEHE ESD 20703-CUS01-S02
- CAVITIES 8-19; 21-32; 34-45; 47-58 FOR TERMINALS WITH OUTER DIAMETER 1.4-1.9 MM (TYCO 1394897-3 OR EQUIVALENT) CRIMPDIMENSIONS SEE ESD 20702-CUS01-S02	- KAMMERN 8-19; 21-32; 34-45; 47-58 FUER KONTAKTE MIT AUSSENDURCHMESSER 1.4-1.9 MM (TYCO 1394897-3 ODER VERGLEICHBAR) CRIMPMASSSE SIEHE ESD 20702-CUS01-S02
- COMPATIBLY COVER AND LEVER SEE DWG-NO.: 15494582	- PASSENDER DECKEL MIT BUEGEL SIEHE DWG-NO.: 15494582

DELPHI

CONNECTOR 58 WAY FOR TERMINAL 1.5 AND 2.8 CONNECTOR 58 POL. FUER KONTAKTSYSTEM 1.2 UND 2.8

15494597 01-02 KZUS

SEE CHART / SIEHE TABELLE

DATE: 13.JUL05  
DESIGNER: T.SWIE  
CHECKED: 14.JUL05  
DRAWN BY: 15.JUL05

SCALE: 2:1

PROJECTION: FIRST ANGLE

REVISION HISTORY: 01 INITIAL RELEASE, 02 VARIANT 2 ADDED, 03 VARIANT 3 ADDED, 04 VARIANT 4 ADDED, 05 VARIANT 5 ADDED, 06 VARIANT 6 ADDED, 07 VARIANT 7 ADDED, 08 VARIANT 8 ADDED, 09 VARIANT 9 ADDED, 10 VARIANT 10 ADDED, 11 VARIANT 11 ADDED, 12 VARIANT 12 ADDED, 13 VARIANT 13 ADDED