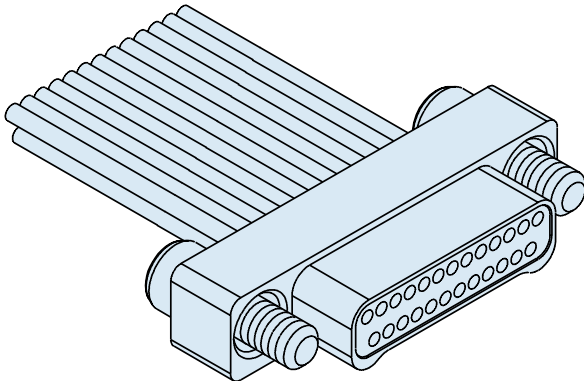


# MIL-DTL-32139/03 and /04 Dual Row Nano Connector with Insulated Wire



**Glenair Insulated Wire Nano Connectors** feature gold alloy TwistPin contacts. Contacts are precision-crimped to insulated, stranded wire. These nanominiature connectors offer premium performance and reliability for demanding applications. Contact spacing is .025 inches. 1 amp current rating, DWV rating 250 volts AC.

**TwistPin Contact System** assures premium performance in demanding environments. The gold/platinum alloy contacts will stand up to years of exposure without corrosion.

**Typical Applications** include UAV's, satellites, missile systems and geophysical instruments.

Table I: M32139 Wire Type

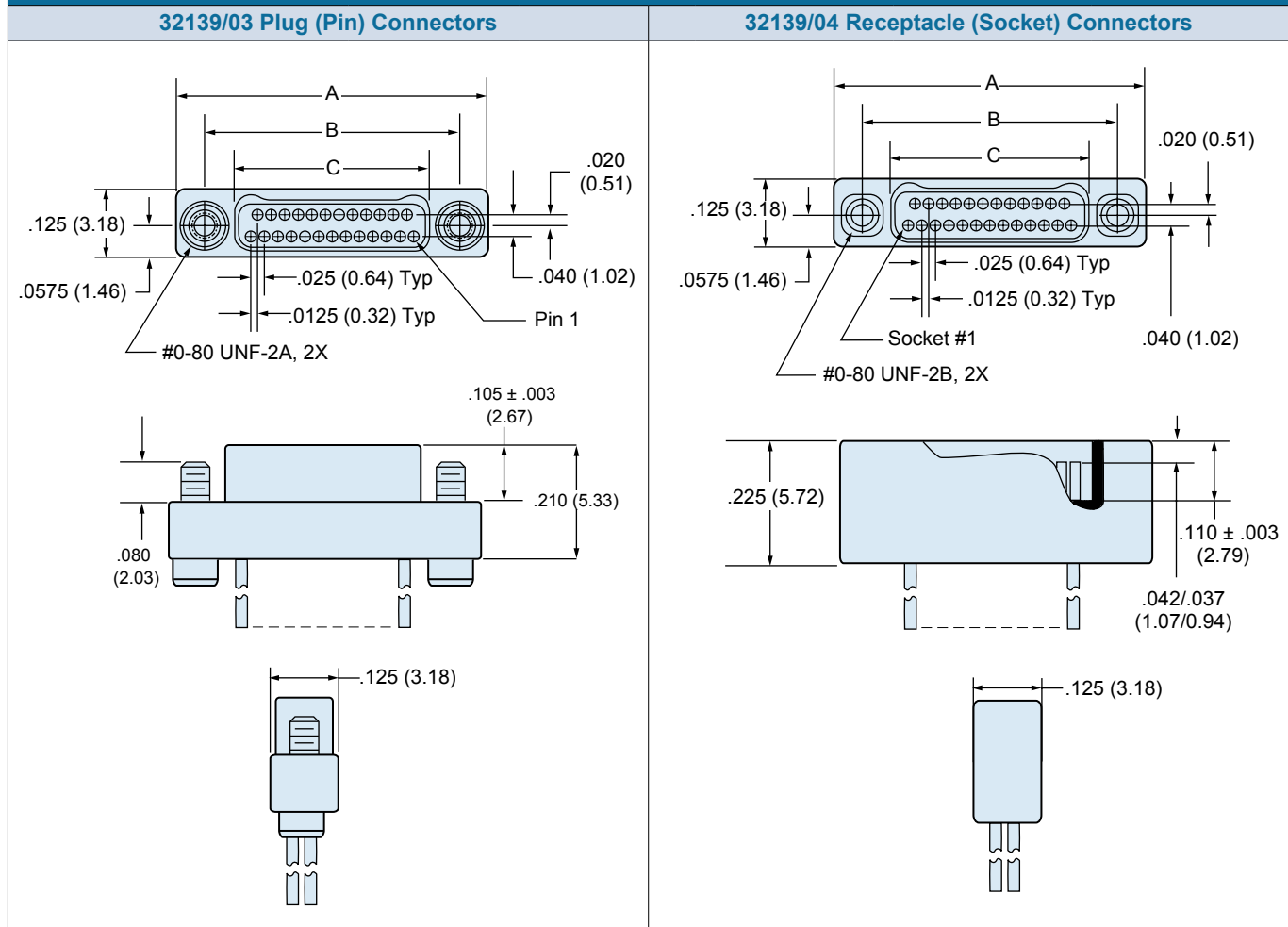
Wire Type	Specification	Color	Length Inches (mm)
01	NEMA HP3-ETXBBB	White	6 (152)
02	NEMA HP3-ETXBBB	White	18 (457)
03	NEMA HP3-ETXBBB	White	36 (914)
04	NEMA HP3-ETXBBB	10 Color <sup>(2)</sup>	6 (152)
05	NEMA HP3-ETXBBB	10 Color <sup>(2)</sup>	18 (457)
06	NEMA HP3-ETXBBB	10 Color <sup>(2)</sup>	36 (914)
07	M22759/33-30	White	6 (152)
08	M22759/33-30	White	18 (457)
09	M22759/33-30	White	36 (914)
10	M22759/33-30	10 Color <sup>(2)</sup>	6 (152)
11	M22759/33-30	10 Color <sup>(2)</sup>	18 (457)
12	M22759/33-30	10 Color <sup>(2)</sup>	36 (914)
13	04047-30A <sup>(1)</sup>	White	6 (152)
14	04047-30A <sup>(1)</sup>	White	18 (457)
15	04047-30A <sup>(1)</sup>	White	36 (914)
16	04047-30A <sup>(1)</sup>	10 Color <sup>(2)</sup>	6 (152)
17	04047-30A <sup>(1)</sup>	10 Color <sup>(2)</sup>	18 (457)
18	04047-30A <sup>(1)</sup>	10 Color <sup>(2)</sup>	36 (914)

1. DSCC 04047 is a special composite wire subject to additional cost and longer delivery.
2. Color coding per MIL-STD-681, System 1, except using ten solid colors in repeating sequence.

## How To Order Dual Row MIL-DTL-32139 Nano Connectors

Sample Part Number	M32139/03	-A	01	S	N	S
<b>Series</b>	M32139/03 Plug, Pin Contacts, Dual Row, Nanominiature M32139/04 Receptacle, Socket Contacts, Dual Row, Nanominiature					
<b>Insert Arrangements</b>	A – 9 contacts B – 15 contacts C – 21 contacts D – 25 contacts E – 31 contacts F – 37 contacts G – 51 contacts					
<b>Wire Type</b>	See Table I All wire types specify 30 AWG stranded wire.					
<b>Hardware</b>	S Jackscrew M32139/03 Plug Only T Threaded Hole M32139/04 Receptacle Only					
<b>Shell Material and Finish</b>	C - Aluminum, Cadmium Finish (Not for Space) N - Aluminum, Electroless Nickel Finish			S - Stainless Steel, Passivated Finish T - Titanium (No Finish)		
<b>Space Class</b>	(Blank) for non-space applications S - Space Grade					

Dimensions in inches (millimeters) and are subject to change without notice.

**Table II: Dual Row Insulated Wire Dimensions**


Layout	A		B BSC.		C BSC.	
	In. ± .005	mm. ± 0.13	In.	mm.	In.	mm.
9P	.375	9.52	.270	6.86	.160	4.06
9S	.375	9.52	.270	6.86	.163	4.14
15P	.450	11.43	.345	8.76	.235	5.97
15S	.450	11.43	.345	8.76	.238	6.04
21P	.525	13.33	.420	10.67	.310	7.87
21S	.525	13.33	.420	10.67	.313	7.95
25P	.575	14.60	.470	11.94	.360	9.14
25S	.575	14.60	.470	11.94	.363	9.22
31P	.650	16.51	.545	13.84	.435	11.05
31S	.650	16.51	.545	13.84	.438	11.12
37P	.725	18.41	.620	15.75	.510	12.95
37S	.725	18.41	.620	15.75	.513	13.03
51P	.900	22.86	.795	20.19	.685	17.40
51S	.900	22.86	.795	20.19	.688	17.47

Dimensions in inches (millimeters) and are subject to change without notice.

## X-ON Electronics

Largest Supplier of Electrical and Electronic Components

*Click to view similar products for [glenair manufacturer](#):*

Other Similar products are found below :

[GMR7580-15P4BSU](#) [DC40-10L](#) [MWDM2R-9P-4K5-18H-464A](#) [MWDM2R-25P-6K5-58M-464A](#) [805-001-16NF11-4SA](#) [687-348Z4-8-6](#)  
[557-107M3-05CB](#) [450DS001N10-325](#) [MR75909P1BSU](#) [809-166-NF8](#) [103-026-012](#) [891-001-25PS-0A7-18J](#) [5M2920-3CW](#) [6000-063-0022](#)  
[M28840/17AC1G3](#) [M28840/29CB1DAP1](#) [M32139/03-B06ST](#) [M39029/88-488](#) [M8351303-B14N](#) [M83513/03-C16N](#) [M83513/03-F11N](#)  
[M83513/04-E03N](#) [M83513/13-B03CW](#) [M8351329-G02NW](#) [M85049130-07M](#) [M85049/1911N02](#) [M8504924-5W](#) [M85049/3610W03](#)  
[M85049/39-17W](#) [M8504956-24N](#) [M85049/74-10-1](#) [M8504988-17P03](#) [M8504988-21N03](#) [M8504992-11M](#) [D38999/23YE26SN](#)  
[759EA458NF32Z1732-40-102.9](#) [801-008-26NF7-25SA](#) [801-025-ARB2M6-4NA-12](#) [805-002-16M12-5SA](#) [858-003-01F](#) [860-004R-](#)  
[B7MT07A-30-20](#) [G65217](#) [G8187C2010-44N](#) [G8377-21B](#) [G8801-09N](#) [G8801-25N](#) [G8859-174FNF](#) [947-432ME21-11SN](#) [947-432ME21-](#)  
[35PN](#) [D3899933F21R](#)