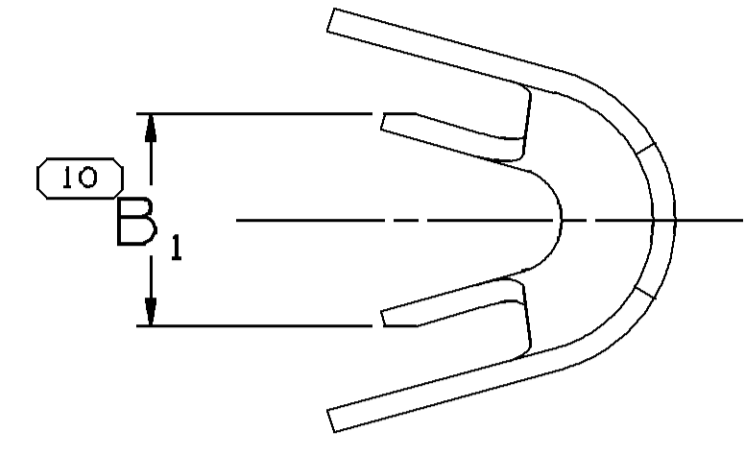
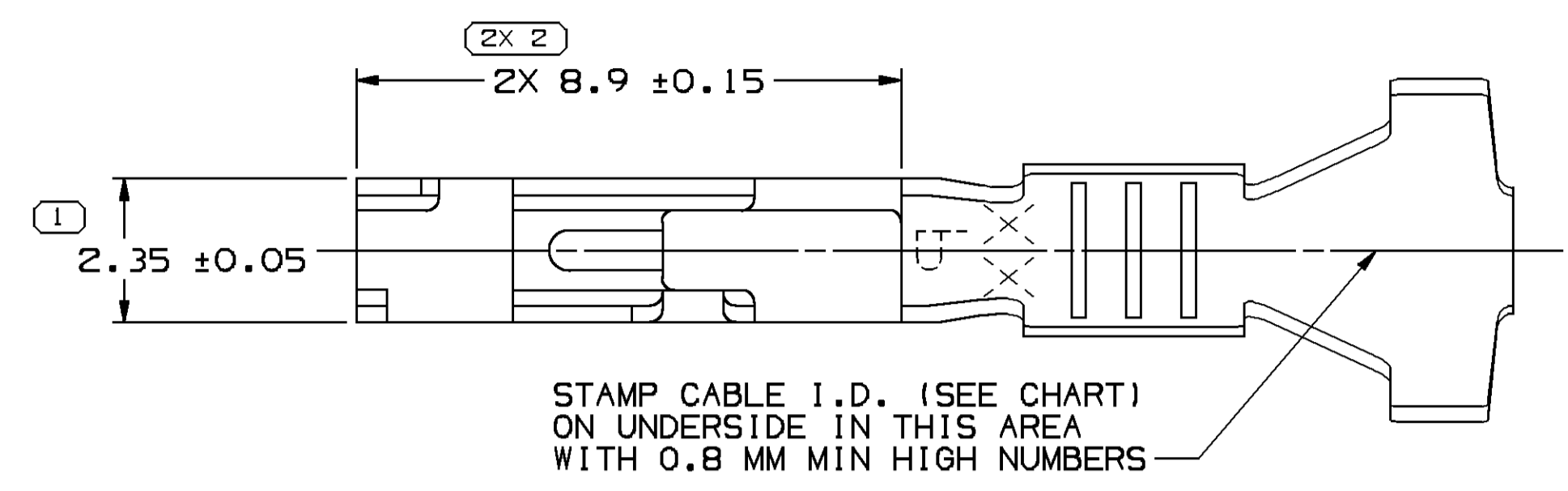
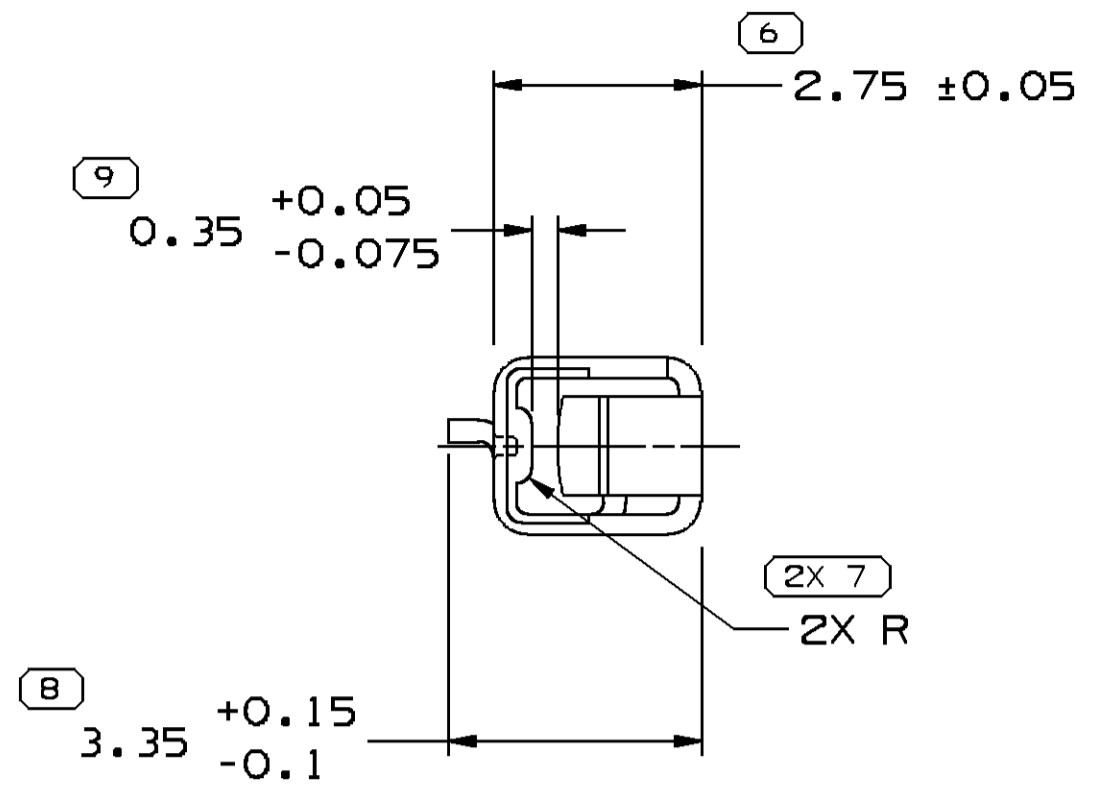


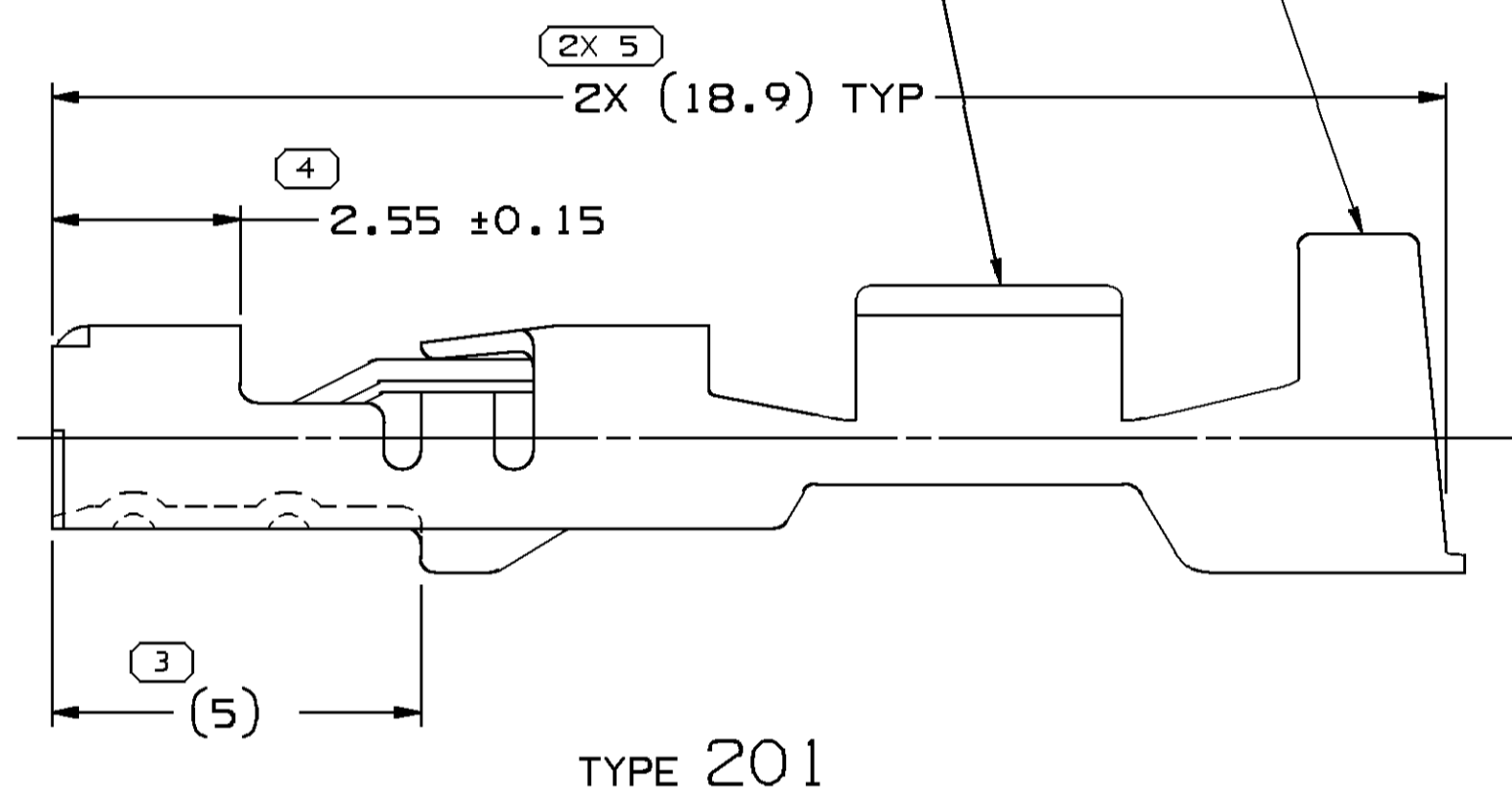
SYMBOL DEFINITION		MISSING SYMBOLS	
A DIMENSION WITHOUT AN INSPECTION REPORT SYMBOL DOES NOT REQUIRE INSPECTION. IT MAY BE CONTROLLED ON THE INDIVIDUAL COMPONENT DRAWING.	TOTAL NO OF INSPECTIONS REQUIRED	NO MISSING SYMBOL NUMBER	18
	LAST NO. USED		15

DWG STATUS					REVISION HISTORY				AUTH	DR	APVD1	APVD2
DATE	STG	REV	N/P	CHG	ZONE							
10SE03	R	01	-	-		CREATED PART DRAWING		245864	LMB	LMB	SCH	
240C03	R	02	-	-		UPDATED REVISION LEVEL IN CHART.		247535	LMB	LMB	RF	
26JN07	R	03	-	-		ADDED PN 15369015, REVISED SHEET NO, REVISED MAT'L WAS PM003659-A23, ADDED APPLICATION COLUMN, REMOVED COLUMN "LOWER CONTACT TYPE" AND "REF P/N EPEC", REVISED "TYPE" LABEL WAS TYPE 1 AND 2, REVISED INSPECT SYMBOL		401146	ETG	CMO	ASG	
16JN10	R	04	-	-		ADDED PN 13793741		409252	CPD	SCS	ASG	
24FE12	R	05	-	-		ALL PARTS - UPDATED PDM ATTRIBUTES		417234	JCF	JVM	OAF	

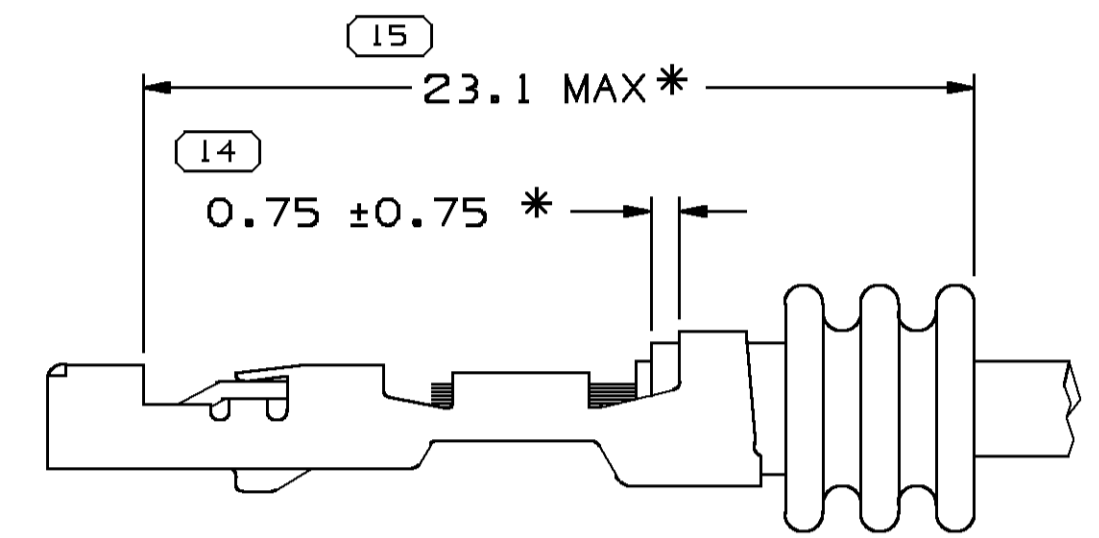


INSULATION WINGS FOR (SEE CHART) MAX INSULATION DIA

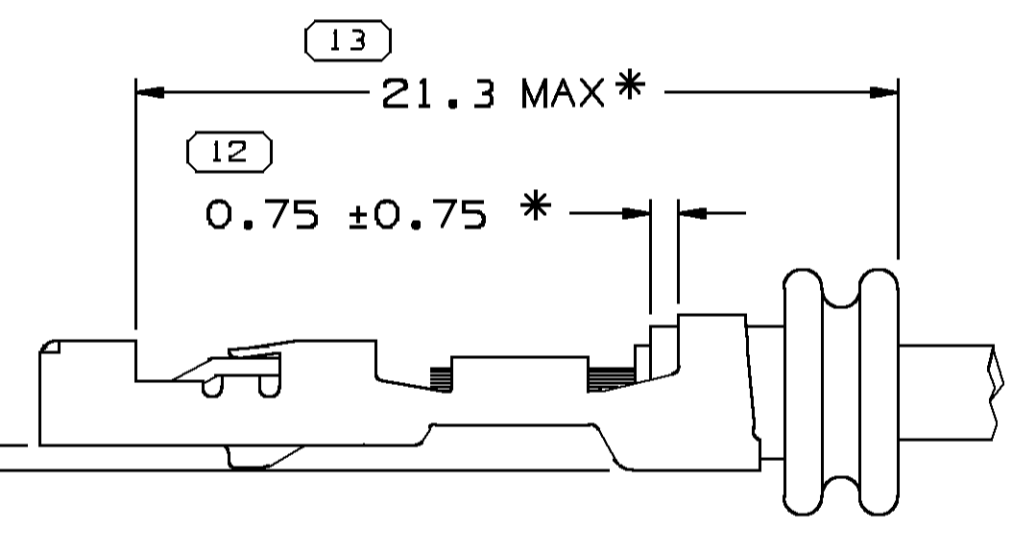
CONDUCTOR WINGS FOR (SEE CHART) MM² CABLE



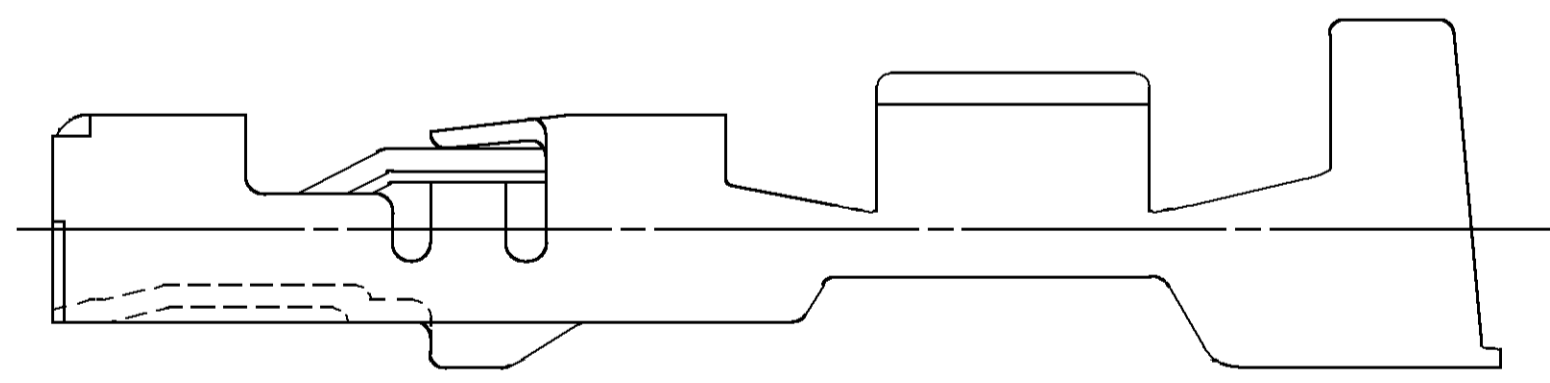
TYPE 201



3 RIB SEAL POSITION REF SCALE 5:1



2 RIB SEAL POSITION REF AND TERMINAL & CABLE ALIGNMENT SCALE 5:1



TYPE 202

NOTES

- UNLESS OTHERWISE SPECIFIED AND/OR INDICATED: DIMENSIONS ARE TO FACE OF VIEW SHOWN AND AUTOMATICALLY ROUNDED BY COMPUTER FOR INSPECTION (SEE MATH MODEL FOR PRECISE DIMENSIONS). FOR ALL OTHER DIMENSIONS NOT SHOWN BUT REQUIRED FOR TOOL BUILD, SEE MATH MODEL FOR PRECISE TOOL PATH DATA.
- MATING COMPONENTS OR EQUIVALENT: TERMINAL 15304704
- * DENOTES DIMENSIONS MADE AT CUT-OFF AND CRIMP DIE.

PART NO	REV	N/P	STATUS	MAT'L SIZE	MAT'L SPEC	SIZE (MM ²)	ID	DIA	MAT'L SPEC	TYPE	DIA
13793741	01	AA	-	0.3 X 27.38	SN PLATED COPPER ALLOY	1 - 1.5	16	2.4 - 1.9	SEALED (MINI)	201	2.95
15369015	12	AA	-	0.3 X 27.38	AU PLATED COPPER ALLOY	0.75 - 1	17	2.1 - 1.7	SEALED (MINI)	201	2.65
15396680	02	AB	-	0.3 X 27.38	SN PLATED COPPER ALLOY	0.35 - 0.5	21	1.85 - 1.2	SEALED (MINI)	202	2.1
15396679	02	AB	-	0.3 X 27.38	SN PLATED COPPER ALLOY	0.75 - 1	17	2.1 - 1.7	SEALED (MINI)	202	2.65
15396678	02	AB	-	0.3 X 27.38	SN PLATED COPPER ALLOY	0.5 - 1	17	2.1 - 1.4	SEALED (150MP)	201	2.65
15396677	02	AB	-	0.3 X 27.38	SN PLATED COPPER ALLOY	1 - 1.5	16	2.4 - 1.9	SEALED (150MP)	201	2.95
15396676	02	AB	-	0.3 X 27.38	SN PLATED COPPER ALLOY	1.5 - 2.5	14	3 - 2.2	SEALED (150MP)	201	3.75

DIMENSIONAL RANGE (MM)	CHART 'D'
FROM 0 TO 12	>12
TOLERANCE UNLESS OTHERWISE SPECIFIED	
±0.1	±0.2
ANGULAR TOLERANCE ±2°	

DWG TYPE		PART DRAWING	
STYLE		DISTR CODE	D
UNLESS OTHERWISE SPECIFIED			
THIS DOCUMENT IS IN ACCORDANCE WITH ASME Y14.5M-1994 AS AMENDED BY THE 0M GLOBAL DIMENSIONING AND TOLERANCING ADDENDUM - 1997. ALL GEOMETRIC TOLERANCES AND RELATED DATUMS APPLY RFS. RULE #1 (PERFECT FORM AT MMPI) DOES NOT APPLY WHEN RELATIONSHIP BETWEEN FEATURES IS ESTABLISHED BY ORIENTATION OR LOCATION TOLERANCES. SEPARATE POSITION CALLOUTS MAY BE GAGED SEPARATELY, REGARDLESS OF DATUM REFERENCE. ALL DIMENSIONS ARE IN MILLIMETERS			
THIRD ANGLE PROJECTION	DO NOT SCALE	USE MATH DATA	NX

DELPHI
DELPHI PACKARD ELECTRICAL/ELECTRONIC ARCHITECTURE
WARREN, OH

DR	DATE
L.M. BASKIN	10SE03
APVD1 L.M. BASKIN	10SE03
APVD2 L.M. BASKIN	10SE03
APVD3 E. HSIEH	10SE03
APVD4	
APVD5	

SUBSTANCES OF CONCERN AND RECYCLED CONTENT PER DELPHI 10949001

MATERIAL SEE CHART

DRAWING NAME TAXI TERM F GT 150 SEALED

DRAWING NUMBER 15305538

SIZE	SCALE	FRAME NO	SHEET NO	STG	REV	N/P
A1	10:1	1 OF 1	2 OF 2	R	05	-