

EASY Intelligent Relays



Product Overview

The EASY Intelligent Relays combine timers, relays, counters, special functions, inputs and outputs into one compact device that is easily programmed. The EASY family of products provides an exception level of flexibility together with substantial savings of commissioning time and effort.

The EASY Intelligent Relays are available in more than 35 styles that support from 12 I/O up to a network of up to 320 I/O points providing the ideal solution for lighting, energy management, industrial control, irrigation, pump control, HVAC and home automation.

Once EASY products are installed, changes are easily accomplished through front panel programming, eliminating the need to change wiring and minimizing downtime.

Contents

Description

	<i>Page</i>
EASY Intelligent Relays	
EASY500/700/800 Intelligent Relays	V7-T40-20
EASY/MFD Expansion Modules	V7-T40-25
MFD Intelligent Relays	V7-T40-28
EASY/MFD Communication Modules	V7-T40-33
EASY/MFD Power Supplies, Accessories and Software	V7-T40-36



Drawings
Online

Application Description

The EASY Intelligent Relays excel in traditional applications where multiple relays, timers and pushbuttons are used. Applications span residential, commercial and industrial installations.

Typical control applications are:

- Car washes
- Automatic doors
- Commercial and residential lighting
- Pump control
- 12 Vdc automotive
- Greenhouse
- Machinery
- Irrigation
- Heating and air conditioning

EASY500/700/800 Intelligent Relays



EASY500/700/800 Intelligent Relays

Product Description

Three families make up the EASY Intelligent Relay product line.

EASY500 Series—for controlling small applications with up to 12 input/output signals. Models are available with and without displays. DIN rail mounted.

EASY700 Series—for controlling medium-sized applications with 20 I/O points (expandable to 40 I/O points). DIN rail mounted.

EASY800 Series—for controlling large-scale applications with 20 points, expandable to 40 points locally, and expandable using the **EASY-NET** network up to 320 I/O points. Models are available with and without displays. DIN rail mounted.

The **EASY-NET** integrated network provides easy and inexpensive linking of up to eight EASY800 devices over a distance of up to 1000 meters. Each EASY800 device can run its own program, or be used as a distributed input/output module. Connect up to eight controllers with up to 40 I/O to obtain 320 I/O.

Standards and Certifications

- EN 50178
- IEC/EN 60947
- UL
- CSA
- CSA Class I, Div. 2, Groups A, B, C, D; Temp. Code T3C

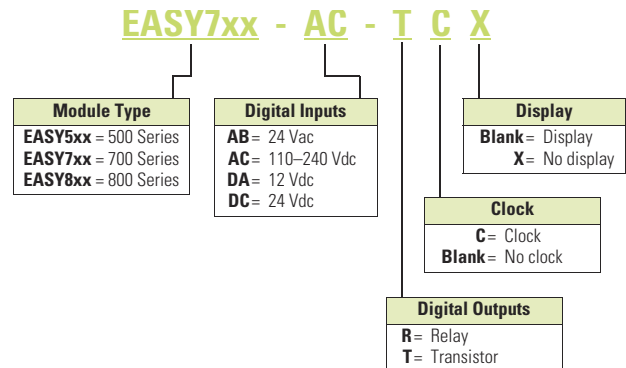


Contents

Description	Page
EASY500/700/800 Intelligent Relays	
Product Selection	V7-T40-21
Technical Data and Specifications	V7-T40-22
Dimensions	V7-T40-23
EASY/MFD Expansion Modules	V7-T40-25
MFD Intelligent Relays	V7-T40-28
EASY/MFD Communication Modules	V7-T40-33
EASY/MFD Power Supplies, Accessories and Software	V7-T40-36

Catalog Number Selection

EASY500/700/800



Note: Not all combinations are possible. See selection tables.

Product Selection

EASY500 Intelligent Relays

Description	Inputs					Outputs		Catalog Number	
	24 Vac	110–240 Vac	12 Vdc	24 Vdc	Analog ^①	Relay	Transistor		
EASY500 with Display									
Display									
12 I/O, no clock	—	8	—	—	—	4	—	EASY512-AC-R	
	—	—	—	8	2	4	—	EASY512-DC-R	
	12 I/O, clock	8	—	—	—	2	4	—	EASY512-AB-RC
		—	8	—	—	—	4	—	EASY512-AC-RC
		—	—	8	—	2	4	—	EASY512-DA-RC
		—	—	—	8	2	4	—	EASY512-DC-RC
—	—	—	8	2	—	4	EASY512-DC-TC		
EASY500 without Display									
No Display									
12 I/O, clock	8	—	—	—	2	4	—	EASY512-AB-RCX	
	—	8	—	—	—	4	—	EASY512-AC-RCX	
	—	—	8	—	2	4	—	EASY512-DA-RCX	
	—	—	—	8	2	4	—	EASY512-DC-RCX	
	—	—	—	8	2	—	4	EASY512-DC-TCX	

EASY700 Intelligent Relays

Description	Inputs					Outputs		Catalog Number
	24 Vac	110–240 Vac	12 Vdc	24 Vdc	Analog ^①	Relay	Transistor	
EASY700 with Display								
Display								
18 I/O, clock	12	—	—	—	4	6	—	EASY719-AB-RC
	—	12	—	—	—	6	—	EASY719-AC-RC
	—	—	12	—	4	6	—	EASY719-DA-RC
	—	—	—	12	4	6	—	EASY719-DC-RC
20 I/O, clock	—	—	—	12	4	—	8	EASY721-DC-TC
EASY700 without Display								
No Display								
18 I/O, clock	12	—	—	—	4	6	—	EASY719-AB-RCX
	—	12	—	—	—	6	—	EASY719-AC-RCX
	—	—	12	—	4	6	—	EASY719-DA-RCX
	—	—	—	12	4	6	—	EASY719-DC-RCX
	20 I/O, clock	—	—	—	12	4	—	8

EASY800 Intelligent Relays

Description	Inputs			Outputs			Catalog Number
	110–240 Vac	24 Vdc	Analog ^①	Relay	Transistor	Analog	
EASY800 with Display							
Display							
18 I/O, clock	12	—	—	6	—	—	EASY819-AC-RC
	—	12	4	6	—	—	EASY819-DC-RC
19 I/O, clock	—	12	4	6	—	1	EASY820-DC-RC
20 I/O, clock	—	12	4	—	8	—	EASY821-DC-TC
21 I/O, clock	—	12	4	—	8	1	EASY822-DC-TC
EASY800 without Display							
No Display							
18 I/O, clock	12	—	—	6	—	—	EASY819-AC-RCX
	—	12	4	6	—	—	EASY819-DC-RCX
19 I/O, clock	—	12	4	6	—	1	EASY820-DC-RCX
20 I/O, clock	—	12	4	—	8	—	EASY821-DC-TCX
21 I/O, clock	—	12	4	—	8	1	EASY822-DC-TCX

Note

① Analog inputs optional. Use of analog inputs will result in a decrease in the same number of available digital inputs.

Technical Data and Specifications

EASY500 Series

Type	EASY512-AB...	EASY512-AC...	EASY512-DA...	EASY512-DC-R...	EASY512-DC-TC.
Supply voltage	24 Vac	100–240 Vac	12 Vdc	24 Vdc	24 Vdc
Heat dissipation	5 VA	5 VA	2W	2W	2W
Continuous current outputs ^①	8A	8A	8A	8A	0.5A
Short-circuit proof with power factor 1	Line protection B16, 600 A				—
Short-circuit proof with power factor 0.7...0.7	Line protection B16, 900 A				—
Mounting	On top-hat rail to DIN 50022, 35 mm or screw mounting with ZB4-101-GF1 fixing brackets				
Connection cables					
Solid	0.2–4.0 mm ² (AWG 22-12)	0.2–4.0 mm ² (AWG 22-12)	0.2–4.0 mm ² (AWG 22-12)	0.2–4.0 mm ² (AWG 22-12)	0.2–4.0 mm ² (AWG 22-12)
Flexible	0.2–2.5 mm ² (AWG 22-12)	0.2–2.5 mm ² (AWG 22-12)	0.2–2.5 mm ² (AWG 22-12)	0.2–2.5 mm ² (AWG 22-12)	0.2–2.5 mm ² (AWG 22-12)
Degree of protection	IP 20	IP 20	IP 20	IP 20	IP 20
RFI suppression	EN 55011, EN 55022 Class B, IEC 61000-6-1, 2, 3, 4				
Ambient operating temperature	–25 to 55°C	–25 to 55°C	–25 to 55°C	–25 to 55°C	–25 to 55°C
Transport and storage temperature	–40 to 70°C	–40 to 70°C	–40 to 70°C	–40 to 70°C	–40 to 70°C
Hazardous location	CSA Class I, Div. 2, Groups A, B, C, D; Temp. Code T3C				

EASY700 Series

Type	EASY719-AB...	EASY719-AC...	EASY719-DA...	EASY719-DC-RC...	EASY721-DC-TC.
Supply voltage	24 Vac	100–240 Vac	12 Vdc	24 Vdc	24 Vdc
Heat dissipation	7 VA	10 VA	3.5W	3.5W	3.5W
Continuous current outputs ^①	8A	8A	8A	8A	0.5A
Short-circuit proof with power factor 1	Line protection B16, 600A	Line protection B16, 600A	Line protection B16, 600A	Line protection B16, 600A	—
Short-circuit proof with power factor 0.7...0.7	Line protection B16, 900A	Line protection B16, 900A	Line protection B16, 900A	Line protection B16, 900A	—
Mounting	On top-hat rail to DIN 50022, 35 mm or screw mounting with ZB4-101-GF1 fixing brackets				
Connection cables					
Solid	0.2–4.0 mm ² (AWG 22-12)	0.2–4.0 mm ² (AWG 22-12)	0.2–4.0 mm ² (AWG 22-12)	0.2–4.0 mm ² (AWG 22-12)	0.2–4.0 mm ² (AWG 22-12)
Flexible	0.2–2.5 mm ² (AWG 22-12)	0.2–2.5 mm ² (AWG 22-12)	0.2–2.5 mm ² (AWG 22-12)	0.2–2.5 mm ² (AWG 22-12)	0.2–2.5 mm ² (AWG 22-12)
Degree of protection	IP 20	IP 20	IP 20	IP 20	IP 20
RFI suppression	EN 55011, EN 55022 Class B, IEC 61000-6-1, 2, 3, 4				
Ambient operating temperature	–25 to 55°C	–25 to 55°C	–25 to 55°C	–25 to 55°C	–25 to 55°C
Transport and storage temperature	–40 to 70°C	–40 to 70°C	–40 to 70°C	–40 to 70°C	–40 to 70°C
Hazardous location	CSA Class I, Div. 2, Groups A, B, C, D; Temp. Code T3C				

EASY800 Series

Type	EASY819-AC...	EASY819-DC-RC...	EASY820-DC-RC...	EASY821-DC-TC...	EASY822-DC-TC.
Supply voltage	100–240 Vac	24 Vdc	24 Vdc	24 Vdc	24 Vdc
Heat dissipation	10 VA	3.4W	3.4W	3.4W	3.4W
Continuous current outputs ^①	8A	8A	8A	8A	0.5A
Short-circuit proof with power factor 1	Line protection B16, 600A	Line protection B16, 600A	Line protection B16, 600A	Line protection B16, 600A	—
Short-circuit proof with power factor 0.7...0.7	Line protection B16, 900A	Line protection B16, 900A	Line protection B16, 900A	Line protection B16, 900A	—
Mounting	On top-hat rail to DIN 50022, 35 mm or screw mounting with ZB4-101-GF1 fixing brackets				
Connection cables					
Solid	0.2–4.0 mm ² (AWG 22-12)	0.2–4.0 mm ² (AWG 22-12)	0.2–4.0 mm ² (AWG 22-12)	0.2–4.0 mm ² (AWG 22-12)	0.2–4.0 mm ² (AWG 22-12)
Flexible	0.2–2.5 mm ² (AWG 22-12)	0.2–2.5 mm ² (AWG 22-12)	0.2–2.5 mm ² (AWG 22-12)	0.2–2.5 mm ² (AWG 22-12)	0.2–2.5 mm ² (AWG 22-12)
Degree of protection	IP 20	IP 20	IP 20	IP 20	IP 20
RFI suppression	EN 55011, EN 55022 Class B, IEC 61000-6-1, 2, 3, 4				
Ambient operating temperature	–25 to 55°C	–25 to 55°C	–25 to 55°C	–25 to 55°C	–25 to 55°C
Transport and storage temperature	–40 to 70°C	–40 to 70°C	–40 to 70°C	–40 to 70°C	–40 to 70°C
Hazardous location	CSA Class I, Div. 2, Groups A, B, C, D; Temp. Code T3C				

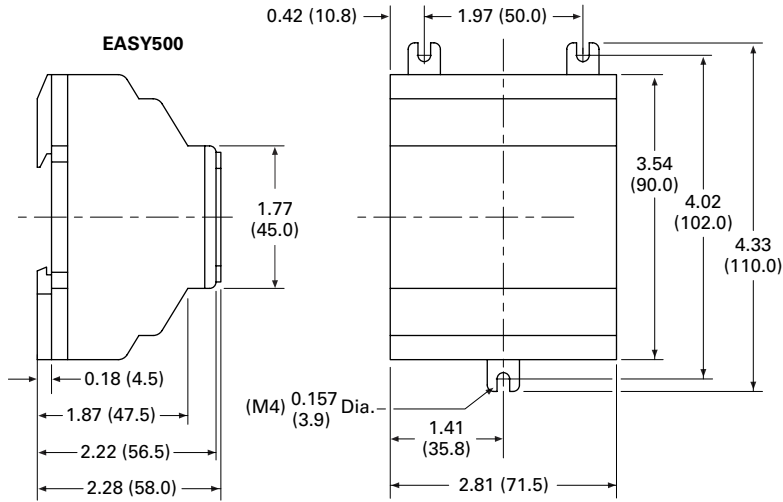
Note

^① Relay = 8A (10A to UL) with resistive load, 3A with inductive load. Transistor outputs = 0.5A/24 Vdc, maximum four outputs switchable in parallel.

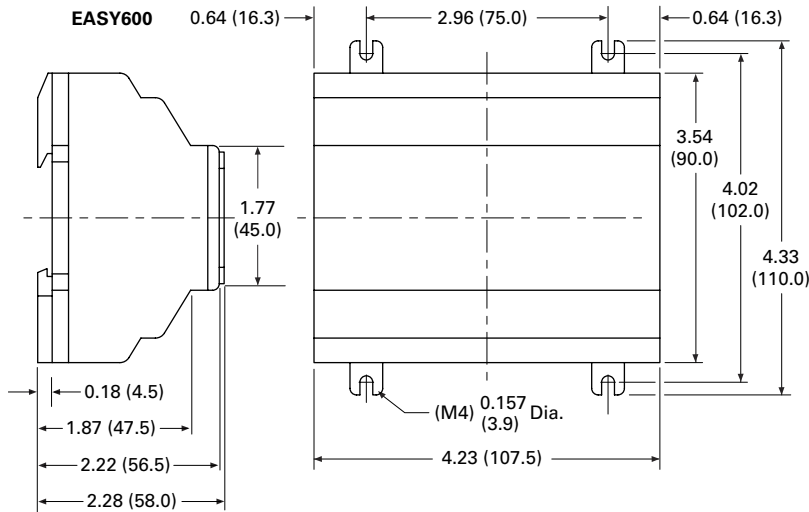
Dimensions

Approximate Dimensions in Inches (mm)

EASY500 Series, Drawing Number MD05013001E



EASY700 Series, Drawing Number MD05013002E



40.3

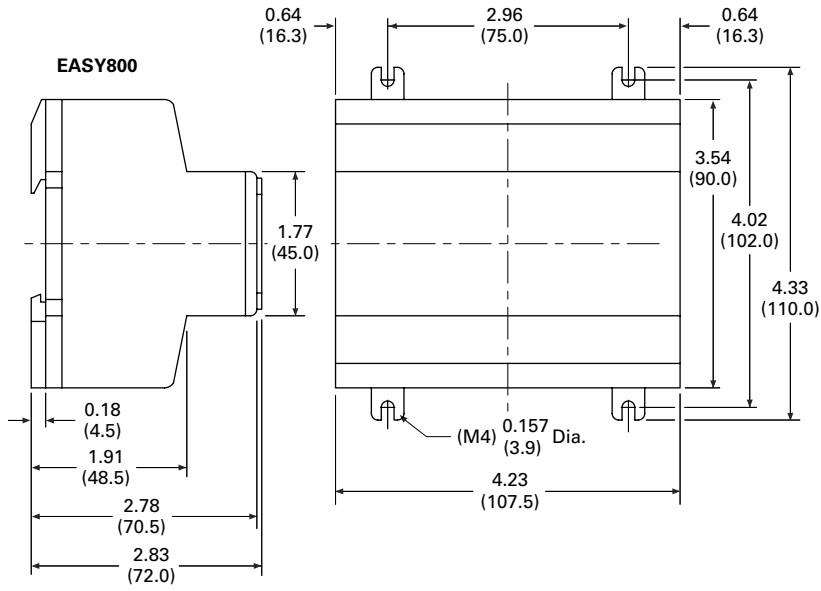
Control Relays and Timers

EASY Intelligent Relays

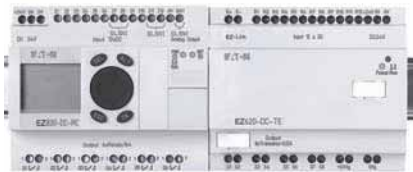
Approximate Dimensions in Inches (mm)

EASY800 Series, Drawing Number MD05013003E

40



EASY/MFD Expansion Modules



EASY/MFD Expansion Modules

Product Description

Expansion modules are available for increasing the input/output of the EASY700/800 and MFD intelligent relays to 24 inputs and up to 16 outputs. Expansion modules can be mounted directly to the EASY/MFD unit or up to 98 ft. (30 m) away using coupling module EASY200-EASY.

Product Selection

EASY202-RE

EASY700/800/MFD I/O Expansion Modules ^①

Description	Inputs		Outputs		Catalog Number
	110–240 Vac	24 Vdc	Relay	Transistor	
2 I/O expansion	—	—	2	—	EASY202-RE
18 I/O expansion	12	—	6	—	EASY618-AC-RE
		12	6	—	EASY618-DC-RE
20 I/O expansion	—	12	—	8	EASY620-DC-TE
Coupling module for remote mounting of expansion modules					EASY200-EASY

Note

^① All expansion modules include one EASY-LINK-DS.

Contents

Description	Page
EASY500/700/800 Intelligent Relays	V7-T40-20
EASY/MFD Expansion Modules	
Technical Data and Specifications	V7-T40-26
Dimensions	V7-T40-27
MFD Intelligent Relays	V7-T40-28
EASY/MFD Communication Modules	V7-T40-33
EASY/MFD Power Supplies, Accessories and Software	V7-T40-36

Technical Data and Specifications

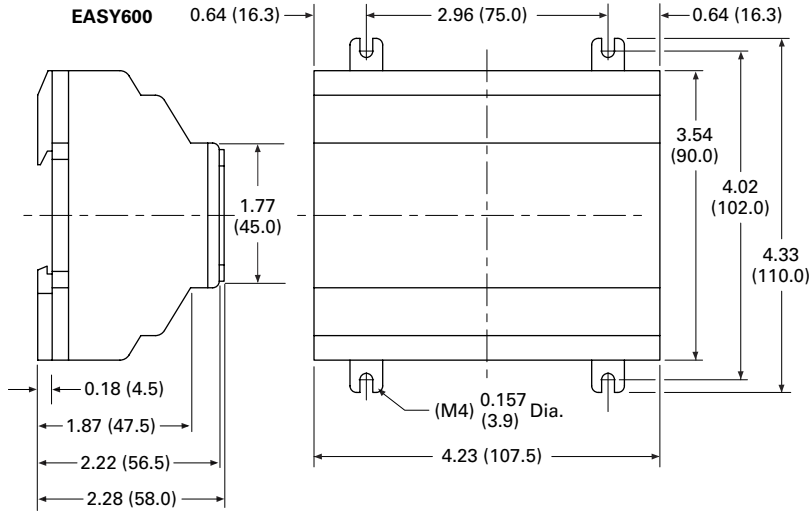
EASY700/800/MFD I/O Expansion Modules

Type	EASY202-RE	EASY618-AC-RE	EASY618-DC-RE	EASY620-DC-TE	EASY200-EASY
Supply voltage	—	100 – 240 Vac	24 Vac	24 Vac	—
Heat dissipation	1W	10 VA	4W	4W	1W
Continuous current outputs ^①	8A	8A	8A	0.5A	—
Short-circuit proof with power factor 1	Line protection B16, 600A	Line protection B16, 600A	Line protection B16, 600A	Line protection B16, 600A	—
Short-circuit proof with power factor 0.7...0.7	Line protection B16, 900A	Line protection B16, 900A	Line protection B16, 900A	Line protection B16, 900A	—
Connection cables					
Solid	0.2–4.0 mm ² (AWG 22-12)	0.2–4.0 mm ² (AWG 22-12)	0.2–4.0 mm ² (AWG 22-12)	0.2–4.0 mm ² (AWG 22-12)	0.2–4.0 mm ² (AWG 22-12)
Flexible	0.2–2.5 mm ² (AWG 22-12)	0.2–2.5 mm ² (AWG 22-12)	0.2–2.5 mm ² (AWG 22-12)	0.2–2.5 mm ² (AWG 22-12)	0.2–2.5 mm ² (AWG 22-12)
Degree of protection	IP20	IP20	IP20	IP20	IP20
RFI suppression	EN 55011, EN 55022 Class B, IEC 61000-6-1,2,3,4				
Ambient operating temperature	–25° to 55°C	–25° to 55°C	–25° to 55°C	–25° to 55°C	–25° to 55°C
Transport and storage temperature	–40° to 70°C	–40° to 70°C	–40° to 70°C	–40° to 70°C	–40° to 70°C
Certification, standards	EN 50178, IEC/EN 60947, UL, CSA				
Mounting	On top-hat rail to DIN 50022, 35 mm or screw mounting with ZB4-101-GF1 fixing brackets				

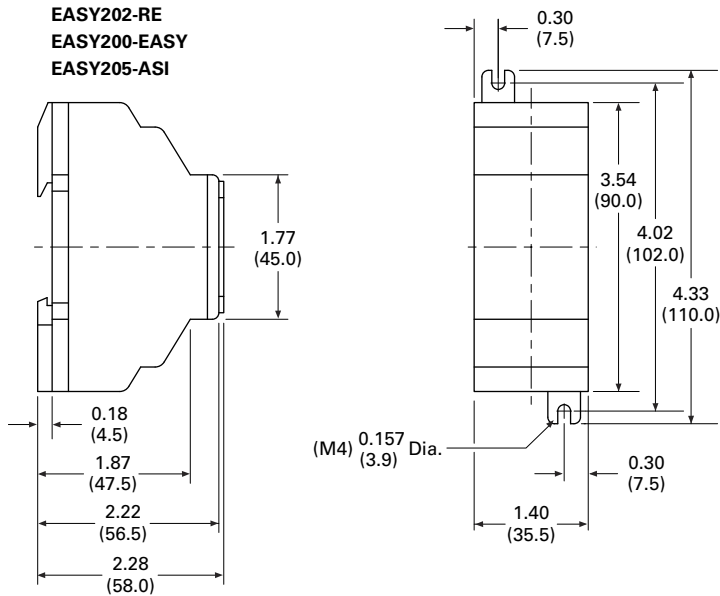
Dimensions

Approximate Dimensions in Inches (mm)

EASY600 Series, Drawing Number MD05013002E



EASY202-RE/EASY200-EASY/EASY205-ASI Series, Drawing Number MD05013012E



MFD Intelligent Relays



MFD Intelligent Relays

Product Description

MFD Intelligent Relays are comprised of three parts, a display, a controller, and an I/O module. Match each piece to the needs of your application. If you need to both monitor and modify parameters within your application, choose the MFD-80-B. The preprogrammed and user programmable buttons give you the capability to make small changes to the way your application is running, start or stop a process, or change your program completely. Select a controller with or without **EASY-NET** support, and with AC or DC power. Finally, add the MFD I/O module that best suits your application.

MFD Series—for controlling small applications that require graphic visualization and for large-scale applications with 20 points, expandable to 40 points locally, and expandable using the **EASY-NET** network up to 320 I/O points. The MFD display can be linked to the EASY500/700/800 models to provide an enhanced text based operator interface. Panel mounted.

The **EASY-NET** integrated network provides easy and inexpensive linking of up to eight MFD devices over a distance of up to 1000 meters. Each MFD device can run its program, or be used as a distributed input/output module. Connect up to eight controllers with up to 40 I/O to obtain 320 I/O.

Contents

<i>Description</i>	<i>Page</i>
EASY500/700/800 Intelligent Relays	V7-T40-20
EASY/MFD Expansion Modules	V7-T40-25
MFD Intelligent Relays	
Product Selection	V7-T40-29
Technical Data and Specifications	V7-T40-30
Dimensions	V7-T40-31
EASY/MFD Communication Modules	V7-T40-33
EASY/MFD Power Supplies, Accessories and Software	V7-T40-36

Standards and Certifications

- EN 50178
- IEC/EN 60947
- UL
- CSA
- CSA Class I, Div. 2, Groups A, B, C, D; Temp. Code T3C



Product Selection

MFD-80-B



MFD Displays (MFD-80)

Description	Catalog Number
MFD, no buttons	MFD-80
MFD, buttons (shown)	MFD-80-B

MFD-CP8



MFD Controllers (MFD-CP8)

Description	Catalog Number
MFD CPU with 24 Vdc, power supply, clock	MFD-CP8-ME
MFD CPU with 24 Vdc, power supply, clock, EASY-NET	MFD-CP8-NT
MFD CPU with 100–240 Vac, power supply, clock	MFD-AC-CP8-ME
MFD CPU with 100–240 Vac, power supply, clock, EASY-NET	MFD-AC-CP8-NT

MFD-R16



MFD I/O Modules

Description	Inputs ^①			Outputs			Catalog Number
	110–240 Vac	24 Vdc	Analog	Relay	Transistor	Analog	
16 I/O	12	—	—	4	—	—	MFD-AC-R16
	—	12	4	4	—	—	MFD-R16
	—	12	4	—	4	—	MFD-T16
17 I/O	—	12	4	4	—	1	MFD-RA17
	—	12	4	—	4	1	MFD-TA17

MFD-CP4-800 Attached to EASY-80 Display and EASY800 Unit

MFD Display to EASY Communication Modules (MFD-CP4) ^②

Description	Catalog Number
MFD display to EASY500/700 DC communication module with EASY500/700 communication cable (MFD-CP4-500-CAB5)	MFD-CP4-500
MFD display to EASY500/700 AC communication module with EASY500/700 communication cable (MFD-CP4-500-CAB5)	MFD-AC-CP4-500
MFD display to EASY800 DC communication module with EASY800 communication cable (MFD-CP4-800-CAB5)	MFD-CP4-800
MFD display to EASY800 AC communication module with EASY800 communication cable (MFD-CP4-800-CAB5)	MFD-AC-CP4-800
Replacement communication module (all controllers—no cable)	MFD-CP4



MFD-80

+



MFD-CP8

+



MFD-I/O

=



MFD Assembly

Notes

For additional expansion, see EASY/MFD Expansion Modules on [Page V7-T40-26](#).

^① Analog inputs optional.

^② Link MFD displays to EASY 500/700 or 800 intelligent relays for text only cabinet door installations.

Technical Data and Specifications

MFD-80, MFD-CP4, MFD-CP8

Type	MFD-80...	MFD-CP4/CP8
Connection cables		
Solid	—	0.2–4.0 mm ² (AWG 22-12)
Flexible	—	0.2–2.5 mm ² (AWG 22-12)
Degree of protection	IP 65	IP 20
RFI suppression	EN 55011, EN 55022 Class B, IEC 61000-6-1, 2, 3, 4	EN 55011, EN 55022 Class B, IEC 61000-6-1, 2, 3, 4
Ambient operating temperature	Clearly legible at –5 to 50°C	–25 to 55°C
Transport and storage temperature	–40 to 70°C	–40 to 70°C
Hazardous location	CSA Class I, Div. 2, Groups A, B, C, D; Temp. Code T3C	CSA Class I, Div. 2, Groups A, B, C, D; Temp. Code T3C

MFD I/O Modules

Type	MFD-AC-R16	MFD-R16	MFD-RA17	MFD-T16	MFD-TA17
Supply voltage	Supply via MFD-CP8 module	Supply via MFD-CP8 module	Supply via MFD-CP8 module	Supply via MFD-CP8 module	Supply via MFD-CP8 module
Heat dissipation	0.5W	0.5W	0.5W	0.5W	0.5W
Continuous current outputs ^①	8A	8A	8A	0.5A	0.5A
Short-circuit proof with power factor 1	Line protection B16, 600A	Line protection B16, 600A	Line protection B16, 600A	—	—
Short-circuit proof with power factor 0.7...0.7	Line protection B16, 600A	Line protection B16, 600A	Line protection B16, 600A	—	—
Connection cables					
Solid	0.2–4.0 mm ² (AWG 22-12)	0.2–4.0 mm ² (AWG 22-12)	0.2–4.0 mm ² (AWG 22-12)	0.2–4.0 mm ² (AWG 22-12)	0.2–4.0 mm ² (AWG 22-12)
Flexible	0.2–2.5 mm ² (AWG 22-12)	0.2–2.5 mm ² (AWG 22-12)	0.2–2.5 mm ² (AWG 22-12)	0.2–2.5 mm ² (AWG 22-12)	0.2–2.5 mm ² (AWG 22-12)
Degree of protection	IP20	IP20	IP20	IP20	IP20
RFI suppression	EN 55011, EN 55022 Class B, IEC 61000-6-1,2,3,4				
Ambient operating temperature	–25 to 55°C	–25 to 55°C	–25 to 55°C	–25 to 55°C	–25 to 55°C
Transport and storage temperature	–40 to 70°C	–40 to 70°C	–40 to 70°C	–40 to 70°C	–40 to 70°C
Mounting	Snap fitted to MFD-CP8 module	Snap fitted to MFD-CP8 module	Snap fitted to MFD-CP8 module	Snap fitted to MFD-CP8 module	Snap fitted to MFD-CP8 module

MFD-CP4 and CP8 Communication Modules

Type	MFD-80...	MFD-CP4...	MFD-CP8...	MFD-AC-CP8...
Supply voltage	Supply from -CP	24 Vdc	24 Vdc	100–240 Vac
Heat dissipation	3W	1.5W	3W	8 VA
Mounting	Front mounting in 2 x 22.5 mm Standard drill holes	Snap fitted to MFD-80	Snap fitted to MFD-80 or on top-hat rail to DIN 50022, 35 mm or screw Mounting with ZB4-101-GF1 fixing brackets	

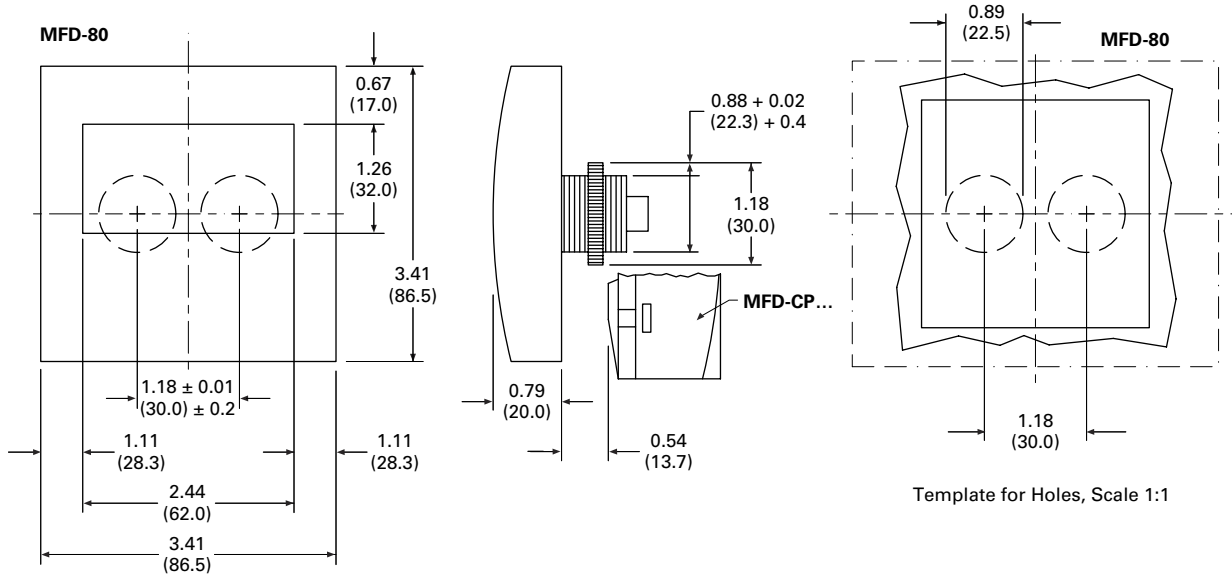
Note

- ^① Relay = 8A with resistive load, 3A with inductive load.
Transistor outputs = 0.5A/24 Vdc, maximum four outputs switchable in parallel.

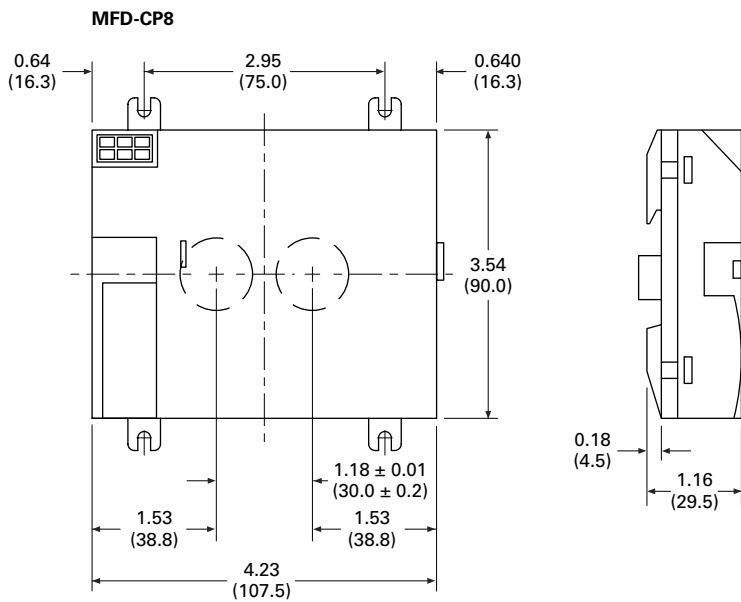
Dimensions

Approximate Dimensions in Inches (mm)

MFD-80 Series, Drawing Number MD05013005E



MFD-CP8 Series, Drawing Number MD05013006E



40.3

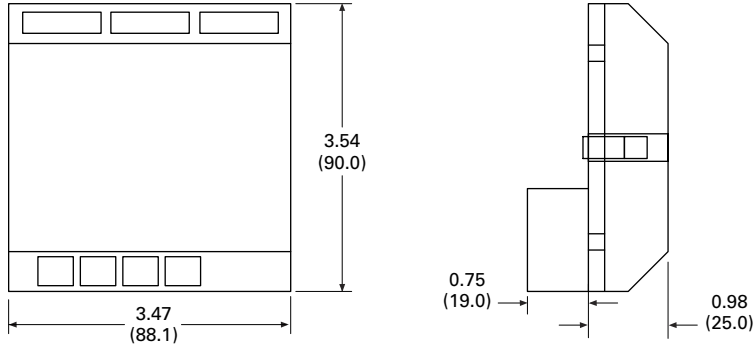
Control Relays and Timers

EASY Intelligent Relays

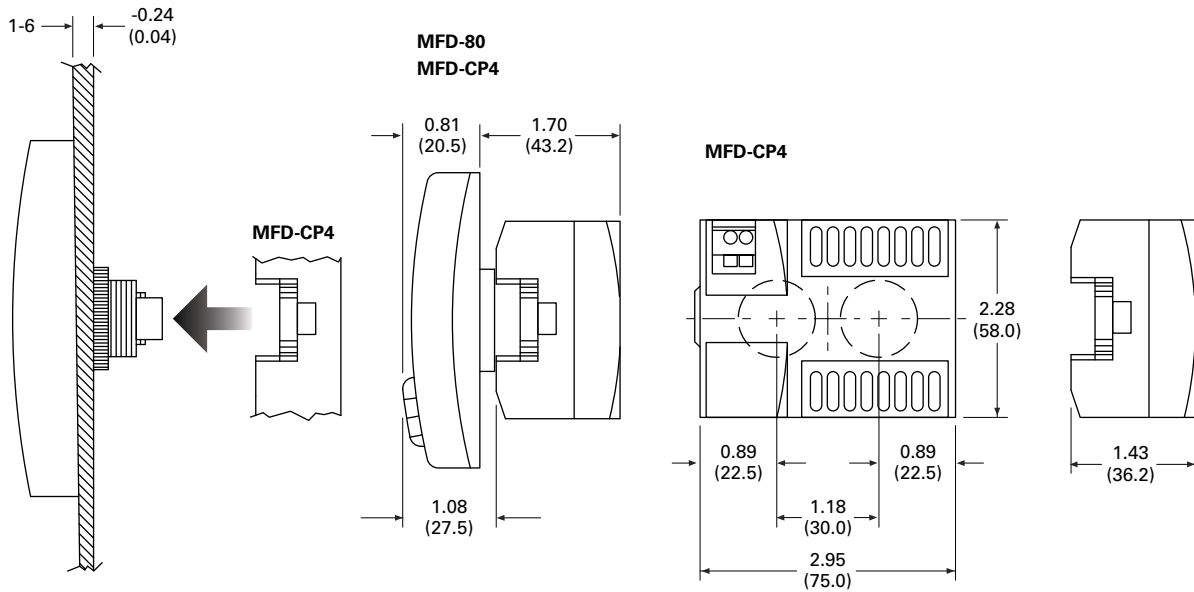
Approximate Dimensions in Inches (mm)

MFD-R/MFD-T I/O Module, Drawing Number MD05013007E

MFD-R and MFD-T I/O



MFD-CP4, MFD-80 and MFD-CP4 Series Combined, Drawing Number MD013013E



EASY/MFD Communication Modules



Contents

<i>Description</i>	<i>Page</i>
EASY500/700/800 Intelligent Relays	V7-T40-20
EASY/MFD Expansion Modules	V7-T40-25
MFD Intelligent Relays	V7-T40-28
EASY/MFD Communication Modules	
Technical Data and Specifications	V7-T40-34
Dimensions	V7-T40-35
EASY/MFD Power Supplies, Accessories and Software	V7-T40-36

EASY/MFD Communication Modules

Product Description

Five modules are available for easily connecting to world-standard networks. The communication modules can be used with the EASY700/800 and MFD intelligent relays.

Available communication modules support:

- PROFIBUS-DP
- AS-I (Actuator Sensor Interface) networks
- CANopen
- DeviceNet
- Ethernet (also compatible with EASY500)

All modules act as a gateway and operate exclusively as a slave station on the network.

Product Selection

EASY204-DP Communication Module



EASY Communication Interface Modules

Description	Catalog Number
PROFIBUS-DP slave interface module	EASY204-DP
AS-Interface slave with 4 in and 4 out interface module	EASY205-ASI
CANopen interface module	EASY221-CO
DeviceNet slave interface module	EASY222-DN
Ethernet Gateway	EASY209-SE

Technical Data and Specifications

EASY700/800/MFD Communication Interface Modules EASY204-DP, EASY205-ASI, EASY221-CO, EASY222-DN, EASY209-SE ①

Description	Specification
Supply voltage	24 Vdc
Heat dissipation ②	1W
Connection cables	
Solid	0.2 – 4.0 mm ² (AWG 22-12)
Flexible	0.2 – 2.5 mm ² (AWG 22-12)
Degree of protection	IP20
RFI suppression	EN 55011, EN 55022 Class B, IEC 61000-6-1,2,3,4
Ambient operating temperature	–25° to 55°C
Transport and storage temperature	–40° to 70°C
Certification, standards	EN 50178, IEC/EN 60947, UL, CSA
Mounting	On top-hat rail to DIN 50022, 35 mm or screw mounting with ZB4-101-GF1 fixing brackets

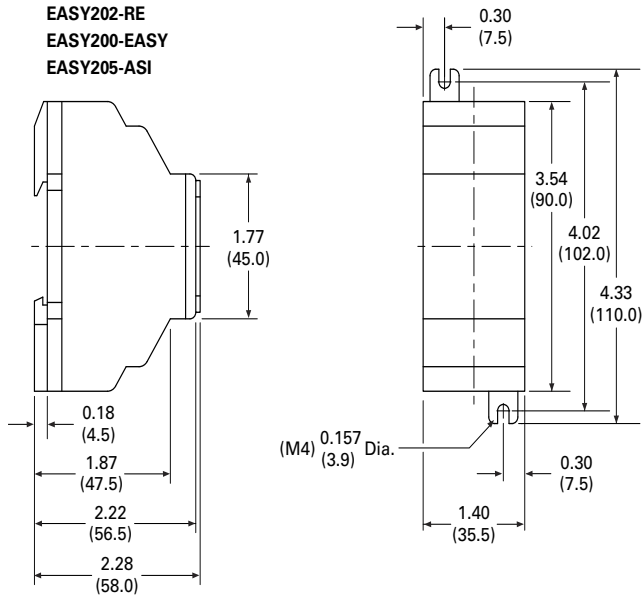
Notes

- ① EASY209-SE is also compatible with EASY500 Intelligent Relays.
- ② EASY204-DP dissipates 2W.

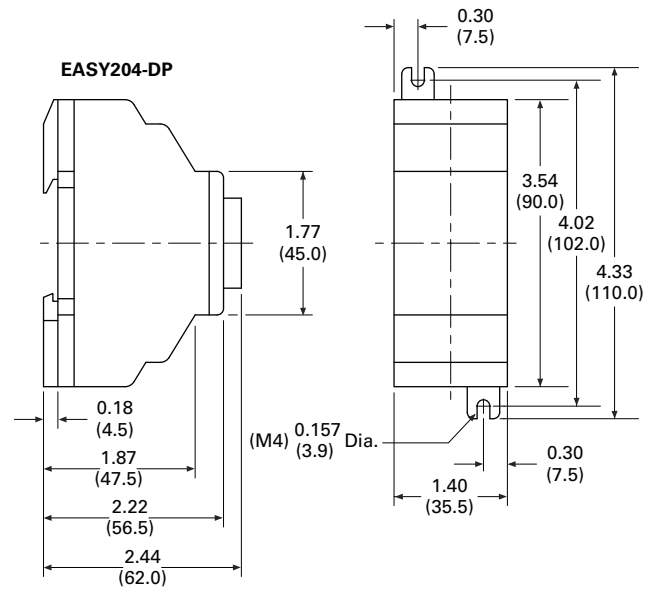
Dimensions

Approximate Dimensions in Inches (mm)

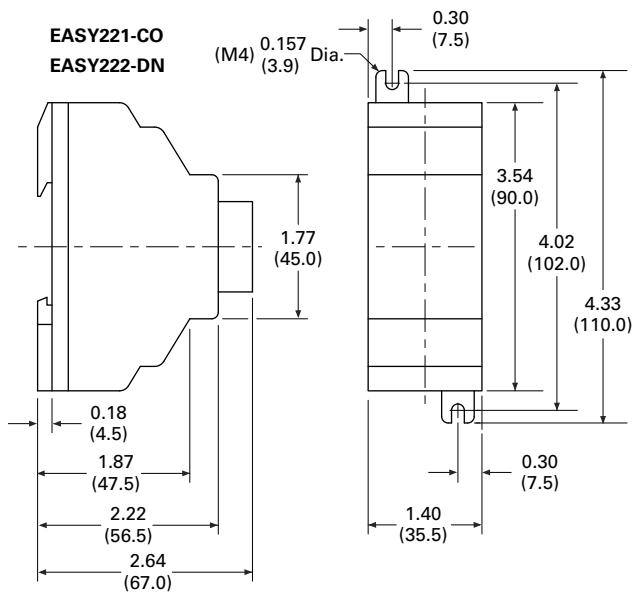
**EASY202-RE/EASY200-EASY/EASY205-ASI/
EASY209-SE Series, Drawing Number MD05013012E**



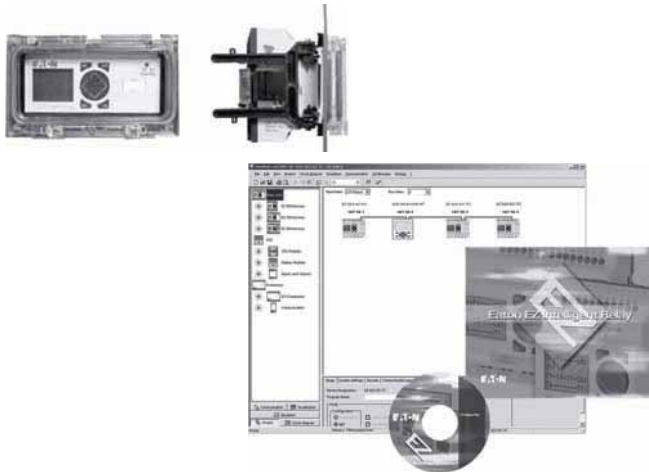
**EASY204-DP Series,
Drawing Number MD05013011E**



**EASY221-CO/EASY222-DN Series,
Drawing Number MD05013010E**



EASY/MFD Power Supplies, Accessories and Software



Contents

<i>Description</i>	<i>Page</i>
EASY500/700/800 Intelligent Relays	V7-T40-20
EASY/MFD Expansion Modules	V7-T40-25
MFD Intelligent Relays	V7-T40-28
EASY/MFD Communication Modules	V7-T40-33
EASY/MFD Power Supplies, Accessories and Software	
Accessories	V7-T40-37
Technical Data and Specifications	V7-T40-38
Wiring Diagram	V7-T40-38
Dimensions	V7-T40-39

EASY/MFD Power Supplies, Accessories and Software

Product Description

EASY/MFD Power Supplies

12 Vdc and 24 Vdc power supplies for applications where only 100–240 Vac is available.

EASY/MFD Accessories

Memory modules, cables and other components to complete your automation solutions.

EASYSoft Software

The EASYSoft software is used to program all of the EASY and MFD controllers and displays. The Windows®-based software provides straightforward circuit diagram input and editing and the diagrams can be displayed in the format desired. When EASY800 and MFD controllers are connected using EASY-NET, all connected devices can be accessed and their programs loaded from a single controller.

EASYSoft includes an integrated offline simulation tool that allows users to test a circuit diagram before commissioning.

Product Selection

EASY Power Supplies ①

Description	Catalog Number
100–240 Vac input to 12 Vdc at 20 mA/24 Vdc at 250 mA	EASY200-POW
100–240 Vac input to 24 Vdc at 1.25A	EASY400-POW

Note

① See Technical Data and Specifications on **Page V7-T40-38** for more information.

Accessories

EASY/MFD Memory Storage Modules

Description	Catalog Number
EASY500/700 32K memory storage module	EASY-M-32K
EASY800/MFD 256K memory storage module	EASY-M-256K

EASY/MFD Cables and Connectors

Description	Catalog Number
EASY500/700 to PC programming cable RS-232 from PC	EASY-PC-CAB
EASY800/MFD to PC programming cable RS-232 from PC	EASY800-PC-CAB
EASY500/700 to MFD-CP4 communication cable, 5m	MFD-CP4-500-CAB5
EASY800 to MFD-CP8 communication cable, 2m	MFD-800-CAB
EASY800 to MFD-CP8 communication cable, 5m	MFD-800-CAB5
EASY800 to MFD-CP4 communication cable, 5m	MFD-CP4-800-CAB5
EASY800/MFD EASY-NET cable, 0.3m networking cable	EASY-NT-30
EASY800/MFD EASY-NET cable, 0.8m networking cable	EASY-NT-80
EASY800/MFD EASY-NET cable, 1.5m networking cable	EASY-NT-150
EASY800/MFD network termination resistor, 2/pack	EASY-NT-R
EASY800/MFD EASY-NET cable (cable only, no connectors, see EASY-NT-RJ45), 100m	EASY-NT-CAB
RJ45 network connectors for EASY-NET cable (EASY-NT-CAB), 10/pack	EASY-NT-RJ45

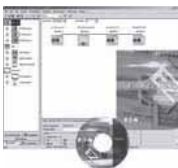
EASY700/500
Panel Window
and Mounting Kit

EASY/MFD Miscellaneous Parts

Description	Catalog Number
EASY500 relay simulator	EASY412-DC-SIM-NA
EASY500 panel window	SKF-FF4
EASY700/800 panel window	SKF-FF6
EASY500/700/800 panel window mounting kit to front mount units	SKF-HA
EASY/MFD panel mount brackets, 9/pack	ZB4-101-GF1
EASY/MFD grounding kit	ZB4-102-KS1
MFD display DIN rail mount kit	MFD-TS144
MFD display protective membrane cover	MFD-XM-80
MFD display protective plastic cover	MFD-XS-80
EASY/MFD six-channel high current input adapter ①	EASY256-HCI
EASY/MFD spare interface connector, base to expander	EASY-LINK-DS
EASY starter kit (includes EASY512-DC-RC, EASY-PC-CAB, EASY412-DC-SIM-NA, EASYSoft)	EASYSTARTKIT1

EASY Software

EASY Software



EASY/MFD Software

Description	Catalog Number
Programming software for EASY500/700/800 and MFD	EASYSOFT

Note

① See Technical Data and Specifications on [Page V7-T40-38](#) for more information.

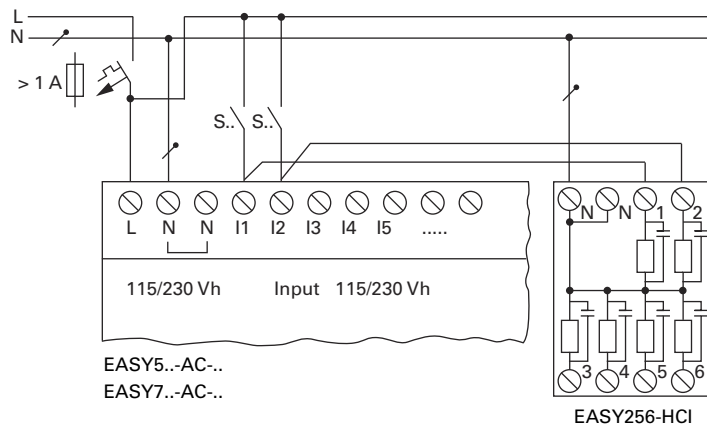
Technical Data and Specifications

EASY Power Supplies

Type	EASY200-POW	EASY400-POW
Supply voltage	100–240 Vac	100–240 Vac
Maximum range	85–264 Vac	85–264 Vac
Output voltage	24 Vdc (±3%)	24 Vdc (±3%)
Output current (rated value)	0.25A	1.25A
Overcurrent limitation form	0.3A	1.4A
Short-circuit proof (secondary)	Yes	Yes
Overload proof	Yes	Yes
Potential isolation (prim/sec.)	Yes, SELV, (to EN 600950, VDE 805)	Yes, SELV, (to EN 600950, VDE 805)
Others	Additional output voltage 12 DC, 20 mA	Additional output voltage 12 DC, 20 mA
Connection cables		
Solid	0.2–4.0 mm ² (AWG 22-12)	0.2–4.0 mm ² (AWG 22-12)
Flexible	0.2–2.5 mm ² (AWG 22-12)	0.2–2.5 mm ² (AWG 22-12)
Degree of protection	IP20	IP 20
RFI suppression	EN 55011, EN 55022 Class B, IEC 61000-6-1, 2, 3, 4	EN 55011, EN 55022 Class B, IEC 61000-6-1, 2, 3, 4
Ambient operating temperature	–25 to 55°C	–25 to 55°C
Transport and storage temperature	–40 to 70°C	–40 to 70°C
Mounting	On top-hat rail to DIN 50022, 35 mm or screw mounting with ZB4-101-GF1 fixing brackets	

Wiring Diagram

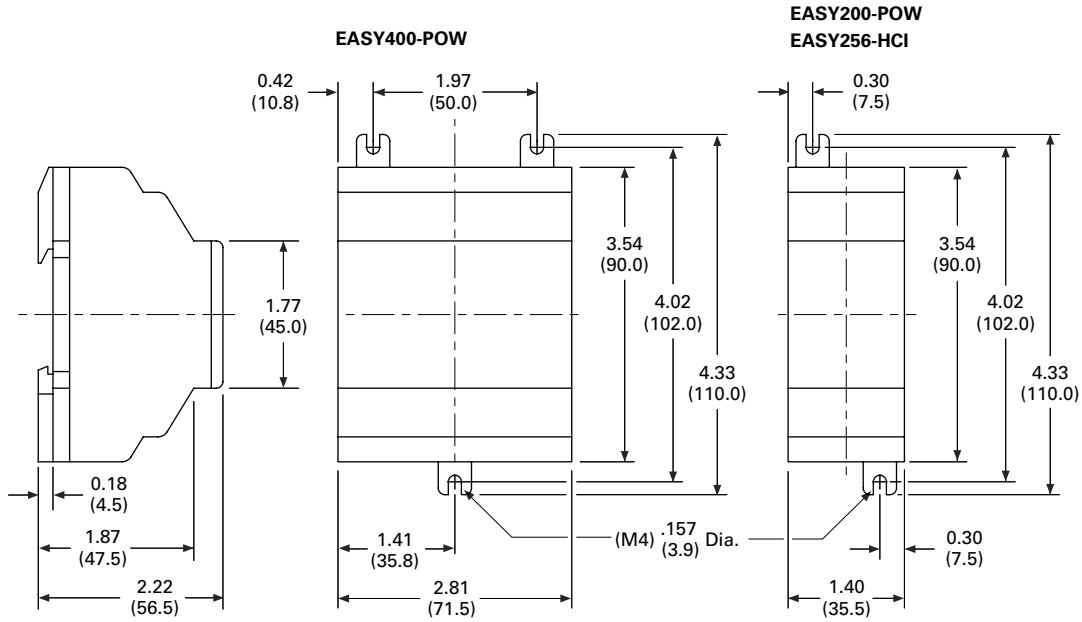
EASY256-HCI



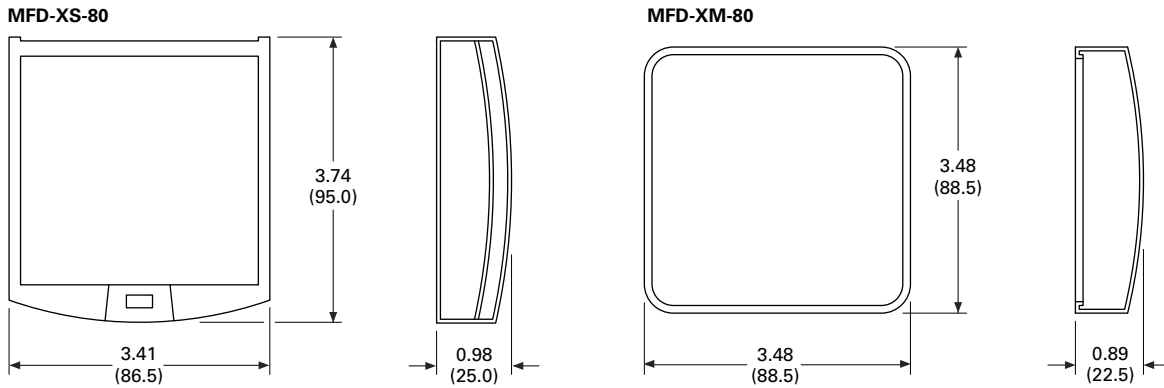
Dimensions

Approximate Dimensions in Inches (mm)

EASY200-POW/EASY256-HCI and EASY400-POW Series, Drawing Number MD05013004E



MFD-XS-80 and MFD-XM-80 Series, Drawing Number MD05013009E



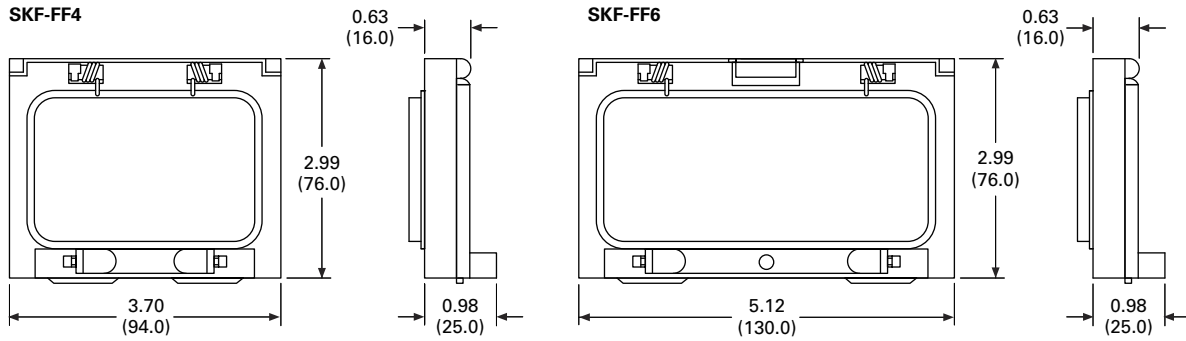
40.3

Control Relays and Timers

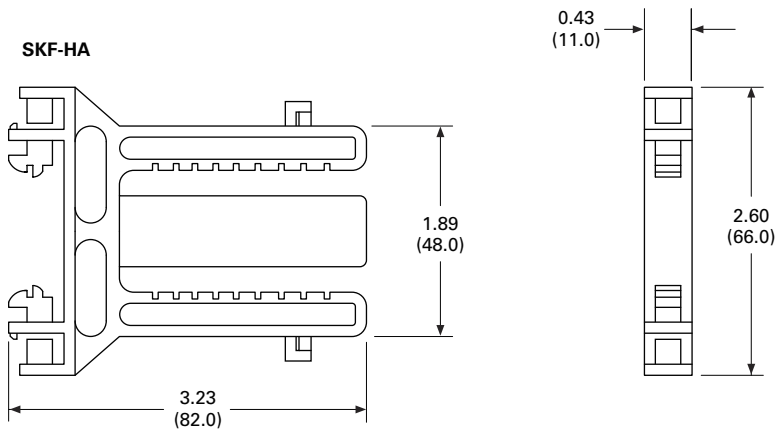
EASY Intelligent Relays

Approximate Dimensions in Inches (mm)

SKF-FF4 and SKF-FF6 Series, Drawing Number MD05013014E

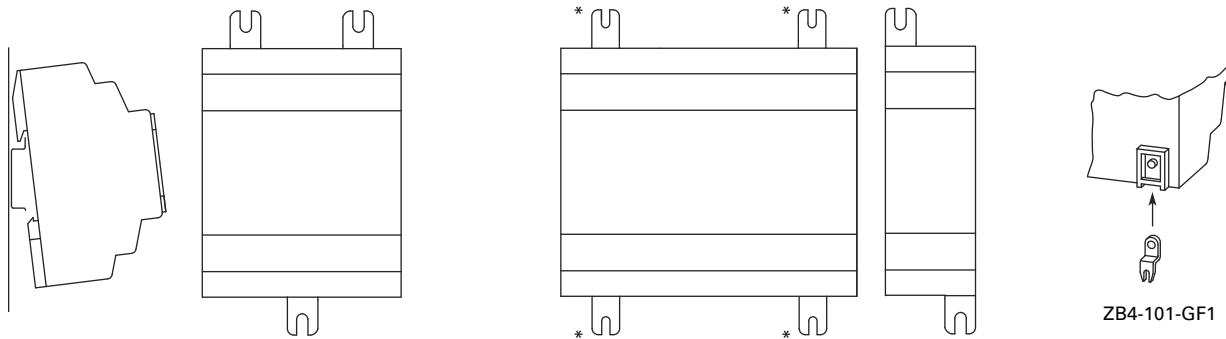


SKF-HA Series, Drawing Number MD05013015E



ZB4-101-GF1 Series

* 3 fixing feet sufficient



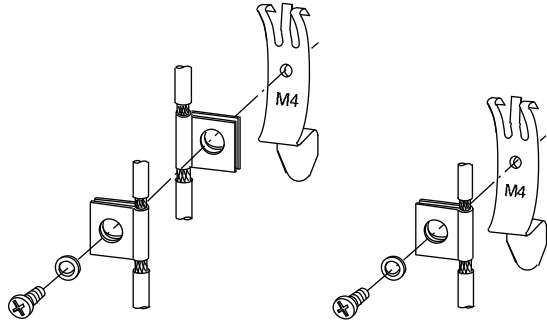
Fitting on 35 mm Top-Hat Rail

Fitting on Mounting Plate (Horizontal)

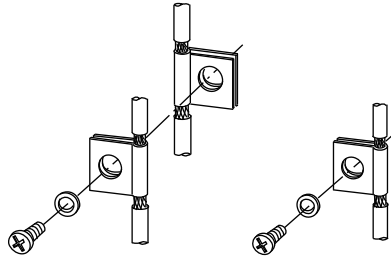
ZB4-101-GF1

Approximate Dimensions in Inches (mm)

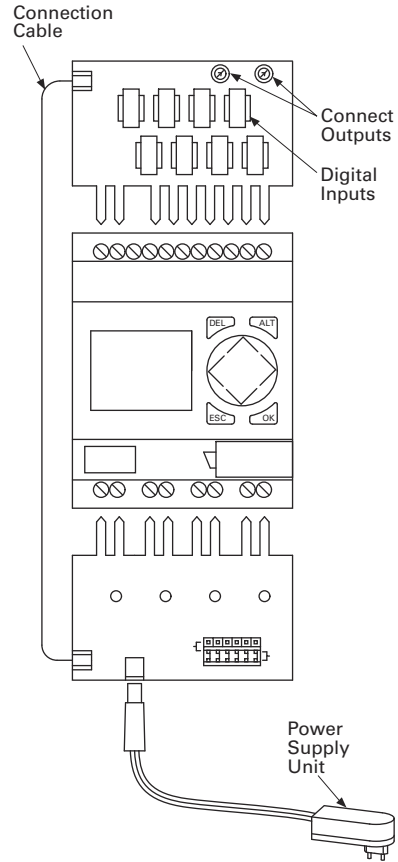
**ZB4-102-KS1 Series—
Grounding the Screen for Top-Hat Rail**



**ZB4-102-KS1 Series—
Grounding the Screen for Mounting Plate**



EASY412-DC-SIM-NA Series



X-ON Electronics

Largest Supplier of Electrical and Electronic Components

Click to view similar products for [Relay Sockets & Fixings](#) category:

Click to view products by [Eaton](#) manufacturer:

Other Similar products are found below :

[M41G](#) [7-1616360-5](#) [8000-DG2-5](#) [GDA12HA](#) [GDA12HD](#) [GDA12SA](#) [GDA12SD](#) [GDA16HD](#) [GDA22HA](#) [GDA95A](#) [GDA95D](#) [GFX20](#)
[GUA1](#) [GUA2-11](#) [GUA2-20](#) [GUA4-04](#) [GUA4-31](#) [GUM5R](#) [GUR-120](#) [GUR-24](#) [GUR-240](#) [GUR-277](#) [GURX-277](#) [GUW12](#) [GUW95](#)
[GUZ32S](#) [GUZ63L](#) [GUZ95L](#) [AS-11](#) [AX-4MS-31](#) [AX-4MS-40](#) [2-1608090-3](#) [PB-16](#) [SM2S-61](#) [SQ9Z-C](#) [SYSWINSMP](#) [AR-12MW](#) [AR-400](#)
[GDA16HA](#) [GDA16SA](#) [GDA16SD](#) [GDA22HD](#) [GDA22SA](#) [GDA22SD](#) [GDA32HA](#) [GDA32HD](#) [GDA32SA](#) [GDA32SD](#) [GDA63A](#) [GDA63D](#)