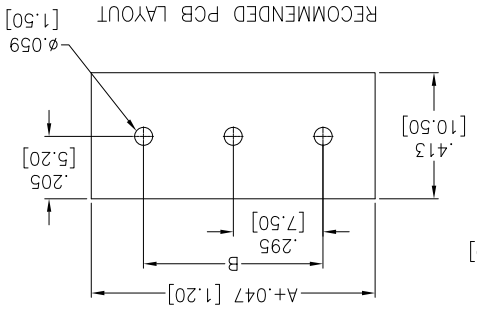
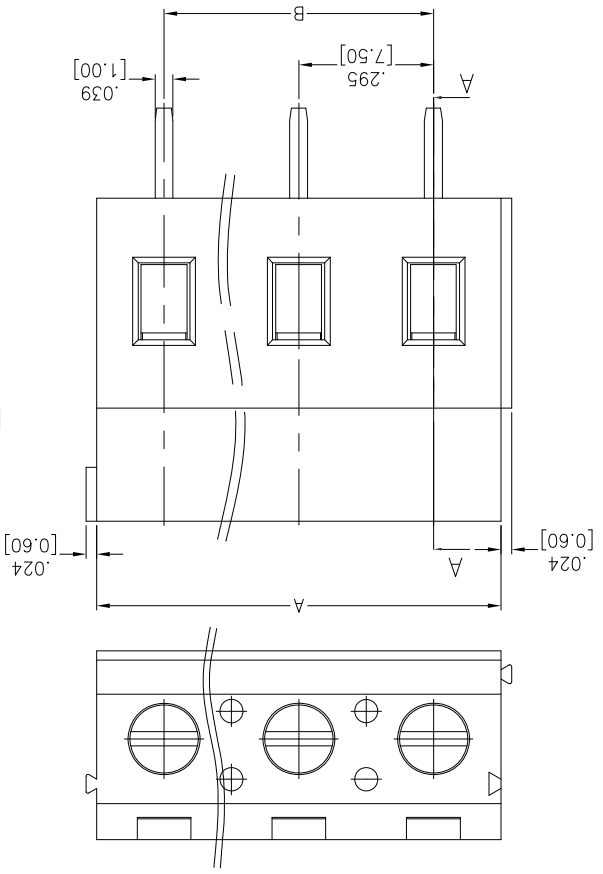
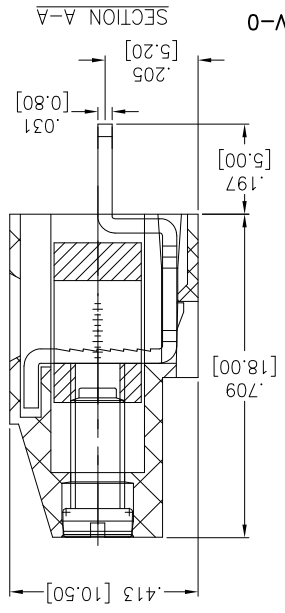


| | | | | |
|-----|-------|-------------|---------|------|
| Rev | AWO # | Description | Date | Appr |
| - | | RELEASED | 8/25/14 | |

APPROVED: _____ DATE: _____ TITLE: _____

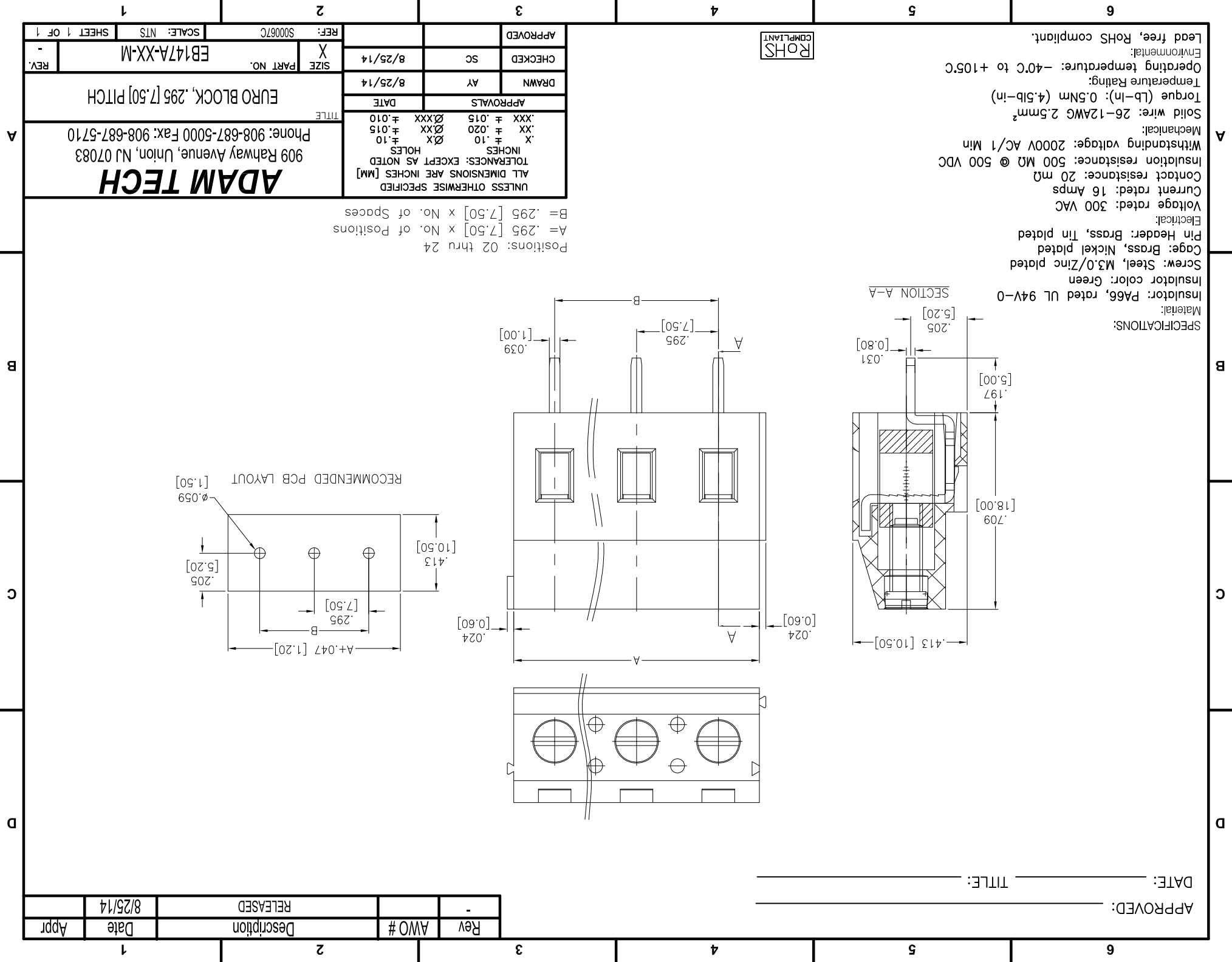


Positions: 02 thru 24
 A = .295 [7.50] x No. of Positions
 B = .295 [7.50] x No. of Spaces

| | | | |
|--|-------------|---------------------------------------|-------|
| UNLESS OTHERWISE SPECIFIED ALL DIMENSIONS ARE INCHES [MM] | | TOLERANCES: EXCEPT AS NOTED INCHES | |
| X | ±.10 | ØX | ±.015 |
| XX | ±.020 | ØXX | ±.015 |
| XXX | ±.015 | ØXXX | ±.010 |
| APPROVALS | | DATE | |
| DRAWN | AY | 8/25/14 | |
| CHECKED | SC | 8/25/14 | |
| APPROVED | | | |
| TITLE | | REF: S00067C | |
| EURO BLOCK, .295 [7.50] PITCH | | SCALE: NTS | |
| 909 Rahway Avenue, Union, NJ 07083 | | SHEET 1 OF 1 | |
| Phone: 908-687-5000 Fax: 908-687-5710 | | | |
| ADAM TECH | | | |
| REV. | PART NO. | SIZE | |
| - | EB147A-XX-M | X | |



SPECIFICATIONS:
 Material: PA66, rated UL 94V-0
 Insulator color: Green
 Screw: Steel, M3.0/Zinc plated
 Cage: Brass, Nickel plated
 Pin Header: Brass, Tin plated
 Electrical:
 Voltage rated: 300 VAC
 Current rated: 16 Amps
 Contact resistance: 20 mΩ
 Insulation resistance: 500 MΩ @ 500 VDC
 Withstanding voltage: 2000V AC/1 Min
 Mechanical:
 Solid wire: 26-12AWG 2.5mm²
 Torque (Lb-in): 0.5Nm (4.5lb-in)
 Temperature Rating:
 Operating temperature: -40°C to +105°C
 Environmental:
 Lead free, RoHS compliant.



X-ON Electronics

Largest Supplier of Electrical and Electronic Components

Click to view similar products for [Pluggable Terminal Blocks](#) category:

Click to view products by [Adam](#) manufacturer:

Other Similar products are found below :

[57.404.7553](#) [57.504.0053.7](#) [57.510.0053](#) [57.910.6153](#) [01.112.1453](#) [CTB932VE/6](#) [MC 1.5/ 6-ST-3.5 GY AU](#) [ET02015000J0G](#) [734-104](#) [734-302](#) [734-304](#) [8-141-P](#) [FKCT 2.5/ 3-ST KMGY](#) [860505](#) [860508](#) [860516](#) [860810](#) [861908](#) [GBPACX-12](#) [93.731.4953.0](#) [PV05-5,08-K](#) [PVP02-5,00](#) [PVP04-3,50](#) [PVS02-5,00](#) [1-1986160-3](#) [H-10](#) [1546228-5](#) [ELFH09150](#) [ELFH16150](#) [ELFP03110](#) [ELFT06250](#) [ELFT07250](#) [ELVF09400](#) [ELVP03100](#) [ELXH03100](#) [ELXH071G0E](#) [ELXP041G0](#) [ELXT046G0](#) [1700101](#) [1700410](#) [1700425](#) [1703176](#) [1705229](#) [1710175](#) [1714537](#) [1717806](#) [1719600](#) [1729386](#) [1734692](#) [1734795](#)