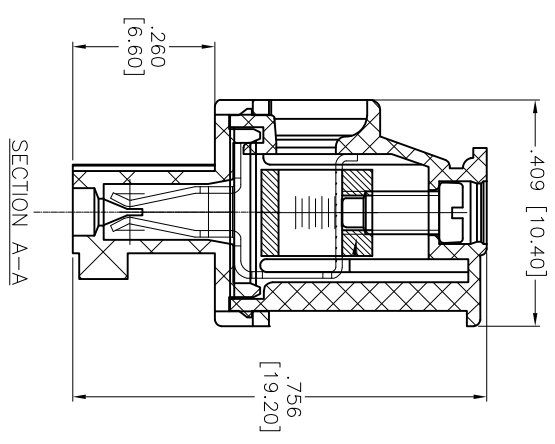
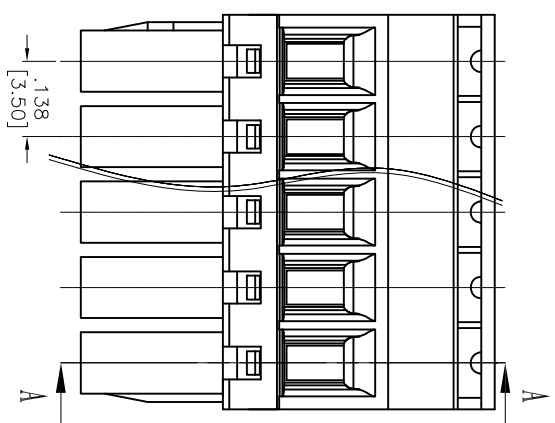
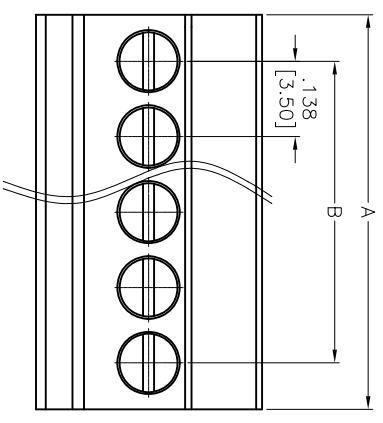


Rev	AWO #	Description	Date	Appr
-		RELEASED	4/1/15	

APPROVED: \_\_\_\_\_

DATE: \_\_\_\_\_ TITLE: \_\_\_\_\_



Positions: 2 thru 24  
 A = .138 [3.50] x No. of Spaces + .169 [4.30]  
 B = .138 [3.50] x No. of Spaces

**SPECIFICATIONS:**

- Material: PA66, rated UL 94V-0
- Insulator color: Green
- Screw: M2.0 Steel, Zinc plated
- Clamp: Phosphor Bronze, Nickel plated
- Cage: Brass, Nickel plated
- Electrical:
  - Operation voltage: 300 V
  - Current rating: 8 A
  - Contact resistance: 20 mohms max
  - Insulation resistance: 500 Mohms min @ 500 VDC
  - Dielectric withstanding voltage: 2,000 VAC for 1 minute
- Mechanical:
  - Wire Range: 16-28AWG, 1.0mm<sup>2</sup>
  - Torque: 0.2N-m, 1.7lb-in
  - Wire strip length: 6-7mm
  - Temperature Rating: Operating temperature: -40°C to +105°C



UNLESS OTHERWISE SPECIFIED	
ALL DIMENSIONS ARE INCHES [MM]	
TOLERANCES: EXCEPT AS NOTED	
INCHES	HOLDS
.X ± .10	ØX ± .10
.XX ± .020	ØXX ± .015
.XXX ± .015	ØXXX ± .010
APPROVALS	
DRAWN	AY
CHECKED	NP
APPROVED	
DATE	DATE

**ADAM TECH**  
 909 Rahway Avenue, Union, NJ 07083  
 Phone: 908-687-5000 Fax: 908-687-5710

TITLE: EURO BLOCK, .138 [3.50] PITCH	
SIZE	PART NO.
X	EB5A-XX-A
REF: S00037C	SCALE: NTS
SHEET 1 OF 1	REV. -

## X-ON Electronics

Largest Supplier of Electrical and Electronic Components

*Click to view similar products for [Pluggable Terminal Blocks](#) category:*

*Click to view products by [Adam](#) manufacturer:*

Other Similar products are found below :

[57.404.7553](#) [57.504.0053.7](#) [57.510.0053](#) [57.910.6153](#) [01.112.1453](#) [CTB932VE/6](#) [MC 1.5/ 6-ST-3.5 GY AU](#) [ET02015000J0G](#) [734-104](#) [734-302](#) [734-304](#) [8-141-P](#) [FKCT 2.5/ 3-ST KMGY](#) [860505](#) [860508](#) [860516](#) [860810](#) [861908](#) [GBPACX-12](#) [93.731.4953.0](#) [PV05-5,08-K](#) [PVP02-5,00](#) [PVP04-3,50](#) [PVS02-5,00](#) [1-1986160-3](#) [H-10](#) [1546228-5](#) [ELFH09150](#) [ELFH16150](#) [ELFP03110](#) [ELFT06250](#) [ELFT07250](#) [ELVF09400](#) [ELVP03100](#) [ELXH03100](#) [ELXH071G0E](#) [ELXP041G0](#) [ELXT046G0](#) [1700101](#) [1700410](#) [1700425](#) [1703176](#) [1705229](#) [1710175](#) [1714537](#) [1717806](#) [1719600](#) [1729386](#) [1734692](#) [1734795](#)