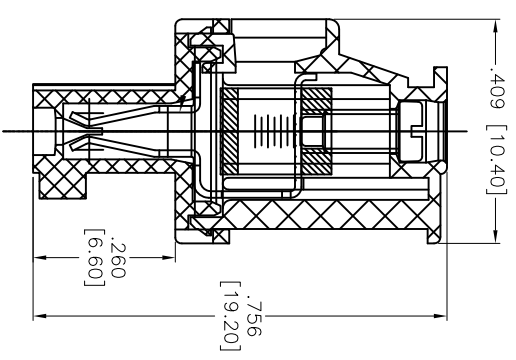
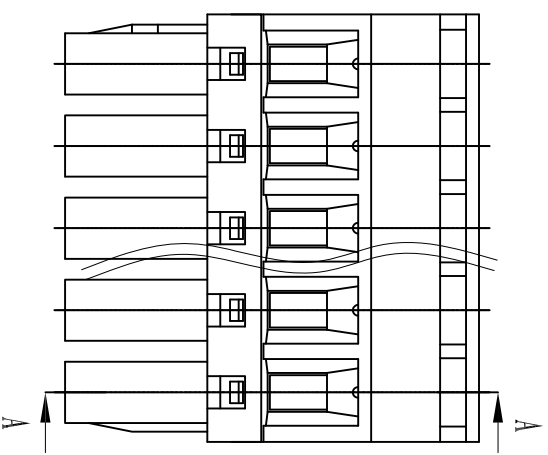
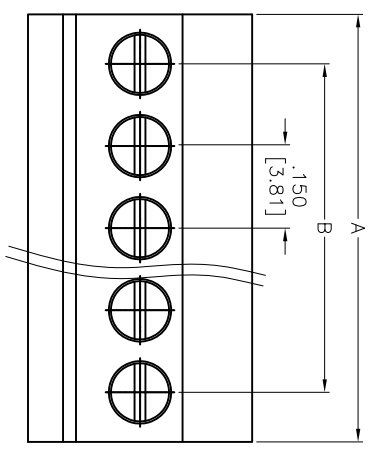


Rev	AWO #	Description	Date	Appr
-		RELEASED	4/1/15	

APPROVED: _____

DATE: _____ TITLE: _____



Positions: 2 thru 24
 A = .150 [3.81] x No. of Spaces + .181 [4.60]
 B = .150 [3.81] x No. of Spaces

SECTION A-A

A

A

SPECIFICATIONS:
 Material: PA66, rated UL 94V-0
 Insulator color: Green
 Screw: M2.0 Steel, Zinc plated
 Clamp: Phosphor Bronze, Nickel plated
 Cage: Brass, Nickel plated
 Electrical:
 Operation voltage: 300 V
 Current rating: 8 A
 Contact resistance: 20 mohms max
 Insulation resistance: 500 Mohms min @ 500 VDC
 Dielectric withstanding voltage: 2,000 VAC for 1 minute
 Mechanical:
 Wire Range: 16-28AWG, 1.0mm²
 Torque: 0.2N-m, 1.7lb-in
 Wire strip length: 6-7mm
 Temperature Rating:
 Operating temperature: -40°C to +105°C

UNLESS OTHERWISE SPECIFIED
 ALL DIMENSIONS ARE INCHES [MM]
 TOLERANCES: EXCEPT AS NOTED

INCHES	Holes
.X ± .10	ØX ± .10
.XX ± .020	ØXX ± .015
.XXX ± .015	ØXXX ± .010

ADAM TECH

909 Railway Avenue, Union, NJ 07083
 Phone: 908-687-5000 Fax: 908-687-5710

EURO BLOCK, .150 [3.81] PITCH

APPROVALS	DATE
DRAWN	HR
CHECKED	KW
APPROVED	

SIZE	PART NO.	REV.
X	EB5A-XX-B	-

REF: S00037C SCALE: NTS SHEET 1 OF 1



X-ON Electronics

Largest Supplier of Electrical and Electronic Components

Click to view similar products for [Pluggable Terminal Blocks](#) category:

Click to view products by [Adam](#) manufacturer:

Other Similar products are found below :

[57.404.7553](#) [57.504.0053.7](#) [57.510.0053](#) [57.910.6153](#) [01.112.1453](#) [CTB932VE/6](#) [MC 1.5/ 6-ST-3.5 GY AU](#) [ET02015000J0G](#) [734-104](#) [734-302](#) [734-304](#) [8-141-P](#) [FKCT 2.5/ 3-ST KMGY](#) [860505](#) [860508](#) [860516](#) [860810](#) [861908](#) [GBPACX-12](#) [93.731.4953.0](#) [PV05-5,08-K](#) [PVP02-5,00](#) [PVP04-3,50](#) [PVS02-5,00](#) [1-1986160-3](#) [H-10](#) [1546228-5](#) [ELFH09150](#) [ELFH16150](#) [ELFP03110](#) [ELFT06250](#) [ELFT07250](#) [ELVF09400](#) [ELVP03100](#) [ELXH03100](#) [ELXH071G0E](#) [ELXP041G0](#) [ELXT046G0](#) [1700101](#) [1700410](#) [1700425](#) [1703176](#) [1705229](#) [1710175](#) [1714537](#) [1717806](#) [1719600](#) [1729386](#) [1734692](#) [1734795](#)