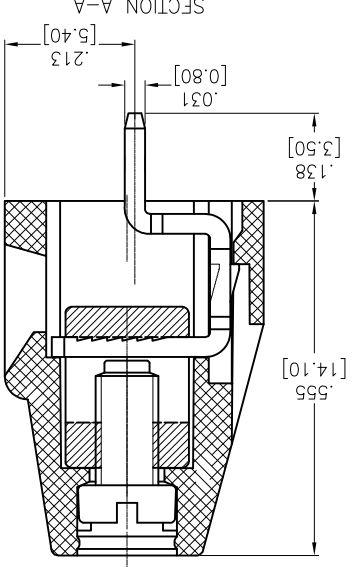
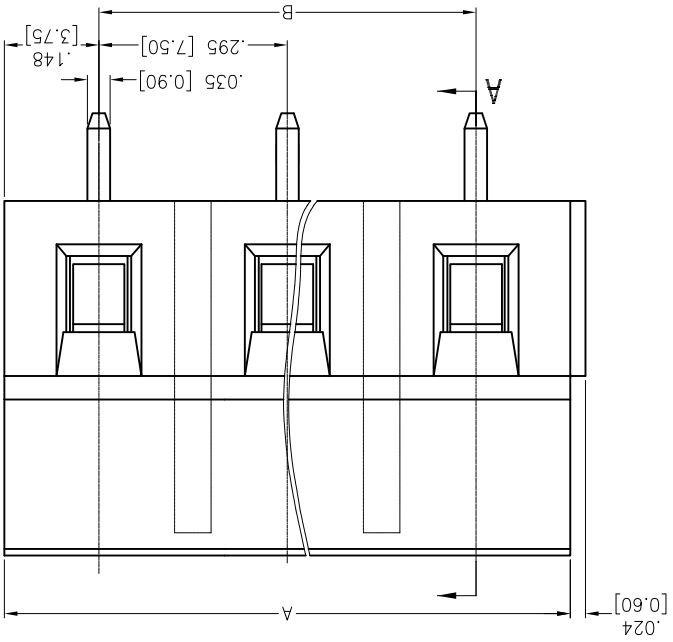
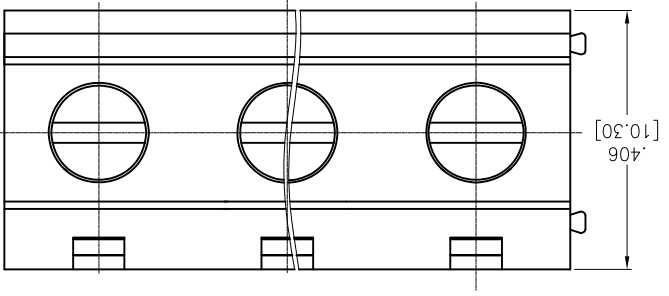
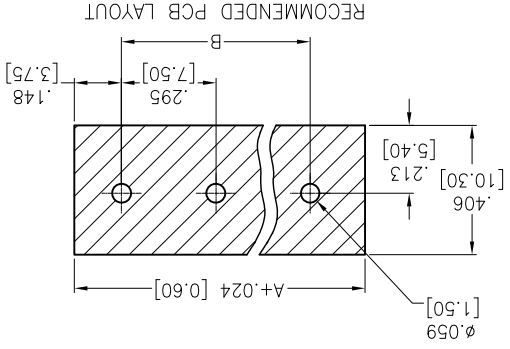


Rev	AWO #	Description	Date	Appr
-		RELEASED	9/3/14	

APPROVED: _____ DATE: _____
TITLE: _____



SPECIFICATIONS:

Material: PA66, rated UL 94V-0
Insulator Color: Green
Contact: Brass, Tin plated.
Screw: Steel, M2.5, Zn plated.
Cage: Brass, Ni plated.

Electrical:
Operation voltage: 300 VAC max
Current rating: 10 Amps
Contact resistance: 20 mohms max
Insulation resistance: 500 Mohms min @ 500 VDC
Dielectric withstanding voltage: 2,000 VAC for 1 minute

Mechanical:
Wire Range: 22~12AWG [2.5mm²]
Wire strip length: 6~7mm
Torque: 0.4Nm (3.6lb-in)
Temperature Rating:
Operating temperature: -40°C to +105°C
Environmental:
Lead free, RoHS compliant.



APPROVED		REF: S00067C	SCALE: NTS	SHEET 1 OF 1
CHECKED	MM	9/3/14	E BAG-XX-M	
DRAWN	AV	9/3/14	PART NO.	REV. -
APPROVALS		DATE	TITLE	
X	±.10	ØX	NODULAR EURO BLOCK, VERTICAL,	
XX	±.020	ØXX	.197" [7.50] PITCH, COLOR GREEN,	
XXX	±.015	ØXXX	909 Rahway Avenue, Union, NJ 07083	
UNLESS OTHERWISE SPECIFIED		Phone: 908-687-5000 Fax: 908-687-5710		
ALL DIMENSIONS ARE INCHES [MM]		ADAM TECH		
TOLERANCES: EXCEPT AS NOTED				
INCHES				
Holes				

Positions: 02 thru 24
A = .197" [7.50] x No. of positions
B = .197" [7.50] x No. of spaces

A

B

C

D

A

B

C

D

1

2

3

4

5

6

1

2

3

4

5

6

X-ON Electronics

Largest Supplier of Electrical and Electronic Components

Click to view similar products for [Pluggable Terminal Blocks](#) category:

Click to view products by [Adam](#) manufacturer:

Other Similar products are found below :

[57.404.7553](#) [57.504.0053.7](#) [57.510.0053](#) [57.910.6153](#) [01.112.1453](#) [CTB932VE/6](#) [MC 1.5/ 6-ST-3.5 GY AU](#) [ET02015000J0G](#) [734-104](#) [734-302](#) [734-304](#) [8-141-P](#) [FKCT 2.5/ 3-ST KMGY](#) [860505](#) [860508](#) [860516](#) [860810](#) [861908](#) [GBPACX-12](#) [93.731.4953.0](#) [PV05-5,08-K](#) [PVP02-5,00](#) [PVP04-3,50](#) [PVS02-5,00](#) [1-1986160-3](#) [H-10](#) [1546228-5](#) [ELFH09150](#) [ELFH16150](#) [ELFP03110](#) [ELFT06250](#) [ELFT07250](#) [ELVF09400](#) [ELVP03100](#) [ELXH03100](#) [ELXH071G0E](#) [ELXP041G0](#) [ELXT046G0](#) [1700101](#) [1700410](#) [1700425](#) [1703176](#) [1705229](#) [1710175](#) [1714537](#) [1717806](#) [1719600](#) [1729386](#) [1734692](#) [1734795](#)