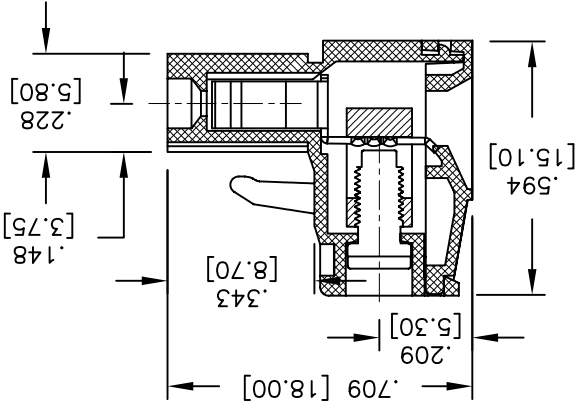
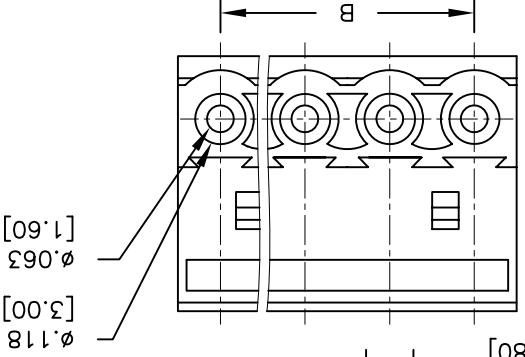
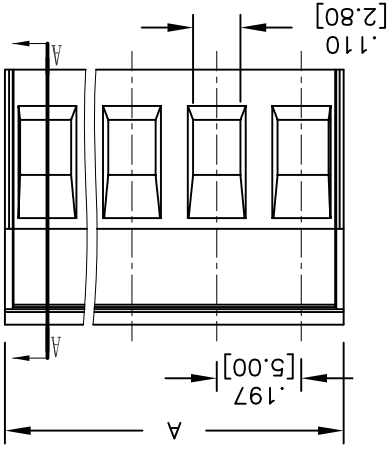


Rev	AWO #	Description	Date	Appr
-		RELEASED	8/2/13	

APPROVED: _____ DATE: _____
 TITLE: _____



Poles: 2 thru 24
 A = .197 [5.00] x No. of Poles
 B = .197 [5.00] x No. of (Poles - 1)

SPECIFICATIONS:

Material: Insulator: PA66, rated UL 94V-0
 Insulator color: Green
 Wire guard: Brass, Tin plated
 Screw: Steel, M3.0/Zinc plated
 Clamp: Phosphor Bronze, Nickel plated
 Electrical: Voltage rated: 300 VAC
 Current rated: 15 Amps
 Contact resistance: 20 mΩ
 Insulation resistance: 500 MΩ @ 500 VDC
 Withstanding voltage: 2000V AC/1 Min

Mechanical: Solid wire: 28-14AWG 2.5mm²
 Torque (LB-in): 0.5Nm (4.5lb-in)
 Strip length: 7-8mm

Temperature Rating: Operating temperature: -40°C to +105°C
 Environmental: Lead free, RoHS compliant.



UNLESS OTHERWISE SPECIFIED ALL DIMENSIONS ARE INCHES [MM]		TOLERANCES: EXCEPT AS NOTED INCHES	
X	±.10	ØX	±.10
XX	±.020	ØXX	±.015
XXX	±.015	ØXXX	±.010
APPROVALS		DATE	
DRAWN	AY	8/2/13	
CHECKED	NP	8/2/13	
APPROVED			
TITLE		REF: S00067C	
.197 [5.00] TERMINAL BLOCK, SLOTTED SCREW		SCALE: NTS	
PART NO. EBHA-XX-C		SHEET 1 OF 1	
REV. -			

ADAM TECH
 909 Rahway Avenue, Union, NJ 07083
 Phone: 908-687-5000 Fax: 908-687-5710

A

B

C

D

A

B

C

D

1

2

3

4

5

6

1

2

3

4

5

6

X-ON Electronics

Largest Supplier of Electrical and Electronic Components

Click to view similar products for [Pluggable Terminal Blocks](#) category:

Click to view products by [Adam](#) manufacturer:

Other Similar products are found below :

[57.404.7553](#) [57.504.0053.7](#) [57.510.0053](#) [57.910.6153](#) [01.112.1453](#) [CTB932VE/6](#) [MC 1.5/ 6-ST-3.5 GY AU](#) [ET02015000J0G](#) [734-104](#) [734-302](#) [734-304](#) [8-141-P](#) [FKCT 2.5/ 3-ST KMGY](#) [860505](#) [860508](#) [860516](#) [860810](#) [861908](#) [GBPACX-12](#) [93.731.4953.0](#) [PV05-5,08-K](#) [PVP02-5,00](#) [PVP04-3,50](#) [PVS02-5,00](#) [1-1986160-3](#) [H-10](#) [1546228-5](#) [ELFH09150](#) [ELFH16150](#) [ELFP03110](#) [ELFT06250](#) [ELFT07250](#) [ELVF09400](#) [ELVP03100](#) [ELXH03100](#) [ELXH071G0E](#) [ELXP041G0](#) [ELXT046G0](#) [1700101](#) [1700410](#) [1700425](#) [1703176](#) [1705229](#) [1710175](#) [1714537](#) [1717806](#) [1719600](#) [1729386](#) [1734692](#) [1734795](#)