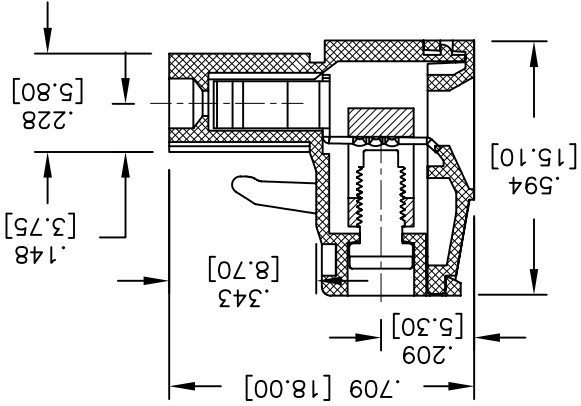
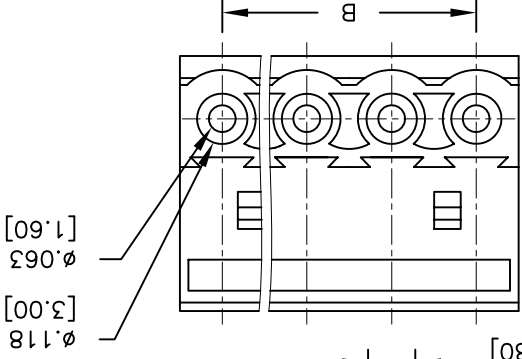
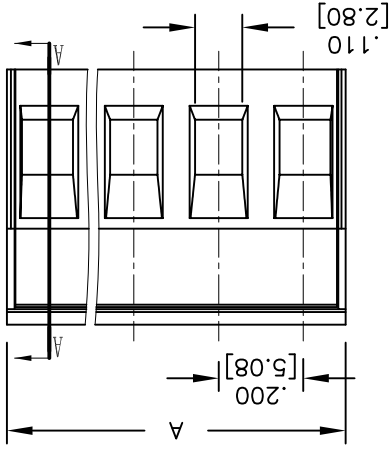


Rev	AWO #	Description	Date	Appr
-		RELEASED	10/16/13	

APPROVED: \_\_\_\_\_  
 DATE: \_\_\_\_\_  
 TITLE: \_\_\_\_\_



Poles: 2 thru 24  
 A = .200 [5.08] x No. of Poles  
 B = .200 [5.08] x No. of (Poles - 1)

**SPECIFICATIONS:**

Material: Insulator: PA66, rated UL 94V-0  
 Insulator color: Green  
 Wire guard: Brass, Tin plated  
 Screw: Steel, M3.0/Zinc plated  
 Clamp: Phosphor Bronze, Nickel plated

Electrical:  
 Voltage rated: 300 VAC  
 Current rated: 15 Amps  
 Contact resistance: 20 mΩ  
 Insulation resistance: 500 MΩ @ 500 VDC  
 Withstanding voltage: 2000V AC/1 Min

Mechanical:  
 Solid wire: 28-14AWG 2.5mm<sup>2</sup>  
 Torque (Lb-in): 0.5Nm (4.5lb-in)  
 Strip length: 7-8mm  
 Temperature Rating:  
 Operating temperature: -40°C to +105°C  
 Environmental:  
 Lead free, RoHS compliant.



APPROVALS		DATE
X	AY	10/16/13
XXX	NP	10/16/13

APPROVED	CHECKED	DRAWN

UNLESS OTHERWISE SPECIFIED ALL DIMENSIONS ARE INCHES [MM]		TOLERANCES: EXCEPT AS NOTED INCHES	
X	±.10	∅X	±.10
XX	±.020	∅XX	±.015
XXX	±.015	∅XXX	±.010
TITLE		DATE	
.197 [5.08] TERMINAL BLOCK, SLOTTED SCREW		10/16/13	
SIZE	PART NO.	REV.	
X	EBHA-XX-D	-	
REF:	S00067C	SCALE:	NTS
SHEET	1 OF 1		

**ADAM TECH**  
 909 Rahway Avenue, Union, NJ 07083  
 Phone: 908-687-5000 Fax: 908-687-5710

A

B

C

D

A

B

C

D

1

2

3

4

5

6

1

2

3

4

5

6

## X-ON Electronics

Largest Supplier of Electrical and Electronic Components

*Click to view similar products for [Pluggable Terminal Blocks](#) category:*

*Click to view products by [Adam](#) manufacturer:*

Other Similar products are found below :

[57.404.7553](#) [57.504.0053.7](#) [57.510.0053](#) [57.910.6153](#) [01.112.1453](#) [CTB932VE/6](#) [MC 1.5/ 6-ST-3.5 GY AU](#) [ET02015000J0G](#) [734-104](#) [734-302](#) [734-304](#) [8-141-P](#) [FKCT 2.5/ 3-ST KMGY](#) [860505](#) [860508](#) [860516](#) [860810](#) [861908](#) [GBPACX-12](#) [93.731.4953.0](#) [PV05-5,08-K](#) [PVP02-5,00](#) [PVP04-3,50](#) [PVS02-5,00](#) [1-1986160-3](#) [H-10](#) [1546228-5](#) [ELFH09150](#) [ELFH16150](#) [ELFP03110](#) [ELFT06250](#) [ELFT07250](#) [ELVF09400](#) [ELVP03100](#) [ELXH03100](#) [ELXH071G0E](#) [ELXP041G0](#) [ELXT046G0](#) [1700101](#) [1700410](#) [1700425](#) [1703176](#) [1705229](#) [1710175](#) [1714537](#) [1717806](#) [1719600](#) [1729386](#) [1734692](#) [1734795](#)