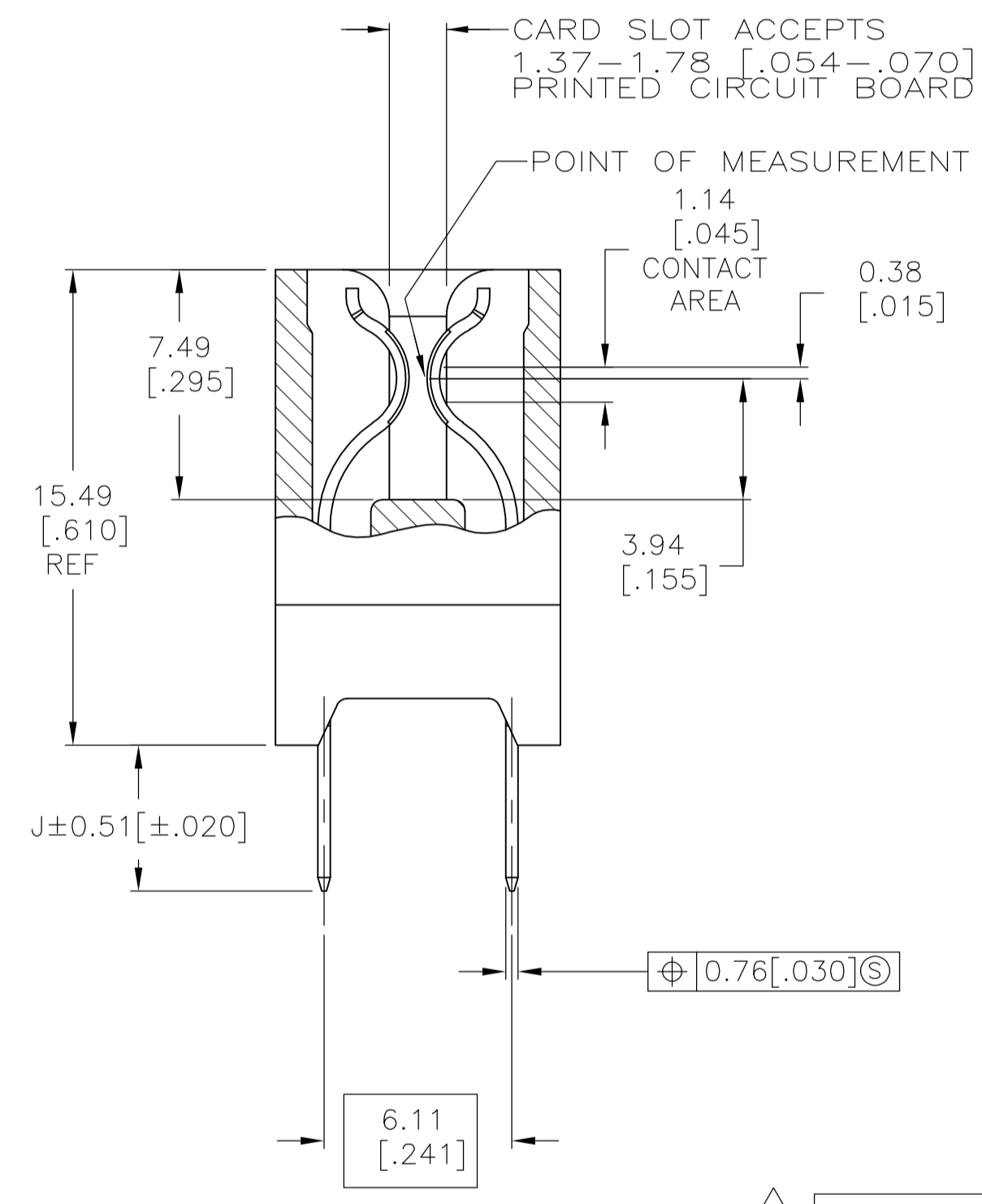
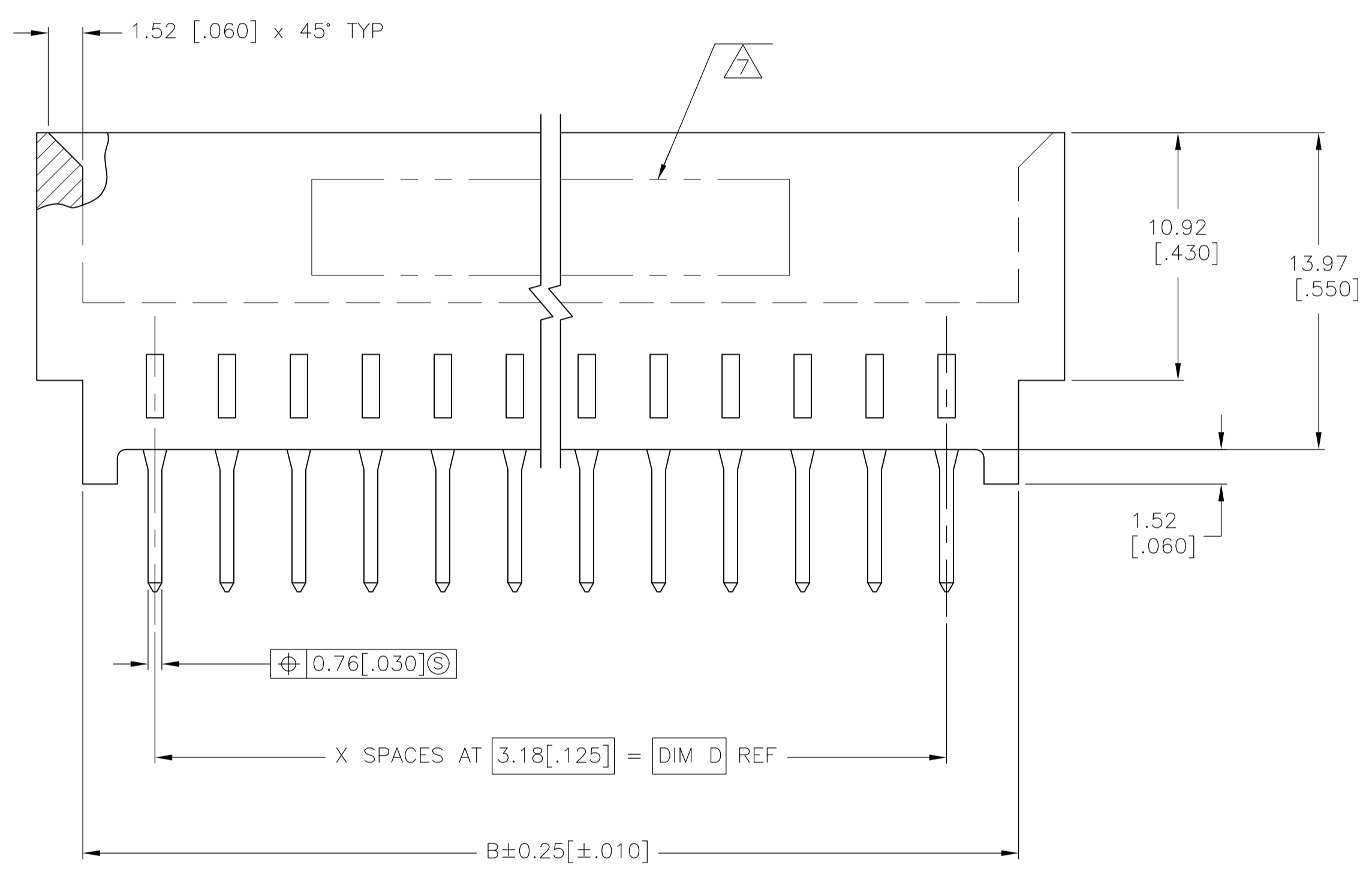
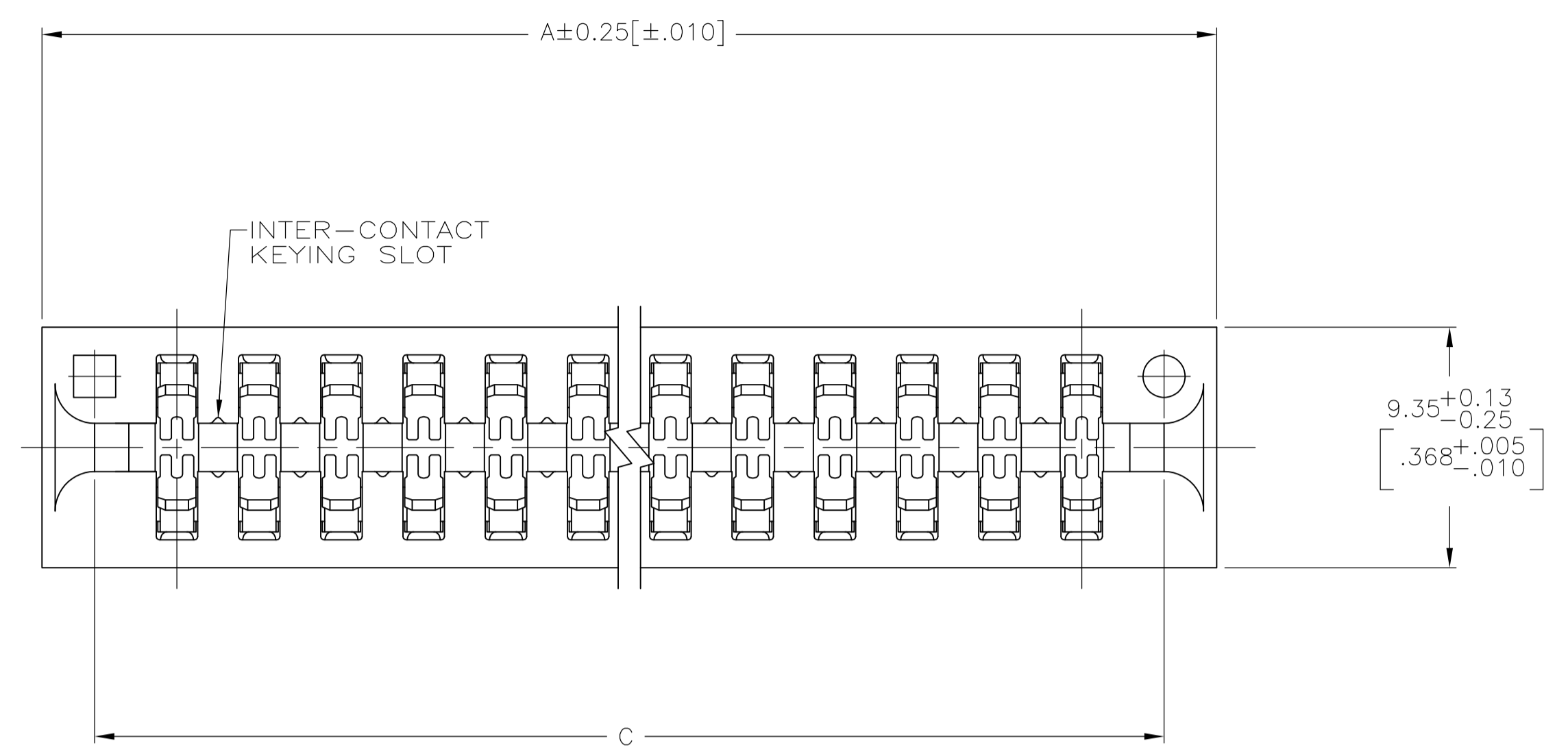


LOC		DIST		REVISIONS			
AD	00	REV	DATE	BY	CHK	APPV	
		0	ECO-05-009665	02MAR2006	RB	MM	
		01	REVISED PER ECO-09-024927	09NOV09	KK	AEG	



- ① HOUSING: GLASS FILLED POLYESTER; COLOR: BLACK.
- ② CONTACT: PHOSPHOR BRONZE.
- ③ CONTACT: 0.00127 [.000050] MIN NICKEL ALL OVER.
- ④ CONTACT: 0.00254 [.000100] MIN MATTE TIN ON SOLDER POSTS.
- ⑤ CONTACT: 0.00076 [.000030] MIN GOLD IN CONTACT AREA.
- ⑥ CONTACT: NICKEL PLATE PER MIL-G-45204. GOLD PLATE PER QQ-N-290.
- ⑦ AMP PART NUMBER AND DATE CODE ARE MARKED IN APPROXIMATE AREA SHOWN, EITHER SIDE.
- ⑧ RECOMMENDED PCB FINISHED HOLE DIA:  $1.02 \pm 0.08 [.040 \pm 0.003]$ .
- ⑨ OBSOLETE PARTS: OBSOLETE CIS STREAMLINING PER D.RENAUD/D.SINISI

⑨ OBSOLETE	4.75	41.28	47.62	47.62	51.69	13	14	<del>5-5530844-8</del>
	[.187]	[1.625]	[1.875]	[1.875]	[2.035]			
⑨ OBSOLETE	4.75	155.98	161.92	161.92	165.99	49	50	<del>2-5530844-2</del>
	[.187]	[6.125]	[6.375]	[6.375]	[6.535]			
⑨ OBSOLETE	4.75	123.82	130.18	130.18	134.24	39	40	<del>2-5530844-0</del>
	[.187]	[4.875]	[5.125]	[5.125]	[5.285]			
⑨ OBSOLETE	4.75	111.12	117.48	117.48	121.54	35	36	<del>1-5530844-9</del>
	[.187]	[4.375]	[4.625]	[4.625]	[4.785]			
⑨ OBSOLETE	4.75	92.08	98.42	98.42	102.49	29	30	<del>1-5530844-8</del>
	[.187]	[3.625]	[3.875]	[3.875]	[4.035]			
⑨ OBSOLETE	4.75	85.72	92.08	92.08	96.14	27	28	<del>1-5530844-7</del>
	[.187]	[3.375]	[3.625]	[3.625]	[3.785]			
⑨ OBSOLETE	4.75	66.68	73.02	73.02	77.09	21	22	<del>1-5530844-6</del>
	[.187]	[2.625]	[2.875]	[2.875]	[3.035]			
⑨ OBSOLETE	4.75	53.98	60.32	60.32	64.39	17	18	<del>1-5530844-5</del>
	[.187]	[2.125]	[2.375]	[2.375]	[2.535]			
⑨ OBSOLETE	3.18	155.58	161.92	161.92	165.99	49	50	<del>1-5530844-1</del>
	[.125]	[6.125]	[6.375]	[6.375]	[6.535]			
⑨ OBSOLETE	3.18	133.35	139.70	139.70	143.76	42	43	<del>1-5530844-0</del>
	[.125]	[5.250]	[5.500]	[5.500]	[5.660]			
	J	D	C	B	A	X	NO OF POSN	PART NUMBER

THIS DRAWING IS A CONTROLLED DOCUMENT.

DIMENSIONS: mm [INCHES]

TOLERANCES UNLESS OTHERWISE SPECIFIED:

0. PLC	±	-
1. PLC	±	-
2. PLC	±	-
3. PLC	±	0.13 [.005]
4. PLC	±	-
ANGLES	±	-

MATERIAL:  $\triangle 1 \triangle 2$  FINISH:  $\triangle 3 \triangle 4 \triangle 5 \triangle 6$

APPROVED: M. MILLER 02MAR2006

NAME: M. MILLER 02MAR2006

PRODUCT SPEC: 108-9039

APPLICATION SPEC: -

SIZE: A1

WEIGHT: -

CUSTOMER DRAWING

SCALE: 5:1

SHEET: 1 of 1

REV: 01

Tyco Electronics Corporation  
Harrisburg, Pa 17105-3608

CONNECTOR ASSEMBLY, STANDARD EDGE II, 3.18 [.125] CL

00779 ©=5530844

## X-ON Electronics

Largest Supplier of Electrical and Electronic Components

*Click to view similar products for [Standard Card Edge Connectors](#) category:*

*Click to view products by [TE Connectivity](#) manufacturer:*

Other Similar products are found below :

[6565204-6](#) [PKC-156](#) [1437274-4](#) [147889-1](#) [1489165-4](#) [EBT156-12B1X](#) [EBT15622B2X](#) [EBT156-22R2W](#) [1-582587-1](#) [1-582589-1](#) [2-6437275-9](#) [284-0102-12100](#) [306022901000000](#) [307-012-502-202](#) [307-024-526-201](#) [307-056-520-300](#) [307-080-526-208](#) [1926088-2](#) [245-062-520-350](#) [287-0032-12101](#) [306-010-500-112](#) [306-028-525-102](#) [306-240-318](#) [307-036-502-202](#) [307-036-521-301](#) [307-072-526-202](#) [345-060-559-303](#) [368-004-520-201](#) [392-008-559-201](#) [534671-1](#) [5-530501-5](#) [341-240-317](#) [345-029-520-300](#) [345-030-500-301](#) [345-044-500-300](#) [345-220-058](#) [346-240-318](#) [357-030-526-201](#) [387-012-523-300](#) [395-044-520-300](#) [395-100-524-300](#) [50-12B-10](#) [50-6SN-5](#) [09-07-2032](#) [10035388-106LF](#) [10035388-802LF](#) [10115859-011LF](#) [10122859-009LF](#) [101269333204245CLF](#) [10127905-B04B24BLF](#)