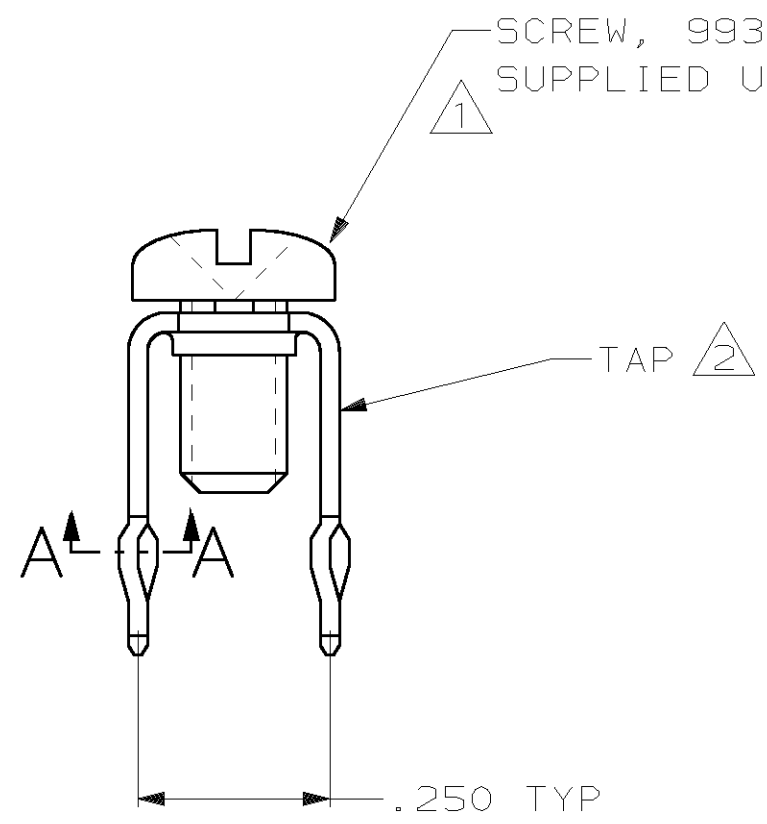
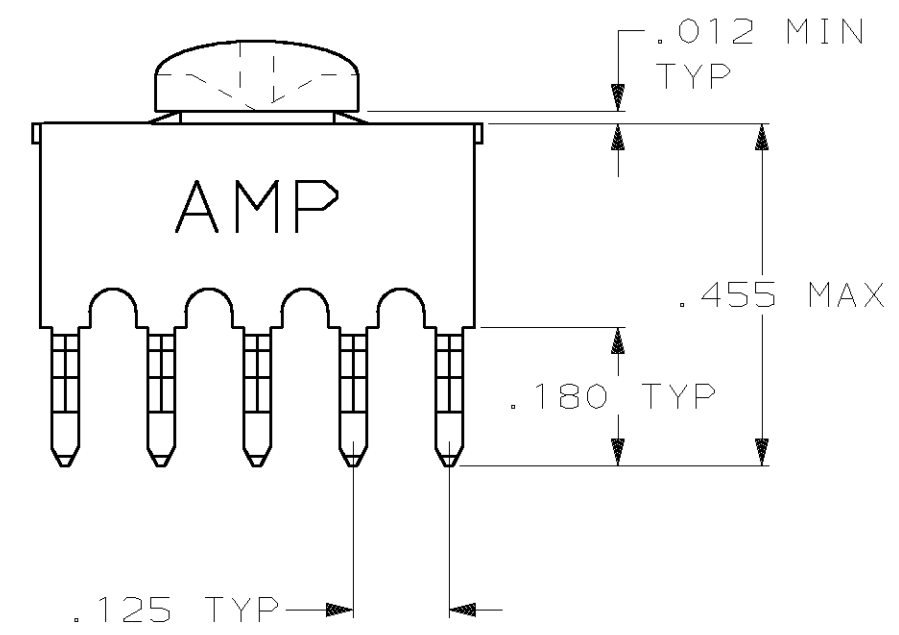
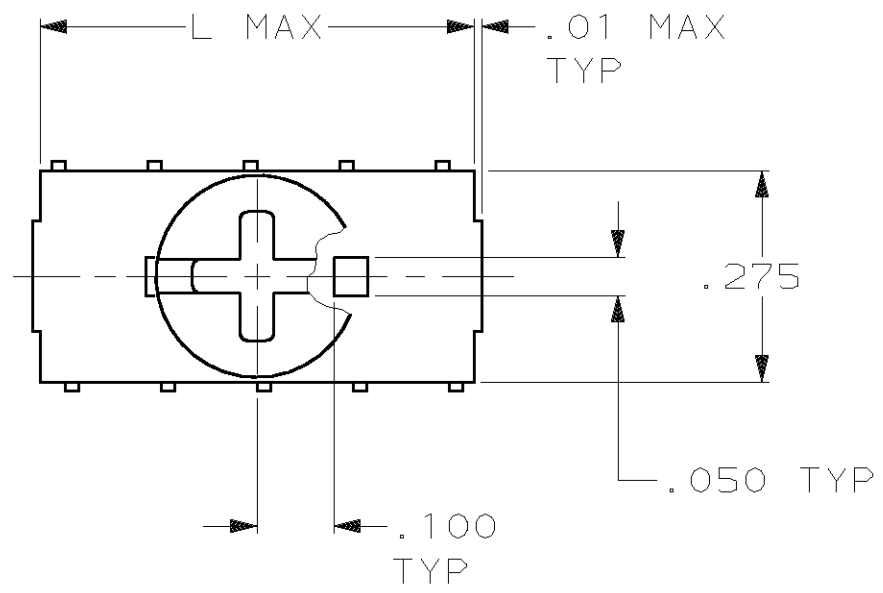


THIS DRAWING IS UNPUBLISHED. RELEASED FOR PUBLICATION, 19 .  
© COPYRIGHT 19 BY AMP INCORPORATED. ALL INTERNATIONAL RIGHTS RESERVED.

MOD	LOC	DIST	P	F	ZONE	LTR	DESCRIPTION	DATE	APPD
	GP	00				M	REV PER OUE0-0037-01	17OCT01	JR



SCREW, 993879-1  
SUPPLIED UNASSEMBLED, SEE TABLE

- 1 TO PREVENT THREAD STRIPPING, SCREW TORQUE SHOULD NOT EXCEED 9 IN LBS.
- 2 TAP HOLE IS 6-32UNC-2B, TWO MIN THREADS.
- 3 FINISH .000150 BRIGHT TIN-LEAD OVER .000050 NICKEL .

.57	YES	10	1-55323-0
.32	YES	6	55323-9
.57	NO	10	55323-6
.32	NO	6	55323-5
L	993879-1	NUMBER OF POSN	PART NO



SECTION A-A  
SCALE 10:1  
10 PLACES

DO NOT SCALE PRINT. UNLESS SPECIFIED DIMENSIONS IN INCHES TOLERANCES ON: 2 PLC DEC ± - 3 PLC DEC ± .008 ANGLES ± -	DR 1-11-88 J. McCLINTON CHK 1-11-88 R. STONE APPD 1-15-88 M. GALLOWAY APPD 1-15-88 M. GALLOWAY PRODUCT SPEC APPLICATION SPEC WEIGHT	AMP INCORPORATED Harrisburg, Pa. 17105 NAME TAP, POWER DISTRIBUTION SIZE <b>B</b> FSCM NO 00779 DRAWING NO 55323 SCALE 4:1 SHEET 1 OF 1
---	---	--

## X-ON Electronics

Largest Supplier of Electrical and Electronic Components

*Click to view similar products for [Heavy Duty Power Connectors](#) category:*

*Click to view products by [TE Connectivity](#) manufacturer:*

Other Similar products are found below :

[1424439](#) [1424438](#) [09330062652](#) [2-8675P1](#) [580129-2](#) [605601-1](#) [6340G1](#) [6341G1](#) [6360G1](#) [6373G1](#) [6374g2](#) [6396G1](#) [647757-1](#) [66394-4](#)  
[6643411-1](#) [6646058-2](#) [6646137-1](#) [6646138-1](#) [6646348-1](#) [6646479-1](#) [6646608-1](#) [6646786-1](#) [6646940-1](#) [6651091-1](#) [6651525-1](#) [6651529-1](#)  
[6651778-1](#) [6651788-1](#) [696465-1](#) [696475-1](#) [73000005059](#) [73000005349](#) [73000005642](#) [73080255059](#) [73080965046](#) [765-15-0080A](#)  
[765-16-0080B](#) [789.700-44](#) [789.700-54](#) [80-1010](#) [80-9](#) [827381-1](#) [829992-1](#) [902-77-02113](#) [PL00U-301-10D10](#) [PM103MOOLOO](#)  
[PM16S1620S32-50](#) [PM212MOOLOO](#) [PM309FOOLOO](#) [PM324FOOLCH](#)