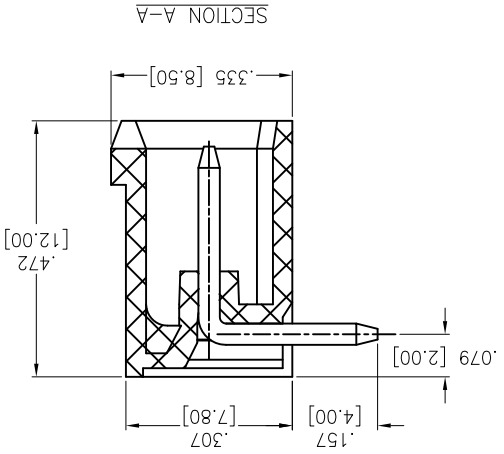
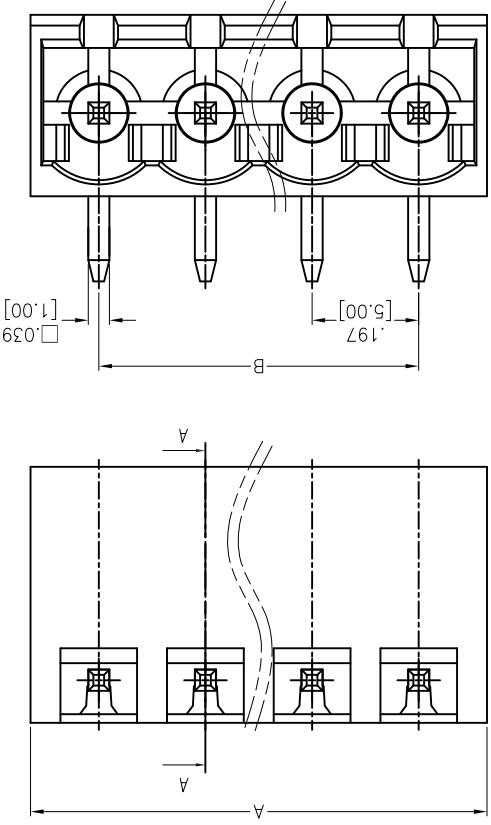
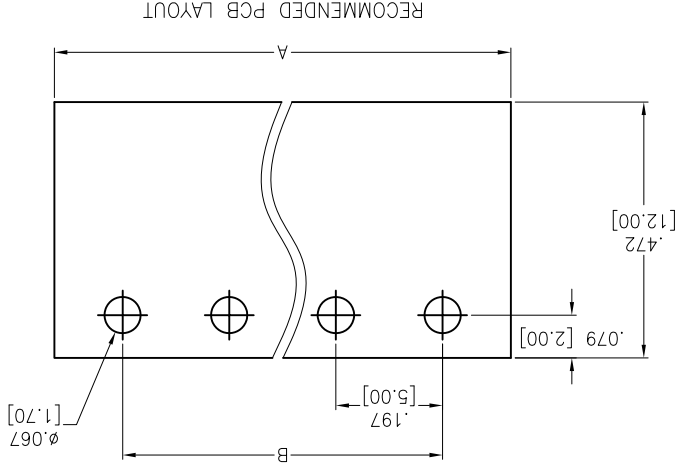


Rev	AWO #	Description	Date	Appr
-		RELEASED	4/8/15	

APPROVED: _____ DATE: _____
 TITLE: _____



Positions: 02 thru 24
 A = .197 [5.00] x No. of Positions + .055 [1.40]
 B = .197 [5.00] x No. of Spaces

SPECIFICATIONS:

Material: PA66, rated UL 94V-0
 Insulator color: Green
 Contacts: Brass, Tin plated
 Electrical:
 Voltage rated: 300 V
 Current rated: 15 A
 Contact resistance: 20 mΩ
 Insulation resistance: 500 MΩ @ 500 VDC
 Dielectric withstanding voltage: 2,000 VAC for 1 minute
 Temperature Rating:
 Operating temperature: -40°C to +105°C
 Environmental:
 Lead free, RoHS compliant.



UNLESS OTHERWISE SPECIFIED ALL DIMENSIONS ARE MM [INCHES] TOLERANCES: EXCEPT AS NOTED INCHES		APPROVALS	
X ±.10 ∅X ±.10	XX ±.020 ∅XX ±.015	DATE	
TOLERANCES: EXCEPT AS NOTED INCHES		4/8/15	HR
X ±.10 ∅X ±.10		4/8/15	NC
XX ±.020 ∅XX ±.015		4/8/15	APPROVED
REF: S00067C		SCALE: NTS	SHEET 1 OF 1
PART NO. EBOA-XX-C-C		SIZE X	REV. -
ADAM TECH 909 Rahway Avenue, Union, NJ 07083 Phone: 908-687-5000 Fax: 908-687-5710			
TITLE: .197 [5.00] PITCH, EURO BLOCK HEADER RIGHT ANGLE, CLOSE SIDE			

1 2 3 4 5 6

A

A

B

B

C

C

D

D

X-ON Electronics

Largest Supplier of Electrical and Electronic Components

Click to view similar products for [Pluggable Terminal Blocks](#) category:

Click to view products by [Adam](#) manufacturer:

Other Similar products are found below :

[57.404.7553](#) [57.504.0053.7](#) [57.510.0053](#) [57.910.6153](#) [01.112.1453](#) [CTB932VE/6](#) [MC 1.5/ 6-ST-3.5 GY AU](#) [ET02015000J0G](#) [734-104](#) [734-302](#) [734-304](#) [8-141-P](#) [FKCT 2.5/ 3-ST KMGY](#) [860505](#) [860508](#) [860516](#) [860810](#) [861908](#) [GBPACX-12](#) [93.731.4953.0](#) [PV05-5,08-K](#) [PVP02-5,00](#) [PVP04-3,50](#) [PVS02-5,00](#) [1-1986160-3](#) [H-10](#) [1546228-5](#) [ELFH09150](#) [ELFH16150](#) [ELFP03110](#) [ELFT06250](#) [ELFT07250](#) [ELVF09400](#) [ELVP03100](#) [ELXH03100](#) [ELXH071G0E](#) [ELXP041G0](#) [ELXT046G0](#) [1700101](#) [1700410](#) [1700425](#) [1703176](#) [1705229](#) [1710175](#) [1714537](#) [1717806](#) [1719600](#) [1729386](#) [1734692](#) [1734795](#)