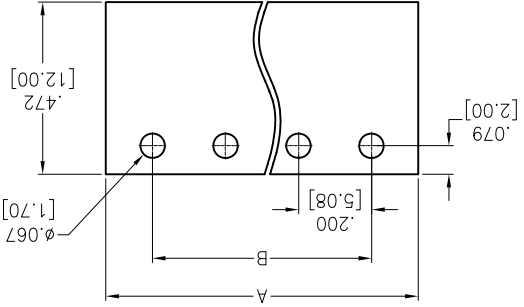


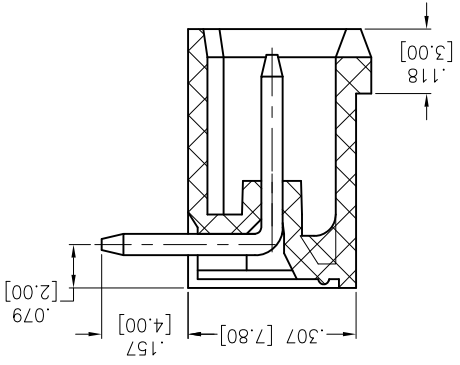
Rev	AWO #	Description	Date	Appr
-		RELEASED	8/28/14	

APPROVED: _____ DATE: _____

TITLE: _____



RECOMMENDED PCB LAYOUT



SPECIFICATIONS:

Material: PA66, rated UL 94V-0

Insulator color: Green

Contacts: Brass, Tin plated

Electrical:

Voltage rated: 300 VAC

Current rated: 15 Amps

Contact resistance: 20 mΩ

Insulation resistance: 500 MΩ @ 500 VDC

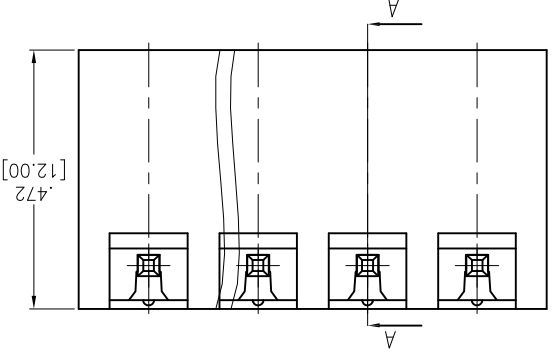
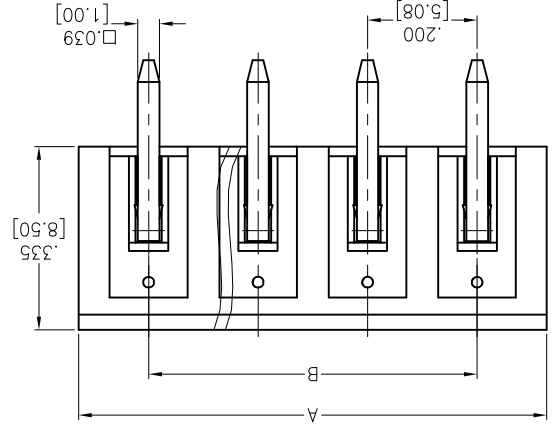
Withstanding voltage: 2000V AC/1 Min

Temperature Rating:

Operating temperature: -40°C to +105°C

Environmental:

Lead free, RoHS compliant.



Positions: 02 thru 24
 A = .200 [5.08] x No. of Positions + .055 [1.40]
 B = .200 [5.08] x No. of Spaces

UNLESS OTHERWISE SPECIFIED		APPROVALS	
ALL DIMENSIONS ARE MM [INCHES]		DATE	DATE
TOLERANCES: EXCEPT AS NOTED		AY	8/28/14
INCHES		YC	8/28/14
X	±.10		
XX	±.020		
XXX	±.015		
ØX	±.10		
ØXX	±.020		
ØXXX	±.015		
TITLE		SIZE	REV.
.200 [5.08] PITCH, EURO BLOCK HEADER		X	-
RIGHT ANGLE, CLOSE SIDE		PART NO.	
EBOA-XX-D-C		SCALE: NTS	
909 Rahway Avenue, Union, NJ 07083		REF: S00067C	
Phone: 908-687-5000 Fax: 908-687-5710		APPROVED	
ADAM TECH		CHECKED	
		APPROVED	

2

3

4

5

6

A

B

C

D

A

B

C

D

1

2

3

4

5

6

1

APPR

SHEET 1 OF 1

X-ON Electronics

Largest Supplier of Electrical and Electronic Components

Click to view similar products for [Pluggable Terminal Blocks](#) category:

Click to view products by [Adam](#) manufacturer:

Other Similar products are found below :

[57.404.7553](#) [57.504.0053.7](#) [57.510.0053](#) [57.910.6153](#) [01.112.1453](#) [CTB932VE/6](#) [MC 1.5/ 6-ST-3.5 GY AU](#) [ET02015000J0G](#) [734-104](#) [734-302](#) [734-304](#) [8-141-P](#) [FKCT 2.5/ 3-ST KMGY](#) [860505](#) [860508](#) [860516](#) [860810](#) [861908](#) [GBPACX-12](#) [93.731.4953.0](#) [PV05-5,08-K](#) [PVP02-5,00](#) [PVP04-3,50](#) [PVS02-5,00](#) [1-1986160-3](#) [H-10](#) [1546228-5](#) [ELFH09150](#) [ELFH16150](#) [ELFP03110](#) [ELFT06250](#) [ELFT07250](#) [ELVF09400](#) [ELVP03100](#) [ELXH03100](#) [ELXH071G0E](#) [ELXP041G0](#) [ELXT046G0](#) [1700101](#) [1700410](#) [1700425](#) [1703176](#) [1705229](#) [1710175](#) [1714537](#) [1717806](#) [1719600](#) [1729386](#) [1734692](#) [1734795](#)