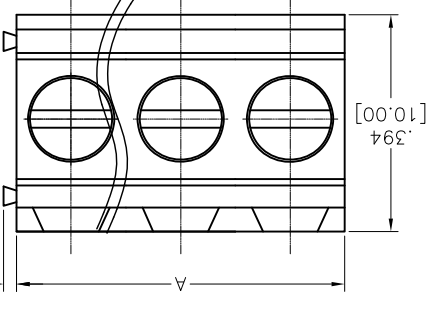
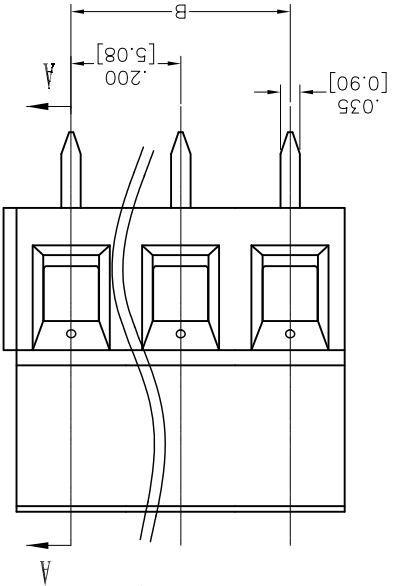
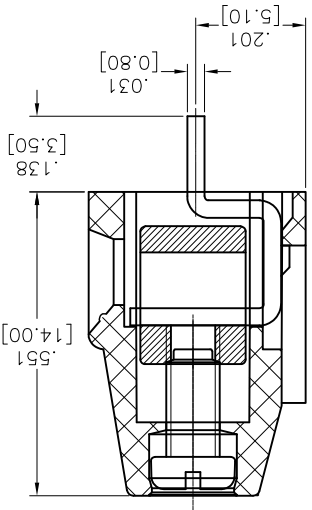


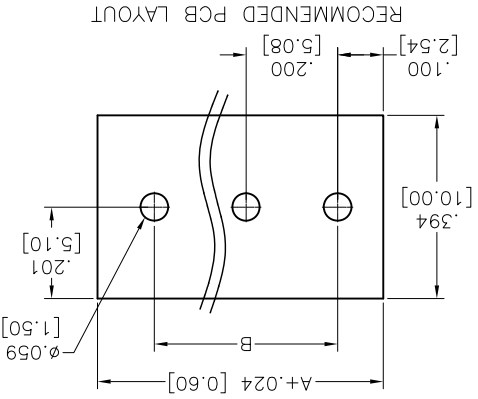


Lead free, RoHS compliant.
 Environmental:
 Operating temperature: -40°C to +105°C
 Temperature Rating:
 Strip Length: 6-7mm
 Torque: 0.4N-m, 3.6Lb-in
 Wire range: 30-14AWG, 1.5mm²
 Mechanical:
 Dielectric withstanding voltage: 2000 VAC for 1 minute
 Insulation resistance: 500 Mohms min @ 500 VDC
 Contact resistance: 20 mohms max
 Current rating: UL: 15 Amps max, IEC: 17.5 Amps max
 Operation voltage: UL: 300V max, IEC: 250V max
 Electrical:
 Pin Header: Brass, Tin plated
 Cage: Brass, Tin plated
 Screw: Steel, M2.5/Zinc plated
 Insulator color: Green
 Insulator: PA66, rated UL 94V-0

SPECIFICATIONS:
 Material:



Positions: 2 thru 24
 A = .200 [5.08] x No. of Positions
 B = .200 [5.08] x No. of Spaces



UNLESS OTHERWISE SPECIFIED		APPROVED	
ALL DIMENSIONS ARE INCHES [MM]		CHECKED	8/29/13
TOLERANCES: EXCEPT AS NOTED		DRAWN	8/29/13
INCHES		DATE	
X ±.10	ØX ±.10	APPROVALS	
.XX ±.020	ØXX ±.015	DATE	
.XXX ±.015	ØXXX ±.010		
SIZE X	REF: 900067C		
PART NO. EBVA-XX-D	SCALE: NTS		
REV. B	SHEET 1 OF 1		

ADAM TECH
 909 Rahway Avenue, Union, NJ 07083
 Phone: 908-687-5000 Fax: 908-687-5710

TERMINAL BLOCK, .200 [5.08] PITCH

Rev	AWO #	Description	Date	Appr
B		UPDATE SPEC.	1/29/15	AY/CH
A		REVISED PART NO.	1/16/14	HR
-		RELEASED	8/29/13	

APPROVED: _____ DATE: _____ TITLE: _____

X-ON Electronics

Largest Supplier of Electrical and Electronic Components

Click to view similar products for [Pluggable Terminal Blocks](#) category:

Click to view products by [Adam](#) manufacturer:

Other Similar products are found below :

[57.404.7553](#) [57.504.0053.7](#) [57.510.0053](#) [57.910.6153](#) [01.112.1453](#) [CTB932VE/6](#) [MC 1.5/ 6-ST-3.5 GY AU](#) [ET02015000J0G](#) [734-104](#) [734-302](#) [734-304](#) [8-141-P](#) [FKCT 2.5/ 3-ST KMGY](#) [860505](#) [860508](#) [860516](#) [860810](#) [861908](#) [GBPACX-12](#) [93.731.4953.0](#) [PV05-5,08-K](#) [PVP02-5,00](#) [PVP04-3,50](#) [PVS02-5,00](#) [1-1986160-3](#) [H-10](#) [1546228-5](#) [ELFP03110](#) [ELVP03100](#) [ELXH03100](#) [ELXP041G0](#) [ELXT046G0](#) [1700101](#) [1700410](#) [1700425](#) [1703176](#) [1703243](#) [1705229](#) [1710175](#) [1714537](#) [1717806](#) [1719600](#) [1728941](#) [1729386](#) [1734692](#) [1734795](#) [1736036](#) [1740194](#) [1740291](#) [1740628](#)